

REFERENCES

60170 – 3kW

60171 – 6kW

60172 – 9kW

60173 – 12kW

60174 – 18kW

COMPACT ELECTRIC HEATER*

TECHNICAL MANUAL. START-UP AND OPERATION · MANUAL TÉCNICO. ARRANQUE Y FUNCIONAMIENTO
MANUEL TECHNIQUE. MISE EN ROUTE ET FONCTIONNEMENT · TECHNISCHES HANDBUCH. INBETRIEBNAHME UND
BETRIEBSWEISE · MANUALE TECNICO. AVVIAMENTO E FUNZIONAMENTO · MANUAL TÉCNICO. ARRANQUE E
FUNCIONAMIENTO



CODE: 05470165

EDITION: 3

* Protected design and patent pending. Diseño protegido y patente en curso. Dessin ou modèle protégé et brevet en instance. Geschützte Design und zum Patent angemeldet. Disegno protetto e in attesa di brevetto. Projeto protegido e patente pendente.

1 INTRODUCTION

Thank you for purchasing the new COMPACT® Electric heat exchanger. The experience our company has gained over more than 25 years in the world of pool conditioning has been put to your service in this product.



INFORMATION

Please, read this manual carefully to ensure that your new heater will give you years of trouble free service. Remember that incorrect installation will affect your warranty.

Do not discard this manual, please, keep it for future reference.

It is recommended to take note of the following data:

**INSTALLER
COMPANY:**

**INSTALLER
TELEPHONE:**

**INSTALLATION
DATE:**

HEATER MODEL:

**HEATER SERIAL
NUMBER:**

**DEALER'S
STAMP**

**INSTALLER'S
STAMP**



WARNING

This heater must be installed in a dry weatherproof enclosure.
Operating temperature range: +5°C to +45°C
Max operating Humidity: 90% without condensation.

If the heater is not used for a long period of time (winter), it must be drained to prevent damage.

2 PRODUCT DESCRIPTION

This COMPACT® Electric heat exchanger is designed to accurately achieve the temperature desired on your pool or spa. It is always aware of the actual water temperature and desired one and reacts instantly thanks to its new electronic control, far more accurate than electro-mechanic ones.

The software that controls this unit is so powerful and accurate that even connects or disconnects single heating elements depending on the actual heating needs at every single time, so when you need to quickly heat the water, it will connect the full power of the unit, but once set point is reached, the unit will automatically manage heating elements to connect or disconnect them depending of heat demand.

You can see a detailed product parts overview on image 1.

3 INSTALLATION

This heater has many installation possibilities, but always respecting some guidelines.

3.1 POSITIONING

This heater can be installed on a horizontal surface or in a vertical one.

Holding claps are just to be rotated to the desired alignment. Remember, holding clamps are to be screw fixed securely to a firm flat wall or base. See images 2.



WARNING

Remember leaving sufficient clear space around the unit to ease pipe connections and servicing.

Unit can be positioned up to 20° angle respect to the vertical. See images 3.

When the unit is installed vertically, the water must always enter at the bottom. See images 4 and 6.

3.2 PIPING DETAILS

- The heater is ready to connect to a 63mm (external diameter) pipe work, but adapters are supplied to be able to connect to a 50mm (external diameter) piping system aswell.
- The heater should be installed at a low point in the filtration system.
- A check valve is recommended to prevent the heater from running out of water.
- A by-pass is also recommended to ensure a correct water flow through the heater.
- Heater must be installed after (downstream) the filter and before (upstream) chlorinator or any other water treatment device.



ATTENTION

Heater must be installed after (downstream) the filter and before (upstream) any water treatment device. Warranty void if not respected.

See image 5 and 6 for recommended installation.

3.3 ELECTRICAL CONNECTION

- Electrical connection must be carried out by a qualified professional in accordance with the country/regional requirements & regulations.
- Remove terminals cover to make the connections, See image 7.
- Install power supply cord according to images 8.



ATTENTION

Power supply must be fitted with a 30 mA. RCD (Residual-Current Device). Serious damages may occur both to heater and installation if not respected. Warranty void if not respected.

- All heaters are capable of a monophasic[†] (1Phase+Neutral 230V AC 50 Hz.) or triphasic (3Phase+Neutral 400V AC 50 Hz.) supply voltage. If monophasic supply, loom (supplied) connection is required. See images 9.

3.4 POWER REQUIREMENTS

HEATER MODEL	VOLTAGE (V)	AMP (A)	CABLE SECTION
3 kW	230 / 400	13 / 4	General rule for supply cable is 1mm ² section for each 5 amp for distances up to 20 meters, though this has to be checked and adapted for each installation and for lengths over 20 meters and always in accordance with the country/regional requirements & regulations.
6 kW	230 / 400	26 / 9	
9 kW	230 / 400	40 / 13	
12 kW	230 / 400	52 / 18	
18 kW	400	27	

3.5 ELECTRICAL DIAGRAM See image 10.

3.6 FLOW REQUIREMENTS

This heater is factory set to a water inlet on the right side and water outlet on the left. If final user needs is to reverse the water flow, see next chapters.



ATTENTION

Water flow through heater must never exceed 15 m³/hour. Warranty void if not respected.

If water flow above 15m³/h is present, a bypass has to be installed to reduce flow through heater.

The heater must detect water flow to operate. The minimum detectable water flow is 2,5m³/h.

3.7 WATER QUALITY REQUIREMENTS

Water quality must be within the following limits:

HCLO + CLO	4 ppm	ISOCIANURIC ACID:	Up to 100 ppm
PH:	6,0 – 8,0	CaCO3	Up to 250 ppm
CHLORIDES:	Up to 250 ppm	HBrO:	Up to 8 ppm



INFORMATION

If in doubt, consult an expert to check these water quality values.

[†] Except 18kW Heater. All other heaters can be connected on a monophasic or triphasic electrical supply.

3.8 CHANGING DEFAULT FLOW DIRECTION

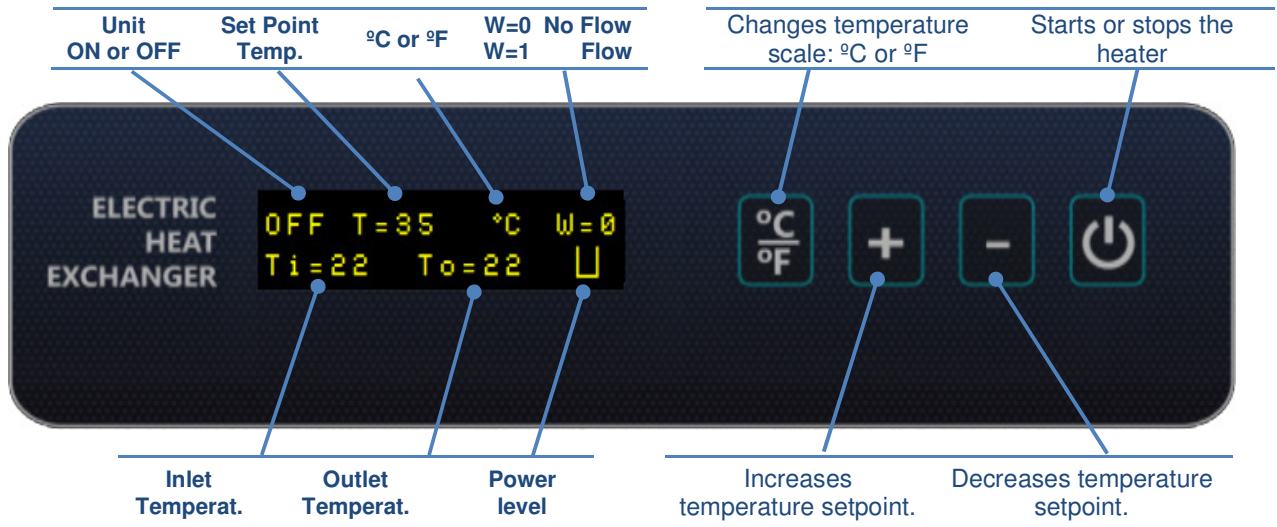
Factory default flow direction is from right to left. If changing default flow direction is needed follow the steps described on images 11.



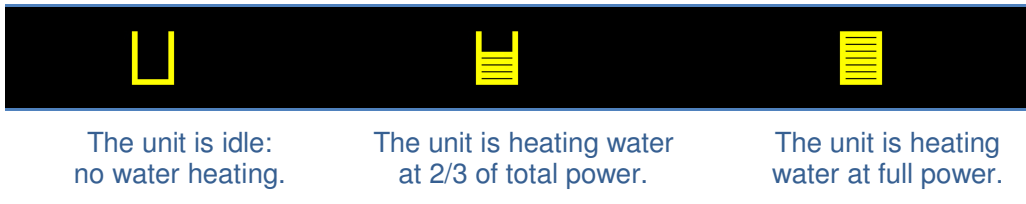
WARNING

Remember: if flowswitch is reversed, so has to be the connector of temperature probes. See images 13.

4 START-UP AND OPERATION



The unit will show if it is heating water by means of this icon on the lower right side of the screen:



Heating water at 2/3 of total power of the unit happens to achieve a soft start and when the water temperature is close to the set point to achieve a soft set point reach.

- Once installation of the heater is complete, connect electrical supply to the unit. The screen will display that the unit is off and that there is no water flow.
- Press “+” or “-“ buttons to set the desired set point temperature. If necessary press “°C/°F” button to set your preferred temperature scale.
- Then start the filtration pump to start water flow and purge the system of air. The screen will show that now there is water flow.
- Then press Start / Stop button, to activate the heater.
- At this point the heater will start heating water if water temperature is below set point. On the other hand, if water temperature is equal or greater than set point the unit will

```
OFF T=20 °C W=0
Ti=25 To=25 □
```

```
OFF T=35 °C W=0
Ti=25 To=25 □
```

```
OFF T=35 °C W=1
Ti=25 To=25 □
```

```
ON T=35 °C W=1
Ti=25 To=25 □
```

```
ON T=35 °C W=1
Ti=25 To=26 ■
```

remain idle.

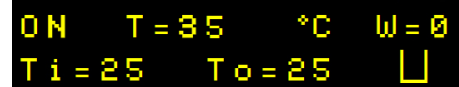
- 6) If the unit is heating water, it won't stop until set point is reached or heater is stopped.



ON T=35 °C W=1
Ti=35 To=35

5 TIME CLOCK

This heater can work aside a time clock. Just set the desired temperature on the heater and switch it on.



ON T=35 °C W=0
Ti=25 To=25

While the pump is idle, so will be the heater. When the filtration pump starts working the heater will detect it and will heat the water if needed.



ON T=35 °C W=1
Ti=25 To=26

6 TROUBLE SHOOTING

UNIT SCREEN DOES NOT LIGHT UP

CAUSE #1: Power failure external to the heater.
SOLUTION #1: Check and fix power supply.

CAUSE #2: Power PCB or logic PCB failure.
SOLUTION #2: Check and replace if necessary.

UNIT WORKS INTERMITTENTLY

CAUSE #1: Water flow near minimum value.
SOLUTION #1: Check water flow and increase it if necessary.

CAUSE #2: Water flow near minimum value due to dirt in filter.
SOLUTION #2: Back wash the filter to restore flow.

UNIT IS SWITCHED ON BUT IT IS NOT HEATING WATER

CAUSE #1: Check if temperature set point has been reached. If so, the unit is not heating water since water already has desired temperature:



ON T=35 °C W=1
Ti=35 To=35

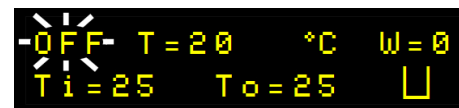
CAUSE #2: Check if there is water flow. If water flow is not detected by the heater, the unit is not allowed to heat water.



ON T=35 °C W=0
Ti=25 To=25

CAUSE #3: If thermal cut out has tripped: the unit will remain auto-off and wait until inlet & outlet temperatures fall below a normal value and a manual reset.

SOLUTION #3: Just wait until reset temperature is reached and power back on the unit.



OFF T=20 °C W=0
Ti=25 To=25

If this is proved to be the case, it has to be further investigated since thermal cut out only takes place at high water temperatures. For example, check for air bubbles on the system.

CAUSE #4: Flowswitch failure.

SOLUTION #4: Check if flow switch is working properly and replace if necessary.

RCD SWITCHES IMMEDIATELY AFTER POWERING ON THE HEATER

CAUSE #1: One or more triacs failure due to a high voltage peak from electrical supply.
SOLUTION #1: Replace triacs.

UNIT IS SWITCHED ON AND WORKIN BUT AFTER MANY TIME NO WARMER WATER APPRECIATED

CAUSE #1: Heating elements out of order.

SOLUTION #1: Check resistance between the poles of the heating elements. Replace if necessary.

7 PRODUCT RECYCLING



When this electrical heat exchanger reaches the end of its service life, it must not be treated as household waste.

By ensuring that this product is disposed correctly you will help to reduce the amount of electrical and electronic residues, thus contributing to conserve natural resources.

To act responsibly, two possibilities are available:

- Hand the product over to the distributor or reseller that sold the unit.
- Take personally the unit to the applicable collection point.

8 WARRANTY CERTIFICATE



INFORMATION

This electrical heat exchanger has a 2 year guarantee, from the date of purchase, against faulty workmanship and materials.

1. - WARRANTY COVERAGE

- 1.1 In accordance with these provisions, the salesman guarantees that the product corresponding to this warranty ("the product") does not present any non-conformance at the moment of its delivery.
- 1.2 The warranty period of the product is of two (2) years and it will take effect as of the time of delivery to the buyer.
- 1.3 If a Product non-conformance occurs and the buyer notifies it to the salesman during the Warranty Period, the salesman should repair or replace the Product at his own cost in the appropriate place, unless it is impossible or disproportionate.
- 1.4 When the Product cannot be repaired nor be replaced, the buyer shall be able to ask for a proportional price reduction or, if the non-conformance is sufficiently important, the discharge of the sales contract.
- 1.5 The replaced or repaired parts by virtue of this warranty will not extend the warranty term of the original Product, although they will have its own warranty.
- 1.6 For the effectiveness of this warranty, the buyer will have to credit the acquisition date and delivery date of the Product.
- 1.7 When the delivery of the Product to the buyer had been more than six months before and the buyer alleges non-conformance with the product, the buyer will have to prove the origin and existence of the alleged fault.
- 1.8 The present Warranty Certificate does not limit or prejudices the rights the consumers are entitled by virtue of local prevailing and applicable regulations.

2. - CONDITIONS TO WARRANTY

- 2.1 This warranty covers the products referred to in this manual.
- 2.2 For the effectiveness of this warranty, the buyer will have to strictly follow the manufacturer instructions included in the documentation enclosed with the Product, whenever this warranty is applicable according to the Product range and model.
- 2.3. When a calendar for the substitution, maintenance or cleaning of certain parts or components of the Product is specified, the Warranty will only be valid when the calendar has been observed.

3. - LIMITATIONS

- 3.1. This warranty will be solely applicable to those sales to consumers, being understood "consumers" as those people who acquire the Product with a purpose that does not fall within the scope of their professional activity.
- 3.2. No warranty is granted referred to the wear and tear caused by the use of the Product. In relation to the parts, components and/or consumable materials such as batteries, light bulbs etc; it will refer to the provisions of the documentation enclosed with the Product, when applicable.
- 3.3. The warranty does not cover those cases where the Product: (I) has been incorrectly treated; (II) has been repaired, maintained or manipulated by a nonauthorized person, or (III) has been repaired or maintained with non-original pieces.
- 3.4. When the non-conformance of the Product is a consequence of an incorrect installation or start-up, this warranty will only cover those installations or start-ups included in the contract of sale of the Product and carried out by the salesman or under his/her responsibility.

1 INTRODUCCION

Gracias por adquirir el nuevo intercambiador de calor eléctrico COMPACT®. La experiencia acumulada por nuestra compañía durante más de 25 años en el mundo de la climatización de piscinas ha sido puesta a su servicio en este producto.



INFORMACION

Por favor, lea detenidamente este manual para asegurar que su nuevo calentador le proporciona años de servicio sin problemas. Recuerde que una mala instalación anula la garantía.

No se deshaga de este manual, por favor, consérvelo para consultarlo en el futuro.

Se recomienda que anote los siguientes datos:

**EMPRESA
INSTALADORA:**

**TELEFONO DEL
INSTALADOR:**

**FECHA DE LA
INSTALACION:**

**MODELO DE
CALENTADOR:**

**Nº DE SERIE DEL
CALENTADOR:**

SELLO DEL DISTRIBUIDOR	SELLO DEL INSTALADOR
-----------------------------------	---------------------------------



AVISO

Este calentador ha de ser instalado en un recinto seco y protegido de la intemperie.

Rango de funcionamiento: +5°C a +45°C

Humedad máxima: 90% sin condensación.

Si el calentador no se va a utilizar durante un largo periodo de tiempo (invierno), debe ser drenado para evitar daños.

2 DESCRIPCION DEL PRODUCTO

Este intercambiador de calor eléctrico COMPACT® está diseñado para alcanzar con precisión la temperatura deseada en su piscina o spa. Siempre es consciente de la temperatura real del agua y de la temperatura deseada y reacciona al instante gracias a su nueva electrónica de control, mucho más precisa que los sistemas electro-mecánicos.

El software que controla este equipo es tan potente y preciso que incluso conecta y desconecta los elementos calefactores de forma individual dependiendo de las necesidades reales de calentamiento en cada instante, por lo que cuando se necesite calentar el agua rápidamente, el equipo se conectará a plena potencia; una vez que se ha alcanzado la temperatura de consigna, el equipo gestionará los elementos calefactores dependiendo de las pérdidas de calor.

Puede ver una descripción detallada de las partes del calentador en la imagen 1.

3 INSTALACION

Este calentador tiene varias posibilidades de instalación, pero siempre respetando ciertas reglas.

3.1 POSICIONAMIENTO

Este calentador puede instalarse en una superficie horizontal o vertical.

Las grapas de agarre han de ser colocadas de la forma deseada. Recuerde que las grapas de agarre han de ser fijadas de forma segura a una base o pared plana estable. Ver imágenes 2.



AVISO

Recuerde dejar suficiente espacio libre alrededor del equipo para facilitar tanto las conexiones hidráulicas como las asistencias técnicas.

El equipo puede instalarse con una inclinación de hasta 20° respecto de la vcal. Ver imágenes 3.

Si se instala de forma vcal, el agua debe entrar siempre por la parte inferior. Ver imágenes 4 y 6.

3.2 DETALLES DE TUBERIAS

- El calentador está preparado para conectar a tuberías de 63mm (diámetro exterior), pero se suministran adaptadores para conectar a tuberías de 50mm (diámetro exterior).
- El calentador debe instalarse en un punto bajo en el sistema de filtración.
- Se recomienda instalar un antirretorno para prevenir que el equipo se quede sin agua.
- Se recomienda instalar un by-pass para asegurar el caudal de agua por el equipo.
- El calantador ha de ser instalado después (aguas abajo) del filtro y antes (aguas arriba) del clorador o cualquier otro método de tratamiento del agua.



ATENCIÓN

El calantador ha de ser instalado después (aguas abajo) del filtro y antes (aguas arriba) de cualquier método de tratamiento del agua. Garantía nula si no se respeta.

Ver imagenes 5 y 6 de una instalación recomendada.

3.3 CONEXION ELECTRICA

- La connexion eléctrica debe ser llevada a cabo por un técnico cualificado, respetando las leyes y requerimientos del estado o país.
- Retire la tapa de bornas para realizar las conexiones eléctricas. Ver imagen 7.
- Instalar el cable eléctrico como se muestra en las imagenes 8.



ATENCION

La acometida eléctrica debe tener instalado un interruptor diferencial de 30mA. Serios daños pueden ocurrir tanto al calentador como a la instalación si no se respeta este punto. Garantía nula si no se respeta.

- Todos los calentadores pueden conectarse monofásicamente[‡] (1Fase+Neutro 230V AC 50 Hz.) o trifásicamente (3Fases+Neutro 400V AC 50 Hz.). Si se conecta de forma monofásica, ha de instalarse un puente (suministrado). Ver imagenes 9.

3.4 REQUERIMIENTOS DE POTENCIA

MODELO	VOLTAJE (V)	AMP (A)	SECCION DE CABLE
3 kW	230 / 400	13 / 4	Una regla general para el cable de alimentación es: 1mm ² de sección por cada 5 amperios para longitudes de cable de hasta 20 metros, aunque esta regla ha de ser verificada y adaptada para cada instalación y para longitudes de más de 20 metros y siempre de acuerdo con los requerimientos/regulaciones locales.
6 kW	230 / 400	26 / 9	
9 kW	230 / 400	40 / 13	
12 kW	230 / 400	52 / 18	
18 kW	400	27	

3.5 DIAGRAMA ELECTRICO Ver imagen 10.

3.6 REQUERIMIENTOS DE CAUDAL

Este calentador está configurado de fábrica con un sentido de flujo de agua de drcha a izqda. Si el usuario final necesita invertir el sentido del flujo de agua, consulte los siguientes capítulos



ATENCION

El flujo de agua a través del calentador nunca debe exceder los 15m³/hora. Garantía nula si no se respeta.

Si hay un flujo de agua mayor a 15m³/h, se ha de instalar un by-pass para reducir el flujo.

El calentador debe detectar flujo para funcionar. El flujo mínimo detectable es de 2,5 m³/hora.

3.7 REQUERIMIENTOS DE CALIDAD DEL AGUA

La calidad del agua ha de cumplir los siguientes valores:

HCLO + CLO	4 ppm	ACIDO ISOCIANURICO:	Up to 100 ppm
PH:	6,0 – 8,0	CaCO ₃	Up to 250 ppm
CLORUROS:	Up to 250 ppm	HBrO:	Up to 8 ppm



INFORMACION

Si tiene dudas consulte a un expert acerca de los valores de calidad del agua.

[‡] Excepto el calentador de 18kW. Todos los demás calentadores son capaces de conexión mono & trifásica.

3.8 CAMBIAR DIRECCION DEL FLUJO POR DEFECTO

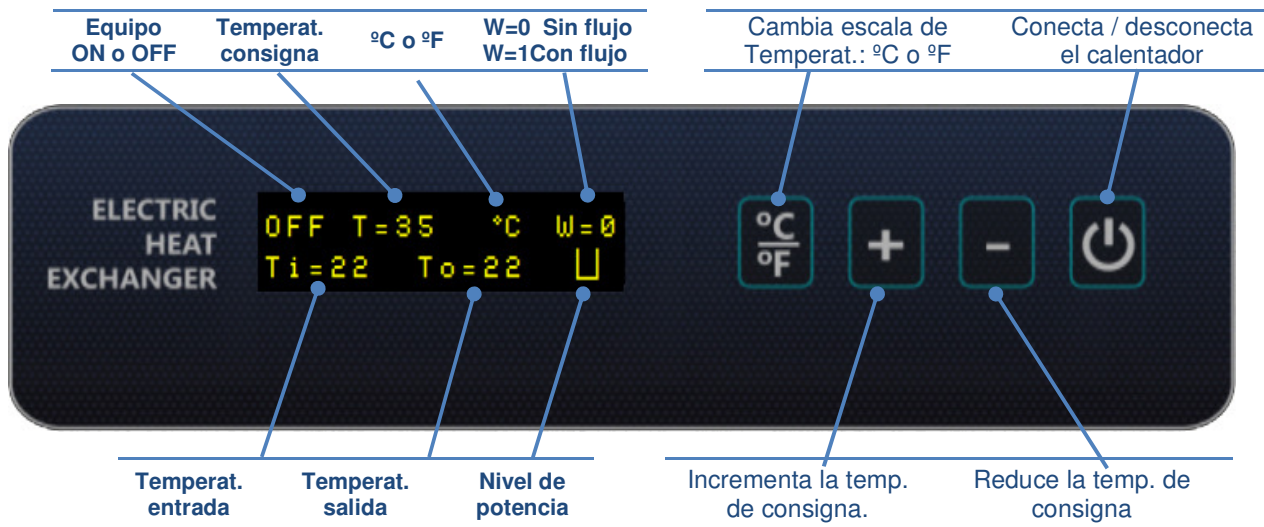
El sentido de flujo por defecto es de derecha a izquierda. Si se necesita cambiar el sentido del flujo de agua, siga detenidamente los pasos descritos en las imágenes 11.



AVISO

Recuerde que si se cambia el sentido del flujo de agua, también ha de cambiarse el conector de las sondas de temperatura, ver imágenes 13.

4 PUESTA EN MARCHA Y OPERACION



El equipo muestra si está calentando agua mediante un icono en la parte inferior derecha de la pantalla:



Calentar agua a 2/3 de la potencia total: se produce para realizar arranques suaves del equipo y cuando la temperatura del agua está cerca de la de consigna: llegada a consigna suave.

- 1) Una vez que se ha instalado el equipo, conectar electricamente. La pantalla se enciende mostrando que el equipo está OFF y que no hay flujo de agua.
- 2) Presionar “+” o “-” para fijar la temperatura del agua deseada. Presione “°C/°F” para fijar la escala de temperature deseada.
- 3) Arranque el sistema de filtración para iniciar el flujo de agua y eliminar el aire del sistema. La pantalla muestra que ahora hay flujo de agua.
- 4) Presione ON / OFF para activar el calentador.

```
OFF T=20 °C W=0
Ti=25 To=25 □
```

```
OFF T=35 °C W=0
Ti=25 To=25 □
```

```
OFF T=35 °C W=1
Ti=25 To=25 □
```

```
ON T=35 °C W=1
Ti=25 To=25 □
```


- 5) En este punto el calentador comenzará a calentar el agua si esta está por debajo de la temperatura de consigna. Por el contrario, si es mayor o igual que la temperatura de consigna, el equipo permanecerá a la espera.
- 6) Si el equipo está calentando agua, no parará hasta que alcance la temperatura de consigna o hasta que sea desconectado.

5 RELOJ HORARIO

Este equipo puede trabajar junto a un reloj horario. Simplemente ajuste la temperatura de consigna deseada en el calentador y actívelo.

Mientras la filtración esté parada, también lo estará el calentador. Cuando la filtración trabaje, el calentador lo detectará y calentará el agua si es necesario.

6 SOLUCION DE PROBLEMAS

LA PANTALLA DEL EQUIPO NO SE ENCIENDE

CAUSA #1: Fallo eléctrico externo al equipo.
SOLUCION #1: Verificar y reparar suministro.

CAUSA #2: Fallo en tarjetas electrónicas.
SOLUCION #2: Revisar y reemplazar si necesario.

EL EQUIPO CALIENTA INTERMITENTEMENTE

CAUSA #1: Flujo de agua cerca del valor mínimo.
SOLUCION #1: Verificar el flujo de agua e incrementarlo si necesario.

CAUSA #2: Flujo de agua cerca del valor mínimo debido a suciedad en filtro
SOLUCION #2: Limpiar el filtro.

EQUIPO CONECTADO PERO NO CALIENTA EL AGUA

CAUSA #1: Verificar si se ha alcanzado la temp de consigna. Si se ha alcanzado, el equipo no calienta el agua puesto que ya ha alcanzado la temperatura deseada:

CAUSA #2: Verificar si hay flujo de agua. Si no hay flujo de agua al equipo no le está permitido calentar el agua.

CAUSA #3: Si se ha activado el termolimitador: El equipo permanecerá off hasta que las temperaturas de entrada y salida del agua se equilibren y se rearme manualmente.
SOLUCION #3: Esperar hasta que las temperaturas se equilibren y rearmar.

Si se confirma esta causa, ha de ser investigado en profundidad ya que esto sólo se produce a altas temperaturas del agua. Por ejemplo, comprobar si hay burbujas de aire en el sistema.

CAUSA #4: Fallo del flujostato.

SOLUCION #4: Comprobar si el flujostato trabaja correctamente y reemplazar si es necesario.

INTERRUPTOR DIFERENCIAL ACTUA INMEDIATAMENTE DESPUES DE CONECTAR EL CALENTADOR

CAUSA #1: Uno o más de los triacs ha fallado por una sobretensión del suministro eléctrico.
SOLUCION #1: Reemplazar el / los triacs

EL EQUIPO SE CONECTA Y CALIENTA PERO NO SE APRECIA SUBIDA DE TEMPERATURA TRAS VARIAS HORAS

CAUSA #1: Elementos calefactores averiados.

SOLUCION #1: Verificar la resistencia entre los polos de los elementos calefactores.

Reemplazar si es necesario.

7 RECICLAJE DEL PRODUCTO



Cuando este calentador eléctrico acabe su vida útil, no debe ser tratado como residuos domésticos.

Al asegurarse de que este producto se desecha correctamente, ayudará a reducir la cantidad de residuos eléctricos y electrónicos, lo que contribuye a conservar los recursos naturales.

Para actuar con responsabilidad hay dos posibilidades:

- Entregar el producto al distribuidor o vendedor al cual compró el equipo.
- Llevar el producto a un punto de recogida selectiva de su localidad o punto limpio.

8 CERTIFICADO DE GARANTIA



INFORMACION

Este intercambiador de calor eléctrico tiene una garantía de 2 años, a partir de la fecha de compra, contra mano de obra y materiales de fabricación

1. – COBERTURA DE LA GARANTIA

- 1.1 De acuerdo con estas disposiciones, el vendedor garantiza que el producto correspondiente a esta garantía ("el producto") no presenta ninguna falta de conformidad en el momento de su entrega.
- 1.2 El período de garantía para el producto es de dos (2) años, y se calculará desde el momento de entrega al comprador.
- 1.3 Si se produjera una falta de conformidad del Producto y el comprador lo notificase al vendedor durante el Período de Garantía, el vendedor deberá reparar o sustituir el Producto a su propio coste en el lugar donde considere oportuno, salvo que ello sea imposible o desproporcionado.
- 1.4 Cuando no se pueda reparar ni sustituir el Producto, el comprador podrá solicitar una reducción proporcional del precio o, si la falta de conformidad es suficientemente importante, la resolución del contrato de venta.
- 1.5 Las partes sustituidas o reparadas en virtud de esta garantía no ampliarán el plazo de la garantía del Producto original, si bien dispondrán de su propia garantía.
- 1.6 Para la efectividad de la presente garantía, el comprador deberá acreditar la fecha de adquisición y entrega del Producto.
- 1.7 Cuando hayan transcurrido más de seis meses desde la entrega del Producto al comprador y éste alegue falta de conformidad de aquél, el comprador deberá acreditar el origen y la existencia del defecto alegado.
- 1.8 El presente Certificado de Garantía no limita o prejuzga los derechos que correspondan a los consumidores en virtud de normas nacionales de carácter imperativo.

2. – CONDICIONES PARTICULARES

- 2.1. La presente garantía cubre los productos a que hace referencia este manual.
- 2.2. Para la eficacia de esta garantía, el comprador deberá seguir estrictamente las indicaciones del fabricante incluidas en la documentación que acompaña al Producto, cuando ésta resulte aplicable según la gama y modelo del Producto.
- 2.3. Cuando se especifique un calendario para la sustitución, mantenimiento o limpieza de ciertas piezas o componentes del Producto, la Garantía sólo será válida, cuando se haya seguido dicho calendario correctamente.

3. - LIMITACIONES

- 3.1. La presente garantía únicamente será de aplicación en aquellas ventas realizadas a consumidores, entendiéndose "consumidor", aquella persona que adquiere el Producto con fines que no entran en el ámbito de su actividad profesional.
- 3.2. No se otorga ninguna garantía respecto del normal desgaste por uso del Producto. En relación con las piezas, componentes y/o materiales fungibles o consumibles como pilas, bombillas etc, se estará a lo dispuesto en la documentación que acompañe al Producto, en su caso.
- 3.3. La garantía no cubre aquellos casos en que el Producto: (I) haya sido objeto de un trato incorrecto; (II) haya sido reparado, mantenido o manipulado por persona no autorizada o (III) haya sido reparado o mantenido con piezas no originales.
- 3.4. Cuando la falta de conformidad del Producto sea consecuencia de una incorrecta instalación o puesta en marcha, la presente garantía sólo responderá cuando dicha instalación o puesta en marcha esté incluida en el contrato de compra-venta del Producto y haya sido realizada por el vendedor o bajo su responsabilidad.

1 REMARQUES IMPORTANTES

Merci pour votre achat du nouvel échangeur de chaleur électrique COMPACT®. L'expérience accumulée par notre société depuis plus de 25 ans dans le monde du chauffage de la piscine a été mis à votre disposition sur ce produit.



INFORMATION

S'il vous plaît veuillez lire attentivement ce manuel afin de s'assurer que votre nouvel appareil fonctionnera sans problème pendant des années. Rappelez-vous que l'installation incorrecte annule la garantie.

Garder s.v.p. ce manuel pour référence future

S.v.p. notez des dates suivantes:

INSTALLATEUR:

TÉLÉPHONE INSTALLATEUR:

DATE DE L'INSTALLATION:

**MODÈLE
ÉCHANGER DE CHALEUR:**

NUMÉRO DE SÉRIE:

**TIMBRE
DISTRIBUTEUR**

**TIMBRE
INSTALLATEUR**



AVIS

Cet échangeur de chaleur doit être installé dans un compartiment sec et protégé de l'imtempérie.

Champ de fonctionnement: +5°C à +45°C

Humidité maximale: 90% sans condensation.

Si l'échageur ne s'utilise pas pendant une certaine période de temps (hiver), il doit être drainé pour éviter dégâts.

2 DESCRIPTION DU PRODUIT

Cet échangeur de chaleur électrique compact ® est conçu pour obtenir avec précision la température désirée dans votre piscine ou votre spa. Il est toujours au courant de la température réelle de l'eau et de la température souhaitée et réagit instantanément grâce aux nouveaux composants électroniques de contrôle, beaucoup plus précis que les systèmes électromécaniques.

Le software qui contrôle cette équipe est tellement puissant et précis qui active et désactive les éléments de chauffage individuellement en fonction des besoins réels de chauffage à chaque instant, donc quand est nécessaire le chauffage de l'eau rapidement, l'appareil se connecte à pleine puissance; une fois qu'il aura atteint la température fixe, l'appareil gère les éléments chauffants en fonction des pertes de chaleur.

Vous pouvez consulter une description détaillée des parties d'échangeur de chaleur électrique dans la figure 1.

3 INSTALLATION

Ce échangeur de chaleur dispose de plusieurs options pour l'installation, mais toujours en respectant certaines règles.

3.1 POSITIONNEMENT

C'échangeur de chaleur peut être installé dans une surface horizontale ou verticale. Les agrafes de prise doivent être placées de la façon souhaitée. Rappelez s.v.p. que les agrafes doivent être fixées solidement à une base ou mur plat et stable. Voir les images 2.



AVIS

N'oubliez pas de laisser un espace suffisant autour de l'appareil pour faciliter à la fois les connexions hydrauliques que l'assistance technique.

L'appareil peut être monté à un angle de jusqu'à 20 ° de la verticale. Voir les images 3.

Lorsqu'il est installé verticalement, l'eau doit toujours entrer par le bas. Voir les images 4 et 6.

3.2 DÉTAIL DES TUYAUX

- L'échangeur de chaleur est prévu pour être connecter a conduites de 63mm (diamètre extérieur), mais on fourni adaptateurs pour relier a les tuyaux de 50 mm (diamètre extérieur).
- L'échangeur de chaleur doit être installé en un point bas dans le système de filtration.
- Il est recommandé d'installer un clapet anti-retour pour éviter que manque d'eau à l'équipe.
- Il est recommandé d'installer un by-pass pour assurer l'flux d'eau par l'équipe.
- L'échangeur de chaleur doit être installé après (eaux en dessous) le filtre et avant (eaux en amont) la chloration ou autre méthode de traitement de l'eau.



ATTENTION

L'échangeur de chaleur doit être installé après (eaux en dessous) le filtre et avant (eaux en amont) de n'importe quelle méthode de traitement de l'eau. La garantie est annulée si ces instructions d'installation ne sont pas suivies.

Voir les images 5 et 6 de l'installation recommandée.

3.3 CONNEXION ÉLECTRIQUE

- La connexion électrique doit être effectuée par un personnel qualifié, conformément aux lois et aux exigences de l'état ou pays.
- Retirez le couvercle des bornes pour établir des connexions électriques. Voir l'image 7.
- Installez le câble d'alimentation comme indiqué dans les photos 8.



ATTENTION

Le branchement électrique doit avoir un RCD de 30 mA. Des dommages importants peuvent se produire à l'échanger de chaleur et à l'installation si ce point est ignoré. La garantie est annulée si ce n'est pas respecté.

- Tous les appareils peuvent se connecter monophasé § (1Phase+Neutre 230V AC 50 Hz.) ou triphasé (3Phases+Neutre 400V AC 50 Hz.). S'il se connecte monophasé, un pont doit être installé (fourni). Voir les images 9.

3.4 PUISSANCE REQUISE

MODELE	VOLTAGE (V)	AMP (A)	SECTION CABLE
3 kW	230 / 400	13 / 4	Une règle générale pour le câble d'alimentation est: 1mm ² se section par chaque 5 ampères pour des longueurs de câble jusqu'à 20 mètres, bien que cette règle doit être vérifiée et adaptée à chaque installation et aux longueurs de câble de plus de 20 mètres et être toujours en accord avec les exigences / règlements locaux.
6 kW	230 / 400	26 / 9	
9 kW	230 / 400	40 / 13	
12 kW	230 / 400	52 / 18	
18 kW	400	27	

3.5 SCHÉMA ÉLECTRIQUE

Voir Figure 10.

3.6 EXIGENCES DE DÉBIT DE L'EAU

Cet échangeur de chaleur est réglé en usine avec le sens d'écoulement de l'eau de droite à gauche. Si le client final a besoin d'inverser le sens d'écoulement de l'eau, voir les chapitres suivants.



ATTENTION

Le débit d'eau dans l'échangeur de chaleur ne doit jamais excéder 15m³/heure. La garantie est automatiquement annulée si ce n'est pas respecté.

S'il existe un débit d'eau supérieur à 15 m³ / h, un by-pass doit être installé pour réduire le débit.

L'échangeur de chaleur doit détecter le débit d'eau pour fonctionner. Le débit minimal détectable pour l'appareil est 2,5 m³ / h

3.7 EXIGENCES EN MATIÈRE DE QUALITÉ DE L'EAU

La qualité de l'eau doit respecter les valeurs suivantes:

HCLO + CLO	4 ppm	ACIDE ISOCYANIQUE	Up to 100 ppm
PH:	6,0 – 8,0	CaCO ₃	Up to 250 ppm
CHLORURES:	Up to 250 ppm	HBrO:	Up to 8 ppm



INFORMATION

En cas de doute, consultez un expert sur les valeurs de qualité de l'eau.

§ Sauf l'échangeur de chaleur de 18kW, tous les autres appareils de chauffage sont capables de connexion monophasé et triphasé.

3.8 CHANGEMENT DE DIRECTION DE L'ÉCOULEMENT PAR DEFAULT

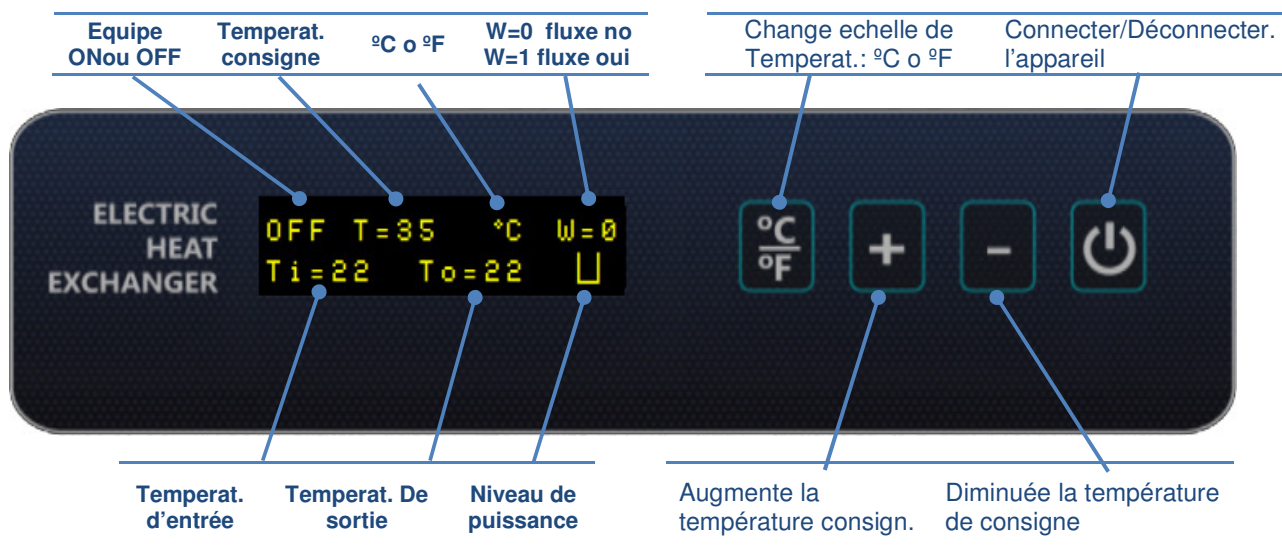
Le sens d'écoulement par défaut est de droite à gauche. Si vous avez besoin de changer le sens d'écoulement de l'eau, suivez attentivement les étapes décrites dans les images 11.



AVIS

N'oubliez pas que si vous changez le sens de l'écoulement de l'eau, doit aussi changer le connecteur des sondes de température.

4 DEMARRAGE ET FONCTIONNEMENT



L'équipe indique si l'eau se réchauffe par une icône dans le coin inférieur droit de l'écran:



Chauffer eau à 2/3 de la puissance totale se réalise pour obtenir un démarrage doux de l'équipement et lorsque la température de l'eau est proche de la température consigne: Arrivée a température consignée doucement.

- 1) Une fois que l'équipement est installé, connectez-le électriquement. L'écran s'allume montrant que l'appareil est OFF et qu'il n'y a pas d'écoulement d'eau.
- 2) Appuyez "+" ou "-" pour régler la température d'eau souhaitée. Appuyez "°C/°F" pour déterminer l'échelle de température désirée.
- 3) Connecter le système de filtration pour démarrer l'écoulement de l'eau et éliminer l'air du système. L'écran indique qu'il ya maintenant le débit d'eau.
- 4) Appuyez ON / OFF pour activer le dispositif de chauffage.
- 5) A ce stade, le dispositif de chauffage commence à chauffer l'eau si sa température est inférieure à la température de consigne. Au contraire, si est supérieure ou égale à la température de consigne, l'équipe va continuer à attendre.

OFF T=20 °C W=0
Ti=25 To=25 □

OFF T=35 °C W=0
Ti=25 To=25 □

OFF T=35 °C W=1
Ti=25 To=25 □

ON T=35 °C W=1
Ti=25 To=25 □

ON T=35 °C W=1
Ti=25 To=26 ■

- 6) Si l'appareil est chauffant l'eau, ne s'arrêtera pas jusqu'à ce qu'elle atteigne la température de consigne ou jusqu'à ce qu'il soit déconnecté.

5 RÉGLAGE DE L'HEURE

Cette équipe peut travailler avec une horloge. Il suffit de régler la température de consigne souhaitée à l'échanger de chaleur et l'activée.

Alors que la filtration est arrêtée, également le dispositif de chauffage est aussi arrêté. Quand la filtration travail, le dispositif de chauffage le détecte et chauffe l'eau si nécessaire.

6 SOLUTION DE PROBLÈMES

L'ÉCRAN DE L'ÉQUIPE NE S'ALLUME PAS

CAUSE #1: Défaillance électrique externe à l'équipe.

CAUSE #2: Panne cartes électroniques.

SOLUTION #1: Vérifier et réparer la panne électrique.

SOLUTION #2: Vérifier et remplacer si nécessaire.

L'ÉQUIPE CHAUF IN INTERMITTANCE

CAUSE #1: Le débit d'eau près de la valeur minimal.

CAUSE #2: L'écoulement d'eau près de la valeur minimal due à un filtre sale.

SOLUTION #1: Vérification de l'écoulement de l'eau, et l'augmenter si nécessaire.

SOLUTION #2: Nettoyez le filtre.

ÉQUIPEMENT CONNECTÉ MAIS CHAUFFE PAS L'EAU

CAUSE #1: Vérifiez s'il a atteint la température de consigne. Si elle a atteint, l'appareil ne chauffe pas l'eau étant donné qu'il a atteint la température souhaitée.

CAUSE #2: Vérifiez le débit d'eau. S'il n'y a pas d'écoulement de l'eau n'est pas permis à l'équipement de chauffer l'eau.

CAUSE #3: Si le thermo-limiteur est activé: L'équipe restera sans travailler jusqu'à les températures d'entrée et de sortie de l'eau soient en équilibre.

SOLUTION #3: Attendez que les températures s'équilibrent.

Si cette cause est confirmée, on doit étudiée en profondeur la situation, car cela se produit uniquement à des températures élevées de l'eau. Par exemple, vérifier les bulles d'air dans le système.

CAUSE #4: Panne du commutateur d'écoulement.

SOLUTION #4: Vérifiez si le commutateur fonctionne correctement et remplacer si nécessaire.

L'INTERRUPTEUR DIFFÉRENTIEL AGIT IMMÉDIATEMENT APRES DE CONNECTER L'APPAREIL

CAUSE #1: Un ou plusieurs triacs a échoué par une haute puissance

SOLUTION #1: Remplacer le/les triodes pour courant alternatif (triac)

L'ÉQUIPEMENT SE CONNECTE ET CHAUFFE MAIS APRES PLUSIEURS HEURES NE S'MARQUE PAS QUE LA TEMPÉRATURE MONTE.

CAUSE #1: Éléments de chauffage défectueux.

SOLUTION #1: Vérifier la résistance entre les poles des éléments chauffants. Remplacer si nécessaire.

7 RECYCLAGE DU PRODUIT



Lorsque cet appareil de chauffage électrique finalise son utilité ne doit pas être traitée comme un déchet ménager.

En s'assurant que ce produit est correctement recyclé, vous contribuez à réduire la quantité de déchets électriques et électroniques, contribuant à préserver les ressources naturelles.

Pour agir de façon responsable, il ya deux possibilités:

- Fournir le produit au distributeur ou revendeur auprès duquel vous avez acheté l'équipement.
- Porter le produit à un point de collecte dans votre localité.

8 CERTIFICAT DE GARANTIE



INFORMATION

Cet échangeur de chaleur électrique a une garantie de 2 ans à compter de la date d'achat, valide pour matériaux de fabrication et temps du travail.

1 GÉNÉRALITÉS

- 1.1 En accord avec ces dispositions, le vendeur garantit que le produit correspond à cette garantie ("le produit"), ne présente aucun défaut au moment de sa livraison.
- 1.2 La période de garantie pour le produit est de deux (2) ans, et cette période est calculée à partir du moment de la livraison à l'acheteur.
- 1.3 Pour toute non-conformité du produit notifiée au vendeur pendant la période de garantie, le vendeur devra réparer ou remplacer le produit à ses propres frais, à l'endroit qu'il jugera opportun, sauf si cela est impossible.
- 1.4 Si le produit ne peut être réparé ou remplacé, l'acheteur pourra exiger une réduction proportionnelle du prix ou si la non-conformité est suffisamment importante, il pourra demander l'annulation du contrat de vente.
- 1.5 Les parties remplacées ou réparées en vertu de cette garantie ne prolongeront pas la durée de la garantie du produit originale.
- 1.6 Pour profiter de cette garantie, l'acheteur devra présenter la date d'acquisition et de la remise du produit.
- 1.7 Six mois après la remise du produit à l'acheteur, si celui-ci allègue un manque de conformité de celui-ci, l'acheteur devra accréditer l'origine et l'existence du défaut du produit.
- 1.8 Ce certificat de garantie ne limite pas les droits du consommateur, en vertu des normes nationales applicables.

2 CONDITIONS PARTICULIÈRES

- 2.1 La présente garantie couvre tous les produits mentionnés dans ce manuel.
- 2.2 Pour l'efficacité de cette garantie, l'acheteur devra suivre strictement les indications du fabricant incluses dans la documentation qui accompagne ce produit, applicable selon la gamme et le modèle du produit.
- 2.3 Lorsqu'un délai est établi pour le remplacement, l'entretien ou le nettoyage de certaines pièces ou composant du produit, la garantie sera uniquement valide si ce délai est correctement suivi.

3 RESTRICTIONS

- 3.1 La présente garantie est en vigueur uniquement lorsque les ventes sont réalisées à des consommateurs, le terme "consommateur", désigne ici la personne qui acquiert le produit à des fins qui ne sont pas comprise dans le cadre de son activité professionnelle.
- 3.2 Aucune garantie ne couvre l'usure normale du produit, due à son utilisation. Quant aux pièces, composants et/ou matière consommable tel que les piles, les ampoules, etc., il faudra s'en tenir à ce qui est établi dans la documentation qui accompagne le produit, le cas échéant.
- 3.3 La garantie ne couvre pas les situations suivantes : le produit (I) a fait l'objet d'un traitement incorrect ; (II) a été réparé, entretenu ou manipulé par des personnes non autorisées ou (III) a été réparé ou entretenu avec des pièces non originales.
- 3.4 Lorsque la non-conformité du produit découle d'une installation ou d'une mise en route incorrecte, la présente garantie sera valable uniquement si cette installation ou mise en route est incluse dans le contrat de vente du produit et lorsque qu'elles ont été réalisées par le vendeur ou sous sa responsabilité.

1 EINLEITUNG

Vielen Dank dass Sie sich für den neuen, elektrischen Wärmetauscher COMPACT® entschieden haben. Die durch unsere Firma in mehr als 25 Jahren gesammelte Erfahrung in der Welt der Klimatisierung von Schwimmbädern, widerspiegelt sich in diesem Produkt.



INFORMATION

Lesen Sie sorgfältig diese Bedienungsanleitung durch um einen jahrelangen und reibungslosen Service Ihres neuen Wärmetauschers sicherzustellen. Denken Sie daran, dass eine unangemessene Installation den Garantie-Anspruch annulliert.

Werden Sie diese Anleitung nicht los. Bewahren Sie es für künftige Anfragen auf.

Schreiben Sie folgende Angaben auf:

**INSTALLATEUR /
UNTERNEHMEN:**

TEL. INSTALLATEUR:

DATUM DER INSTALLATION:

WÄRMETAUSCHER / MODEL:

**SERIEN-NUMMER DES
WÄRMETAUSCHERS:**

**STEMPEL
VERTRIEBSPARTNER**

**STEMPEL
INSTALLATEUR**



VORSICHT

Dieser Wärmetauscher muss zwingend im trockenen, vor Witterungsbeeinträchtigungen geschützt, im Innenbereich installiert werden.

Funktionsbereich: +5°C bis +45°C

Maximale Feuchtigkeit: 90% ohne Kondenswasser.

Sollte der Wärmetauscher lange Zeit nicht benötigt werden (Winter), so muss dieser entwässert werden um Schäden zu meiden..

2 PRODUKT-BESCHREIBUNG

Dieser COMPACT®-Wärmetauscher wurde konzipiert um mit hoher Präzision die gewünschte Temperatur Ihres Swimmingpools oder SPA's zu erreichen. In jedem Moment ist dem Gerät die tatsächliche, sowie die gewünschte Wassertemperatur bewusst und reagiert augenblicklich dank seiner neuen Kontrol-Elektronik. Viel präziser als die elektro-mechanischen Systemen.

Die steuernde Software dieses Geräts ist dermassen mächtig und präzise, dass es sogar die Heiz-Elementen unabhängig von einander und je nach realem Heiz-Bedarf im richtigen Zeitpunkt ein- und ausschaltet. Liegt das Bedürfnis vor, das Wasser so schnell wie möglich aufzuheizen, so schaltet sich das Gerät mit voller Leistung ein. Sobald die gewünschte Zieltemperatur erreicht wird, schaltet das Gerät im selbst-management die Heiz-Elementen abhängig vom Wärmeverlust des Wassers ein und aus.

Eine detaillierte Komponenten-Beschreibung des Wärmetauschers ist auf Bild 1 ersichtlich.

3 INSTALLATION

Mit diesem Wärmetauscher sind mehrere Installations-Varianten möglich, allerdings sind dabei einige Regeln zu befolgen:

3.1 POSITIONIERUNG

Dieser Wärmetauscher kann sowohlhorizontal wie auch vertikal installiert werden.

Die Greifzangen müssen dementsprechend plaziert werden. Vergewissern Sie sich, dass die Greifzangen auf einer stabilen, flachen Ebene oder Mauer fixiert werden. Siehe Bild 2.



VORSICHT

Vergewissern Sie sich genügend Freiraum zu lassen für hydraulische und elektrische Anschlüsse, sowie für eventuelle, künftige Eingriffe; z.B. Pannendienst.

Das Gerät kann mit einer Neigung von bis zu 20° gegenüber der Vertikalen installiert werden. Siehe Bild 3.

Wird das Gerät vertikal installiert, so ist der Wasser-Eingang IMMER unten. Siehe Bilder 4 und 6.

3.2 DETAILS DER HYDRAULISCHEN LEITUNGEN

- Der Wärmetauscher ist für Anschlüsse von einem Innen-Ø von 63 mm werksseitig ausgerichtet, aber es können die mitangelieferten Adapter-Anschlüsse angeschlossen werden für Installationen von einem Innen-Ø von 50 mm.
- Das Gerät muss beim tiefstmöglichen Punkt des Filtrations-Systems installiert werden.
- Eine Rücklaufsperrre ist unbedingt empfohlenum Wassermangel am Gerät zu meiden.
- Ein By-Pass ist empfohlen zur Sicherstellung vomWasserdurchfluss durchs Gerät.
- Der Wärmetauscher muss nach der Filtrationspumpe installiert werden (flussabwärts) und vor der Wasserbehandlungs-Anlage (flussaufwärts).



ACHTUNG

Der Wärmetauscher muss nach der Filtrationspumpe installiert werden (flussabwärts) und vor der Wasserbehandlungs-Anlage (flussaufwärts).

Siehe Bilder 5 und 6 einer empfohlenen Installation.

3.3 ELEKTRISCHER ANSCHLUSS

- Der elektrische Anschluss muss von einem qualifizierten Fachtechniker durchgeführt werden unter den aktuell geltenden Landes- oder Regions-Gesetzen und -Normen.
- Entfernen Sie den Klemmleisten-Deckel zur Vollbringung der Anschlüsse. Siehe Bild 7.
- Das elektrische Kabel muss gemäss der Sequenz-Bilder-Reihe 8 installiert werden.



ACHTUNG

Die Hausanschlussleitung muss eine 30mA Differentialsperre haben. Ernste Schäden können am Wärmetauscher und/ oder an der Installation entstehen sollte dieser Punkt nicht beachtet werden. Garantie-Anspruch entfällt bei Nichtbeachtung.

- Jedes Modell kanneinphasig** (1Phase+Neutralleiter 230V AC 50Hz) sowie dreiphasig(3Phasen+Neutralleiter 400V AV 50Hz) angeschlossen werden. Bei einphasigem Anschluss muss die Überbrückung (angeliefert) installiert werden. Siehe Bilder 9.

3.4 LEISTUNGSANFORDERUNGEN

MODELL	SPANNUNG (V)	AMP (A)
3 kW	230 / 400	13 / 4
6 kW	230 / 400	26 / 9
9 kW	230 / 400	40 / 13
12 kW	230 / 400	52 / 18
18 kW	400	27

KABELABSCHNITT

Eine Grundregel beim Einspeisungskabel ist: 1mm² Abschnitt pro 5 Ampere für Kabellängen bis zu 20 m, wobei diese Regel in jeder Installation und für Kabellängen von über 20 m überprüft und angepasst werden muss, immer in Übereinstimmung mit den lokalen Regelungen und Anforderungen.

3.5 ELEKTRISCHER SCHALTPLAN SieheBild 10.

3.6 WASSERDURCHFLUSS-ANFORDERUNGEN

Dem Gerät ist werksseitig die Wasserfluss-Richtung von rechts nach links konfiguriert. Sollte der Endkunde die Richtung umkehren wollen, bitte folgende Kapiteln (3.8) beachten.



ACHTUNG

Der Wasserdurchfluss durch das Gerät sollte niemals 15m³/Std. Übersteigen. Der Garantie-AnspruchentfälltbeiNichtbeachtung.

Ist der Wasserdurchfluss grösser als 15 m³/Std., ist ein By-Pass zu installieren um den Fluss zu mindern.

Der Wärmetauscher muss einen Wasserdurchfluss erkennen um zu funktionieren. Der minimal erkennbare Durchfluss ist: 2.5 m³/Std

3.7 WASSER-QUALITÄTS-ANFORDERUNGEN

Die Wasserqualität muss folgende Werte einhalten:

HCLO + CLO	4 ppm	ISOCYANURSAURE:	Up to 100 ppm
PH:	6,0 – 8,0	CaCO3	Up to 250 ppm
CHLORID:	Up to 250 ppm	HBrO:	Up to 8 ppm



INFORMATION

Bei Fragen hierzu, fragen Sie einen Experten in Wasserwerte um Rat.

** Ausser das Modell 18kW. Der Rest kann einphasig, sowie dreiphasig angeschlossen werden.

3.8 ÄNDERN DER WASSERFLUSS-RICHTUNG

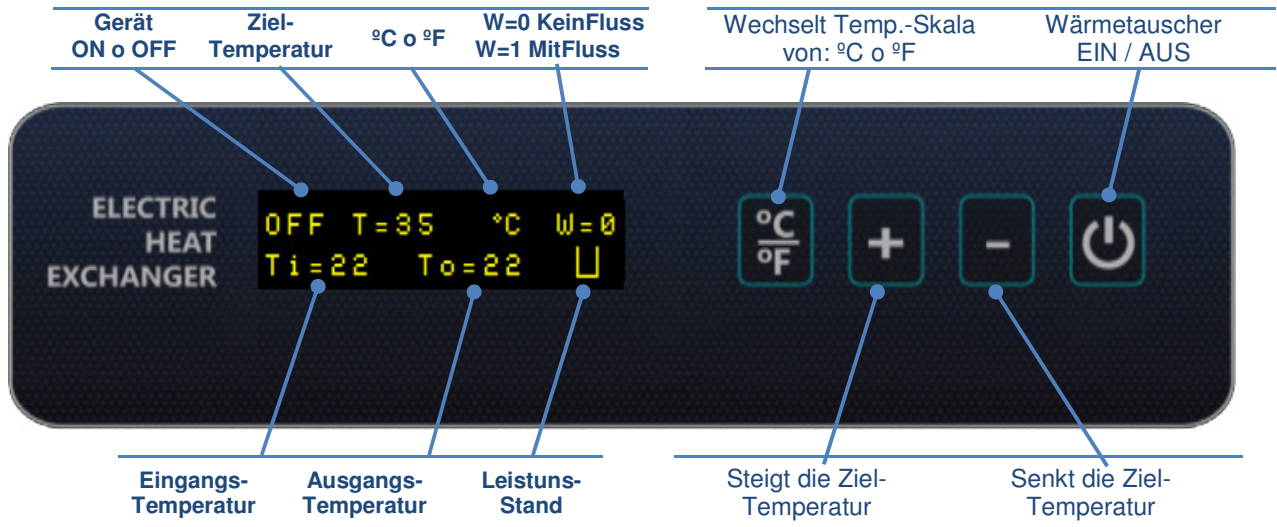
Werkseitig ist die Wasserflussrichtung von rechts nach links eingestellt. Sollten Sie diese Richtung ändern wollen, folgen Sie gründlich die Schritte beschrieben in der Bilderreihe 11.



HINWEIS

Beim Wechseln der Wasserfluss-Richtung, denken Sie bitte daran den Anschluss der Temperatur-Sensoren (auch Sonde oder Fühler) zu wechseln. Siehe Bilderreihe 13.

4 INBETRIEBNAHME UND FUNKTION



Das Gerät zeigt durch ein Symbol auf der unteren rechten Seite des Bildschirms an ob es am Aufheizen ist:



Aufheizen mit 2/3 der Leistung: Tritt ein um das Gerät sanft zu starten und wenn es die Zieltemperatur beinahe erreicht hat (mildes Erreichen der Zieltemperatur).

- 1) Einmal das Gerät installiert und elektrisch angeschlossen. Auf dem Bildschirm erscheint OFF und dass kein Wasserdurchfluss vorhanden ist.
- 2) Drücken auf "+" oder "-" für die gewünschte Zieltemperatur. Drücken auf "°C/°F" für die gewünschte Temperatur-Skala.
- 3) Das Filtrations-System (Pumpe) starten um den Wasserdurchfluss zu geben. Der Bildschirm zeigt nun Wasserdurchfluss an.
- 4) ON / OFF drücken um den Wärmetauscher zu starten.
- 5) An dem Punkt angekommen und sollte die

```
OFF T=20 °C W=0
Ti=25 To=25 U
```


```
OFF T=35 °C W=0
Ti=25 To=25 U
```

```
OFF T=35 °C W=1
Ti=25 To=25 U
```

```
ON T=35 °C W=1
Ti=25 To=25 U
```

Wassertemperatur unterhalb der Zieltemperatur sein, beginnt der Wärmetauscher aufzuheizen. Ansonsten wartet das Gerät seinen Einsatz ab.

- 6) Solange das Gerät aufheizt, wird es nicht stoppen bis es die Zieltemperatur erreicht hat, oder das Gerät ausgeschaltet wird.

ON T=35 °C W=1
Ti=25 To=26 


ON T=35 °C W=1
Ti=35 To=35 

5 ZEITPLANUNG

Dieses Gerät kann mit der Zeitplanung der Filtrationspumpe zusammenarbeiten. Geben Sie einfach die Zieltemperatur ein und schalten Sie das Gerät auf ON.

ON T=35 °C W=0
Ti=25 To=25 

Ist das Gerät immer auf ON, so schaltet der Wärmetauscher auch aus sobald es die Filtrationspumpe auch tut. Schaltet die Filtrationspumpe wieder ein, so erkennt es der Wärmetauscher und wird mit der Aufheizung – solange notwendig – beginnen.

ON T=35 °C W=1
Ti=25 To=26 

6 STÖRUNGSBEHEBUNGEN

DER BILDSCHIRM LEUCHTET NICHT AUF

URSACHE #1: Externerelektrischer Fehler.

LÖSUNG #1: Stromversorgung überprüfen und rep.

URSACHE #2: Fehler der Grundleiterplatten.

LÖSUNG #2: Überprüfen und allenfalls ersetzen.

GERÄT HEIZT AUSSETZEND, NICHT KONTINUIERLICH

URSACHE #1: Wasserdurchfluss nahe unterer Grenze. LÖSUNG #1: Erhöhenfalls notwendig.

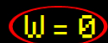
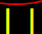
URSACHE #2: Wasserdurchfluss nahe unterer Grenze. LÖSUNG #2: Externer Filter reinigen.

GERÄT EINGESCHALTET, HEIZT ABER NICHT AUF

URSACHE #1: Überprüfen ob die Zieltemperatur erreicht wurde. Solange die Zieltemperatur erreicht wird, hat das Gerät nicht die Notwendigkeit zu heizen.

ON T=35 °C W=1
Ti=35 To=35 

URSACHE #2: Überprüfen ob Wasserdurchfluss vorhanden ist. Wenn nicht vorhanden, darf das Gerät nicht heizen.

ON T=35 °C W=0 
Ti=25 To=25 

URSACHE #3: Wenn der Thermo-Begrenzer aktiviert ist, wird das Gerät nicht aufheizen, solange sich die Temperaturen an den Wasser-Ein- und Wasser-Ausgängen stabilisieren.

LÖSUNG #3: Warten bis sich die Temperatur stabilisiert.

OFF T=20 °C W=0
Ti=25 To=25 

Bestätigt sich diese Ursache, so gründlich nachforschen bitte, da dies nur bei erhöhter Wassertemperatur geschieht. Z.B. Überprüfung ob Luftblasen im System vorhanden sind.

URSACHE #4: Fehler am Durchfluss-Schalter.

LÖSUNG #4: Überprüfen ob der Durchflussschalter richtig montiert ist und funktioniert und allenfalls ersetzen falls notwendig.

DIFFERENTIALSPERRE SCHALTET SOFORT EIN NACHDEM DAS GERÄT EINGESCHALTET WIRD

URSACHE #1: Ein o. mehrere Triacs funktionieren nicht aufgrund einer Stromüberspannung.

SOLUCION #1: Triac(s) ersetzen.

DAS GERÄT IST EINGESCHALTET, HEIZT AUF, ABER DIE WASSERTEMPERATUR STEIGT NICHT AUF

URSACHE #1: Heiz-Elemente fehlerhaft.

SOLUCION #1: Die Resistenz (Heizkörper oder Elemente) zwischen den Polen überprüfen und allenfalls ersetzen falls notwendig.

7 PRODUKTENTSORGUNG



Wenn der Lebens-Zyklus dieses Wärmetauschers erreicht ist, sollte es nicht wie gewöhnlicher Haushaltsabfall behandelt werden.

Bei der Sicherstellung, dass dieses Produkt rechtmässig entsorgt wird, geben Sie einen wichtigen Beitrag, die Anzahl elektrischer und elektronischer Müll zu reduzieren. Das wiederum trägt der Erhaltung natürlicher Ressourcen bei.

Zwei Arten um verantwortungsbewusst zu handeln:

- Das Gerät Ihrem Vertriebshändler oder Verkäufer abgeben.
- Das Gerät einer Entsorgungs-Sammelstelle Ihrer Region abgeben.

8 GARANTIEZERTIFIKAT



INFORMATION

Dieser Wärmetauscher verfügt über eine 2-Jahres-Garantie ab Verkaufsdatum gegen Fabrikations- und Material-Fehlern.

1 ALLGEMEINES

- 1.1 Im Einvernehmen mit diesen Verfügungen garantiert der Verkäufer, dass das Produkt, das dieser Garantie entspricht („das Produkt“) im Moment der Lieferung keinerlei Mängel aufweist.
- 1.2 Die Garantiezeit des Produkts beträgt zwei (2) Jahre und beginnt mit der Übergabe an den Käufer.
- 1.3 Kommt es während der Garantiezeit zu einem Mangel am Produkt und informiert der Käufer den Verkäufer, muss der Verkäufer das Produkt auf eigene Kosten ersetzen oder reparieren an dem Ort der ihm richtig erscheint, außer dies wäre unmöglich oder unverhältnismässig.
- 1.4 Kann das Produkt weder ersetzt noch repariert werden, kann der Käufer eine Preisminderung verlangen, oder wenn der Schaden größer ist, eine Auflösung des Kaufvertrags.
- 1.5 Die ersetzten oder reparierten Teile verlängern die Garantiezeit des Originalprodukts nicht, verfügen aber über eigene Garantien.
- 1.6 Zum Inkrafttreten vorliegender Garantie muss der Käufer den Kauf- und Liefertag des Produkts bestätigen können.
- 1.7 Sind mehr als sechs Monate seit der Produktauslieferung vergangen und der Käufer klagt über einen Mangel, muss dieser den Grund und die Existenz des Mangels nachweisen können.
- 1.8 Vorliegendes Garantiezertifikat schränkt die Verbraucherrechte in Bezug auf nationale Bestimmungen auf keinen Fall ein.

2 BESONDERE BEDINGUNGEN

- 2.1 Vorliegende Garantie bezieht sich auf die Produkte dieses Handbuchs.
- 2.2 Damit diese Garantie in Kraft tritt, muss der Käufer sich strikt an die Anweisungen in der Dokumentation des Herstellers halten, die mit dem Produkt geliefert wird, wenn das ausführbar ist, je nach Produktpalette und -modell.
- 2.3 Werden Daten für den Ersatz, die Wartung oder Reinigung von bestimmten Teilen oder Komponenten des Produkts nicht eingehalten, erlischt die Garantie.

3 EINSCHRÄNKUNGEN

- 3.1 Vorliegende Garantie wird nur wirksam bei Kaufverträgen mit Konsumenten, wobei unter „Konsument“ eine Person gemeint ist, die das Produkt nicht zu gewerblichen Zwecken nutzt.
- 3.2 Es wird keinerlei Garantie gewährt für normale Abnutzung des Produkts. Die Garantie für Teile, Komponenten und/oder Verbrauchsmaterialien, wie Batterien, Birnen, usw. ist in der Dokumentation des Produkts geregelt.
- 3.3 Die Garantie tritt in folgenden Fällen nicht in Kraft: (I) falsche Behandlung; (II) Reparatur, Wartung oder Manipulation durch nicht autorisierte Person oder (III) Reparatur oder Wartung mit Nicht-Originalteilen.
- 3.4 Wenn der Mangel am Produkt die Folge nicht korrekter Installation oder Inbetriebnahme ist, tritt die Garantie nur in Kraft, wenn Installation oder Inbetriebnahme im Kaufvertrag des Produkts enthalten sind und vom Verkäufer unter seiner Verantwortung durchgeführt wurden.

1 INTRODUZIONE

Grazie per acquisire lo scambiatore di calore elettrico COMPACT® di nuova tecnologia. L'esperienza accumulata della nostra compagnia durante più di 25 anni nel mondo della climatizzazione di piscine, è stata messa al suo servizio in questo prodotto.



INFORMAZIONE

Per favore, leggere attentamente questa istruzione di uso per assicurare il servizio senza problemi del suo scambiatore di calore nuovo. Ricordi che una installazione inadatta annulla la garanzia. Non disfarsi di questo manuale per favore, ritengalo per ulteriore consulta nel futuro.

Si raccomanda di annotare i seguenti dati:

**COMPAGNIA
INSTALLATRICE:**

**TELEFONO DELL'
INSTALLATORE:**

**DATA
DELL'INSTALLAZIONE:**

**MODELLO DI
SCAMBIATORE:**

**N° DI SERIE DELLO
SCAMBIATORE:**

**TIMBRO DEL
COMERCIALE**

**TIMBRO
DELL'INSTALLATORE**



AVVISO

Lo scambiatore dovrà essere installato in un ambito secco e protetto dall'intemperie.

Rango di funzionamento: +5°C a +45°C

Umidità: 90% senza condensazione.

Se lo scambiatore non si usa durante un lungo periodo di tempo (inverno), lo scambiatore dovrà essere drenato per evitare danni.

2 DESCRIZIONE DEL PRODOTTO

Questo scambiatore di calore elettrico COMPACT® è stato disegnato per raggiungere con precisione la temperatura desiderata nella sua piscina o spa. È sempre cosciente tanto della temperatura reale dell'acqua come della temperatura desiderata e reagisce all'istante grazie alla sua nuova elettronica di controllo, molto più precisa che i sistemi elettro-meccanici.

Il software che controlla questo apparecchio è così potente e preciso che incluso attiva e disattiva gli elementi riscaldatori di forma individuale, in dipendenza della necessità reale di riscaldamento in ogni istante. Per quale ragione avessimo bisogno di riscaldare velocemente, l'apparecchio si conetterà a piena potenza. Una volta raggiunta la temperatura di consegna, lo scambiatore gestonerà gli elementi di riscaldamento in dipendenza delle perdite di calore.

Può vedere una descrizione dettagliata dei componenti dello scambiatore nell'immagine 1.

3 INSTALLAZIONE

Questo scambiatore ha varie possibilità di essere installato, sempre e quando siano rispettate certe regole.

3.1 POSIZIONAMENTO

Questo scambiatore può essere installato su una superficie tanto orizzontale come verticale.

Le pinze di aggancio devono essere posizionate della forma desiderata. Ricordi che le pinze di aggancio devono essere fissate di forma sicura su una base piana o muro piano e stabile. Vedi immagine 2.



AVVISO

Ricordi di lasciare abbastanza spazio libero attorno l'impianto per facilitare tanto gli allacciamenti idraulici come assistenze tecniche.

L'apparecchio può installarsi con una inclinazione fino a 20° rispetto alla verticale. Vedi immagine 3.

Se s'installa di forma verticale, l'acqua deve sempre entrare da sotto, per la parte inferiore. Vedi immagini 4 e 6.

3.2 DETTAGLI DEI CONDOTTI (TUBI)

- Lo scambiatore è preparato per connessione a condotti (tubi) di Ø63mm (diametro esteriore), ma si consegnano accessori di adattamento per connessione a condotti di Ø 50mm (diametro esteriore).
- Lo scambiatore deve installarsi in un punto basso del sistema di filtrazione.
- Consigliabile un dispositivo d'arresto dell'arretramento e prevenire mancanza di acqua.
- Si raccomanda installare un bypass per assicurare lo scorrimento di acqua attraverso.
- Lo scambiatore deve essere installato dopo (secondo corrente) della filtrazione e prima (contro corrente) della clorata o qualunque método di trattamento dell'acqua applicato.



ATTENZIONE

Lo scambiatore deve essere installato dopo (secondo corrente) della filtrazione e prima (contro corrente) della clorata o qualunque método di trattamento dell'acqua applicato. Garanzia nulla se non si rispetta.

Vedi immagini 5 e 6 di una installazione raccomandata.

3.3 ALLCCIAMENTO ELETTRICO

- L'allacciamento elettrico deve essere effettuato per un tecnico qualificato, rispettando le leggi ed esigenze dello stato o paese.
- Ritiri il coperchio della morsettiera per realizzare l'allacciamento elettrico. Vedi immagine 7.
- Installare il cavo elettrico secondo sequenza d'immagini 8.



ATTENZIONE

L'allacciamento domestico deve aver installato un interruttore differenziale di 30mA. Gravi danni possono succedere tanto allo scambiatore così come all'installazione se non si rispetta questo punto. Garanzia nulla se non si rispetta.

- Tutti gli scambiatori possono essere allacciati in monofasico^{††} (1Fase+Neutro 230V AC 50 Hz.) o trifasico (3Fasi+Neutro 400V AC 50 Hz.). Se si allaccia in modo monofasico, si deve fare il ponte (consegnato come accessorio). Vedi immagine 9.

3.4 ESIGENZE DI POTENZA

MODELLO	VOLTAGGIO (V)	AMP (A)	SEZIONE DI CAVO
3 kW	230 / 400	13 / 4	Una regola generale per il cavo di alimentazione è: 1mm ² di sezione per ogni 5 ampere, per lunghezze di cavi fino a 20 metri. Sebbene questa regola si deve verificare ed adattare per ogni installazione e per lunghezze di più di 20 metri. Sempre d'accordo con l'esigenze e regole locali.
6 kW	230 / 400	26 / 9	
9 kW	230 / 400	40 / 13	
12 kW	230 / 400	52 / 18	
18 kW	400	27	

3.5 DIAGRAMMA ELETTRICO

Vedi immagine 10.

3.6 NECESSITÀ DI PORTATA D'ACQUA

Lo scambiatore è configurato franco fabbrica con la direzione d'acqua da destra a sinistra. Sebbene l'utente finale desidera invertire la direzione dell'acqua, consulti i capitoli (3.8).



ATTENZIONE

Il flusso dell'acqua attraverso lo scambiatore non deve mai superare i 15m³/ora. Garanzia nulla se non si rispetta.

Se esiste un flusso maggiore a i 15 m³/h, si deve installare un bypass per ridurre il flusso.

Lo scambiatore deve riconoscere la portata d'acqua (flusso) per il suo funzionamento. Il flusso minimo apparente attraverso lo scambiatore è di 2,5 m³/h.

3.7 ESIGENZA A LA QUALITÀ DELL'ACQUA

La qualità dell'acqua deve rispettare i seguenti valori:

HCLO + CLO	4 ppm	ACIDO ISOCIANURICO:	Fino a 100 ppm
PH:	6,0 – 8,0	CaCO ₃	Fino a 250 ppm
CLORURO:	Fino a 250 ppm	HBrO:	Fino a 8 ppm



INFORMAZIONE

Se ci sono dubbi relativi a questi valori di qualità dell'acqua, consulti un esperto.

^{††} Tranne lo scambiatore di 18kW. Tutti gli altri scambiatori possono allacciarsi in monofasico o trifasico.

3.8 CAMBIARE LA DIREZIONE DEL FLUSSO D'ACQUA

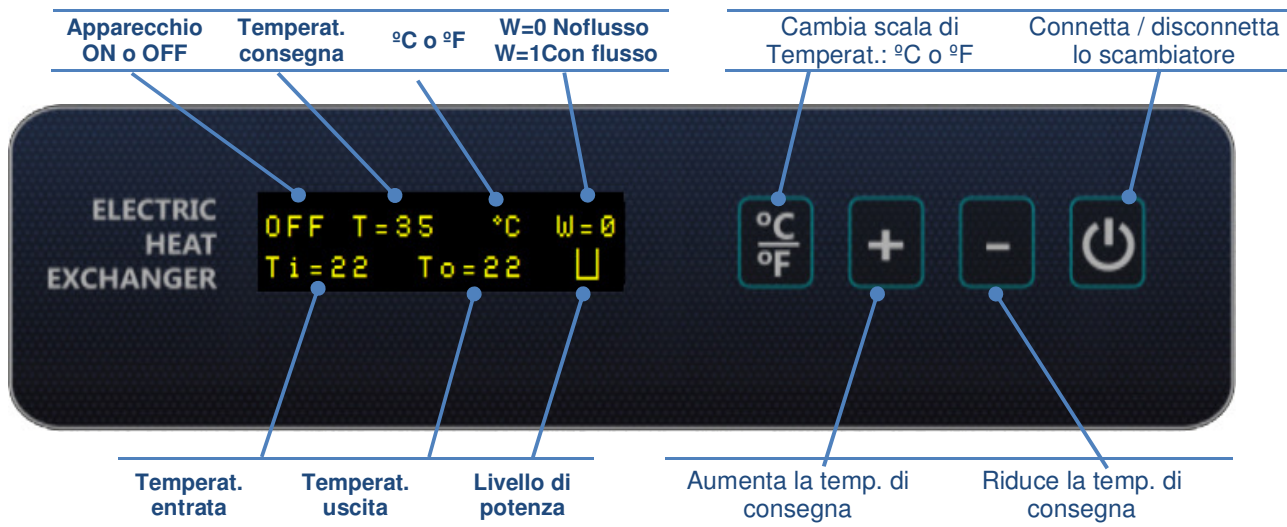
La direzione del flusso d'acqua è definita in fabbrica da destra a sinistra. Se bisogna cambiare la direzione, segua attentamente i passi descritti nella sequenza d'immagini 11.



AVVISO

Ricordi che se si cambia la direzione del flusso d'acqua, si deve anche cambiare il connettore delle sonde di temperatura.

4 MESSA IN SERVIZIO E FUNZIONI



L'apparecchio mostra se sta riscaldando l'acqua mediante una icona nella parte inferiore a destra dello schermo.



In attesa: Senza riscaldare l'acqua

Riscaldando l'acqua a 2/3 della potenza totale

Riscaldando l'acqua a tutta forza

Riscaldare l'acqua a 2/3 della potenza totale: Si produce così l'avviamento soave e anche quando la temperatura dell'acqua è prossima a quella di consegna = Arrivo a consegna soave.

- Una volta installato l'apparecchio, allacciare elettricamente. Lo schermo si accende mostrando che si trova in stato OFF e non riceve flusso di acqua.
- Premere "+" o "-" per fissare la temperatura di acqua desiderata. Premere "°C/°F" per fissare la scala di temperatura desiderata.
- Connette il sistema di filtrazione per iniziare il flusso d'acqua ed eliminare l'aria dei condotti. Lo schermo adesso mostra che c'è flusso d'acqua.
- Premere ON / OFF per attivare lo scambiatore.
- A questo punto, lo scambiatore comincerà a riscaldare l'acqua se si trova sotto la temperatura di consegna. Al contrario, rimarrà in attesa.

```
OFF T=20 °C W=0
Ti=25 To=25 □
```

```
OFF T=35 °C W=0
Ti=25 To=25 □
```

```
OFF T=35 °C W=1
Ti=25 To=25 □
```

```
ON T=35 °C W=1
Ti=25 To=25 □
```

```
ON T=35 °C W=1
Ti=25 To=26 ■
```

- 6) Se lo scambiatore riscalda, non smetterà fino a che raggiunge consegna o sia disconnesso.

5 OROLOGIO ORARIO

Questo apparecchio può lavorare insieme a un orologio orario. Semplicemente aggiusti la temperatura di consegna desiderata sullo scambiatore e attivarlo.

Mentre la filtrazione sia spenta, lo scambiatore lo sarà pure. In quanto la filtrazione sia in moto di nuovo, lo percepisce lo scambiatore e comincerà a riscaldare l'acqua se necessario.

6 PRELIEVO INCIDENZE

LO SCHERMO DELLO SCAMBIATORE NON SI ACCENDE

CAUSA #1: Errore elettrico esterno.

CAUSA #2: Errore in piastrina elettronica.

SOLUZIONE #1: Verificare e riparare l'alimentazione

SOLUZIONE #2: Esaminare e rimpiazzare se necessario.

LO SCAMBIATORE RISCALDA ALTERNATEMENTE

CAUSA #1: Flusso d'acqua presso valore minimo.

CAUSA #2: Flusso d'acqua presso valore minimo dovuto a sporcizia del filtro.

SOLUZIONE #1: Verificare il flusso d'acqua ed incrementarlo se necessario.

SOLUZIONE #2: Pulire il filtro.

SCAMBIATORE IN FUNZIONAMENTO, MA NON RISCALDA L'ACQUA

CAUSA #1: Raggiuntala temperatura di consegna. Se infatti si è raggiunto, lo scambiatore non riscalderà più.

CAUSA #2: Senza flusso d'acqua. Se infatti manca flusso d'acqua, lo scambiatore non riscalderà per mancanza d'acqua.

CAUSA #3: Si ha attivato il termolimitatore. Lo scambiatore non comincerà più a riscaldare, fino a che le temperatura d'entrata ed uscita si stabiliscano.

SOLUZIONE #3: Aspettare a che le temperature sin stabiliscano.

Se si conferma questa causa, si deve investigare a fondo già che solamente si produce il caso quando la temperatura dell'acqua è alta. Ad esempio, comprovare se ci sono bolle d'aria nel sistema.

CAUSA #4: Disfunzione del flussostato.

SOLUZIONE #4: Comprobare che il flussostato funzioni correttamente e rimpiazzarlo se necessario.

INTERRUPTOR DIFERENCIAL ACTUA INMEDIATAMENTE DESPUES DE CONECTAR EL CALENTADOR

CAUSA #1: Uno o más de los triacs ha fallado por una sobretensión del suministro eléctrico.

SOLUCION #1: Reemplazar el / los triacs

L'APPARECCHIO SI CONETTA E RISCALDA, MA NON SI NOTA LA SALITA DI TEMPERATURA DOPO ORE

CAUSA #1: Elementi riscaldatori difettuosi.

SOLUZIONE #1: Verificare le resistenze tra i poli degli elementi riscaldatori e rimpiazzare se necessario.

7 SMALTIMENTO DEL PRODOTTO



Cuando il riscaldatore elettrico finisca la sua vita, non deve buttarlo via a la spazzatura domestica.

Si deve assicurare che il prodotto si butti via adeguatamente aiutará a ridurre la quantità di residui elettrici ed elettronici.

Per attuare con responsabilità, essitono due possibilità:

- Ritornare il prodotto al distributore.
- Portare el prodotto al punto pulito della sua città.

8 CERTIFICATO DE GARANZIA



INFORMAZIONE

Questo riscaldatore elettrico a 2 anni di garanzia a partire della data di compra contra manodopera e materiali di fabbricazione.

1. ASPETTI GENERALI

- 1.1 Secondo queste disposizioni, il venditore garantisce che il prodotto corrispondente a questa garanzia ("il prodotto") non presenta nessuna mancanza di conformità al momento della sua consegna.
- 1.2 Il periodo di garanzia per il prodotto è di due (2) anni, e sarà calcolato dal momento della consegna al compratore.
- 1.3 In caso di mancanza di conformità del Prodotto e di notificazione del compratore al venditore durante il Periodo di Garanzia, il venditore dovrà riparare o sostituire il Prodotto a sue spese nel luogo dove consideri opportuno, a meno che ciò sia impossibile o sproporzionato.
- 1.4 Quando non è possibile riparare o sostituire il Prodotto, il compratore potrà richiedere una riduzione proporzionale del prezzo o, se la mancanza di conformità è sufficientemente importante, la risoluzione del contratto di vendita.
- 1.5 Le parti sostituite o riparate in virtù di questa garanzia non prolungheranno il termine della garanzia del Prodotto originale, tuttavia disporranno di garanzia propria.
- 1.6 Per rendere effettiva la presente garanzia, il compratore dovrà accreditare la data di acquisto e di consegna del Prodotto.
- 1.7 Quando siano trascorsi più di sei mesi dalla consegna del Prodotto al compratore e questo ne allegghi mancanza di conformità, il compratore dovrà accreditare l'origine e l'esistenza del difetto allegato.
- 1.8 Il presente Certificato di Garanzia non limita o pregiudica i diritti che spettano al consumatore in virtù di norme nazionali di carattere imperativo.

2. CONDIZIONI PARTICOLARI

- 2.1. La presente garanzia protegge i prodotti a cui fa riferimento questo manuale.
- 2.2. Affinché questa garanzia sia valida, il compratore dovrà seguire strettamente le indicazioni del fabbricante che figurano nella documentazione che accompagna il Prodotto, quando questa sia applicabile secondo la gamma e il modello del Prodotto.
- 2.3. Quando è specificato un calendario per la sostituzione, manutenzione o pulizia di certi pezzi o componenti del Prodotto, la Garanzia sarà valida soltanto quando sia stato rispettato correttamente il suddetto calendario.

3. LIMITAZIONI

- 3.1. La presente garanzia sarà applicabile in quelle vendite realizzate a consumatori, intendendo come "consumatore", quella persona che acquista il Prodotto per finalità che non rientrano nell'ambito della loro attività professionale.
- 3.2. Non è concessa nessuna garanzia per la normale usura del Prodotto. Per quanto riguarda i pezzi, i componenti e/o i materiali deperibili o consumabili come pile, lampadine ecc, ci si atterrà a quanto disposto nella documentazione che accompagna il Prodotto, se del caso.
- 3.3. La garanzia non copre quei casi in cui il Prodotto: (I) sia stato oggetto di un trattamento incorretto; (II) sia stato riparato, mantenuto o manipolato da persona non autorizzata o (III) sia stato riparato o mantenuto con pezzi non originali.
- 3.4. Quando la mancanza di conformità del Prodotto sia conseguenza di un'incorretta installazione o di un incorretto avviamento, la presente garanzia risponderà solo quando detta installazione o avviamento siano comprese nel contratto di compra-vendita del Prodotto e siano state realizzate dal venditore o sotto la sua responsabilità.

1 NOTAS IMPORTANTES

Agradecemos a sua nova aquisição do aquecedor eléctrico COMPACT®. A experiência acumulada pela nossa empresa durante mais de 25 anos no mundo da climatização de piscinas foi colocada ao seu dispor neste produto.



INFORMAÇÃO

Leia atentamente este manual para assegurar que o seu novo aquecedor lhe proporcionará anos de serviço sem qualquer problema. Tenha em conta que uma instalação incorrecta anula a garantia.

Não deite fora este manual. Conserve-o para possíveis futuras consultas.

É aconselhável apontar os seguintes dados:

**EMPRESA
INSTALADORA:**

**TELEFONE DO
INSTALADOR:**

**DATA DA
INSTALAÇÃO:**

**MODELO DE
AQUECEDOR:**

**N.º DE SÉRIE DO
AQUECEDOR:**

**CARIMBO DO
DISTRIBUIDOR**

**CARIMBO DO
INSTALADOR**



AVISO

Este aquecedor deve ser instalado em local seco e protegido das intempéries.

Faixa de Operação: +5°C to +45°C

Umidade máxima: 90% sem condensação.

Se o aquecedor não está a ser utilizado por um longo período de tempo (inverno), devem ser drenados para evitar danos.

2 DESCRIÇÃO DO PRODUCTO

Este aquecedor eléctrico COMPACT® foi concebido para atingir com precisão a temperatura pretendida da sua piscina ou spa. Conhece a temperatura real da água e a temperatura pretendida e reage automaticamente graças à sua nova electrónica de controlo, muito mais exacta que os sistemas electro-mecânicos.

O software que controla este aparelho é tão potente e exacto que inclusive liga e desliga os elementos aquecedores de forma individual dependendo das necessidades reais de aquecimento em todo o momento, pelo que quando for necessário aquecer rapidamente a água, o aparelho liga-se a plena potência; assim que se atingir a temperatura de referência, o aparelho gestiona os elementos aquecedores dependendo das perdas de calor.

Pode ver uma descrição pormenorizada das peças do aquecedor na imagem 1.

3 INSTALAÇÃO

Este aquecedor tem várias possibilidades de instalação, mas sempre respeitando determinadas regras.

3.1 POSICIONAMENTO

Este aquecedor pode ser instalado numa superfície horizontal ou vertical.

Os grampos de fixação devem ser colocados da forma pretendida. Tenha em conta que os grampos de fixação têm de ser fixos de forma segura a uma base ou parede plana estável. Ver imagens 2.



AVISO

Deixe espaço livre suficiente à volta do aparelho para facilitar tanto as ligações hidráulicas como as assistências técnicas.

O aparelho pode ser instalado com uma inclinação de até 20° em relação à vcal. Ver imagens 3.

Se for instalado de forma vcal, a água deve entrar sempre pela parte de baixo. Ver imagens 4 e 6.

3.2 PORMENORES DOS TUBOS

- O aquecedor está preparado para ser ligado a tubos de 63mm (diâmetro externo), mas são fornecidos adaptadores para ligar a tubos de 50mm (diâmetro externo).
- O aquecedor deve ser instalado num ponto baixo no sistema de filtragem.
- É aconselhável instalar um anti-retorno para evitar que o aparelho fique sem água.
- É aconselhável instalar um by-pass para assegurar o fluxo de água no aparelho.
- O aquecedor tem de ser instalado depois (a jusante) do filtro e antes (a montante) do clorador ou qualquer outro método de tratamento da água.



ATENÇÃO

O aquecedor tem de ser instalado depois (a jusante) do filtro e antes (a montante) de qualquer método de tratamento da água. A Garantia será anulada se estas indicações não forem respeitadas.

Ver imagens 5 e 6 de uma instalação recomendada.

3.3 LIGAÇÃO ELÉCTRICA

- A ligação eléctrica deve ser efectuada por um técnico qualificado, respeitando as normas e requisitos do estado ou país.
- Retire a tampa de bornes para realizar as ligações eléctricas. Ver imagem 7.
- Instalar o cabo eléctrico tal como se indica nas imagens 8.



ATENÇÃO

A instalação eléctrica deve ser feita com um interruptor diferencial de 30mA. Podem dar-se danos sérios tanto no aquecedor como na instalação se não respeitar este ponto. A Garantia será anulada se estas indicações não forem respeitadas.

- Todos os aquecedores podem ser ligados em monofásico^{##} (1Fase+Neutro 230V ca 50 Hz.) ou em trifásico (3Fases+Neutro 400V ca 50 Hz.). Se for ligado de forma monofásica, deve instalar uma ponte (fornecida). Ver imagens 9.

3.4 REQUISITOS DE POTÊNCIA

MODELO	VOLTAGEM (V)	AMP (A)	SECÇÃO DO CABO
3 kW	230 / 400	13 / 4	Uma regra geral para o cabo de alimentação é: 1mm ² de secção por cada 5 amperes para comprimentos de cabo até 20 metros, embora esta regra deva ser verificada e adaptada para cada instalação e para comprimentos de mais de 20 metros e sempre de acordo com os requisitos/normas locais.
6 kW	230 / 400	26 / 9	
9 kW	230 / 400	40 / 13	
12 kW	230 / 400	52 / 18	
18 kW	400	27	

3.5 DIAGRAMA ELÉCTRICO Ver imagem 10.

3.6 REQUISITOS DE FLUXO

Este aquecedor foi configurado de fábrica com um sentido de fluxo de água da direita para a esquerda. Se o utilizador final precisar de inverter o sentido do fluxo de água, consulte os seguintes capítulos.



ATENÇÃO

O fluxo de água através do aquecedor não deve nunca exceder os 15m³/hora. A Garantia será anulada se estas indicações não forem respeitadas.

Se houver um fluxo de água superior a 15m³/h, deve ser instalado um by-pass para reduzir o fluxo.

O aquecedor deve detectar fluxo para funcionar. O fluxo mínimo detectável é de 2,5 m³/hora.

3.7 REQUISITOS DA QUALIDADE DA ÁGUA

A qualidade da água deve cumprir com os seguintes valores:

HCLO + CLO	4 ppm	ÁCIDO ISOCIANÚRICO:	até 100 ppm
PH:	6,0 – 8,0	CaCO ₃	até 250 ppm
CLORETOS:	até 250 ppm	HBrO:	até 8 ppm



INFORMAÇÃO

Se tiver dúvidas consulte um especialista sobre os valores de qualidade da água.

^{##} Excepto o aquecedor de 18kW. Todos os outros aquecedores são capazes de ligação monofásica e trifásica.

3.8 MUDAR O SENTIDO DO FLUXO POR DEFEITO

O sentido do fluxo por defeito é da direita para a esquerda. Se for necessário mudar o sentido do fluxo da água, siga atentamente os passos descritos nas imagens 11.



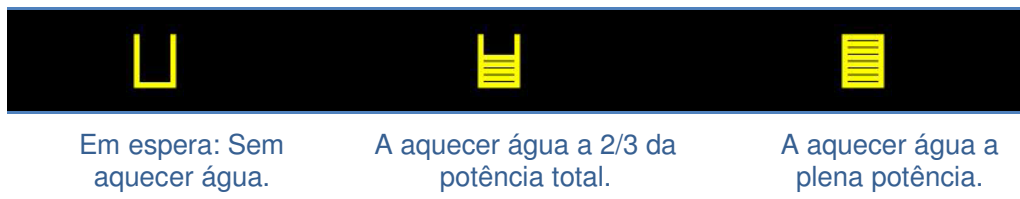
AVISO

Tenha em conta que se mudar o sentido do fluxo de água, também deve ser mudado o conector das sondas de temperatura, ver figuras 13.

4 ARRANQUE E FUNCIONAMENTO



O aparelho mostra se está a aquecer a água através de um ícone na parte inferior direita do ecrã:



Em espera: Sem aquecer água.

A aquecer água a 2/3 da potência total.

A aquecer água a plena potência.

Aquecer água a 2/3 da potência total: utiliza-se para realizar arranques suaves do aparelho e quando a temperatura da água estiver próxima à temperatura de referência: chegada à referência suave.

- 1) Assim que tiver instalado o aparelho, ligar electricamente. Acende-se o ecrã mostrando que o aparelho está desligado (OFF) e que não há fluxo de água.
- 2) Premir "+" ou "-" para fixar a temperatura da água pretendida. Prima "°C/°F" para fixar a escala de temperatura pretendida.
- 3) Ligue o sistema de filtragem para iniciar o fluxo de água e eliminar o ar do sistema. O ecrã mostra que agora há fluxo de água.
- 4) Prima ON / OFF para activar o aquecedor.

```
OFF T=20 °C W=0
Ti=25 To=25 U
```

```
OFF T=35 °C W=0
Ti=25 To=25 U
```

```
OFF T=35 °C W=1
Ti=25 To=25 U
```

```
ON T=35 °C W=1
Ti=25 To=25 U
```

- 5) Neste ponto o aquecedor vai começar a aquecer a água se esta estiver por baixo da temperatura de referência. Pelo contrário, se for superior ou igual à temperatura de referência, o aparelho permanece em espera.
- 6) Se o aparelho estiver a aquecer água, este não pára até atingir a temperatura de referência ou até ser desligado.

5 RELÓGIO HORÁRIO

Este aparelho pode funcionar juntamente com um relógio horário. Simplesmente ajuste a temperatura de referência pretendida no aquecedor e active-o.

Enquanto a filtragem estiver parada, o aquecedor também estará parado. Quando a filtragem estiver a funcionar, o aquecedor detecta o funcionamento e aquece a água se for necessário.

6 SOLUÇÃO DE PROBLEMAS

O ECRÃ DO APARELHO NÃO SE ACENDE

CAUSA #1: Falha eléctrica externa ao aparelho.
SOLUÇÃO #1: Verificar e reparar a alimentação.

CAUSA #2: Falha em placas electrónicas.
SOLUÇÃO #2: Rever e substituir se for necessário.

O APARELHO AQUECE INTERMITENTEMENTE

CAUSA #1: Fluxo de água próximo ao valor mínimo.
SOLUÇÃO #1: Verificar o fluxo de água e aumentá-lo se for necessário.

CAUSA #2: Fluxo de água próximo ao valor mínimo devido à sujidade em filtro
SOLUÇÃO #2: Limpar o filtro.

APARELHO LIGADO MAS NÃO AQUECE A ÁGUA

CAUSA #1: Verificar se se atingiu a temp. de referência. Se a temperatura tiver sido atingida, o aparelho não aquece a água visto que a temperatura pretendida já foi atingida:

CAUSA #2: Verificar se há fluxo de água. Se não houver fluxo de água o aparelho não permite aquecer a água.

CAUSA #3: Se o termolimitador tiver sido activado: O aparelho permanece desligado até que as temperaturas de entrada e saída da água se equilibrarem e seja activado manualmente.

SOLUÇÃO #3: Esperar até que as temperaturas se equilibrarem e reactivar.

Se se confirmar esta causa, esta deve ser investigada a fundo visto que esta situação é provocada com altas temperaturas da água. Por exemplo, comprovar se existem bolhas de ar no sistema.

CAUSA #4: Falha do fluxostato.

SOLUÇÃO #4: Comprovar se o fluxostato funciona correctamente e substituir se for necessário.

INTERRUPTOR DIFERENCIAL ACTUA IMEDIATAMENTE A SEGUIR A LIGAR O AQUECEDOR

CAUSA #1: Falha de um dos triacs ou mais por sobretensão da alimentação eléctrica.

SOLUÇÃO #1: Substituir o / os triacs

O APARELHO LIGA-SE E AQUECE MAS NÃO SE SENTE A SUBIDA DE TEMPERATURA PASSADAS VÁRIAS HORAS

CAUSA #1: Elementos aquecedores avariados.

SOLUÇÃO #1: Verificar a resistência entre os pólos dos elementos de aquecimento. Substituir de for necessário.

7 RECICLAGEM DO PRODUTO



Ao acabar a vida útil deste aquecedor eléctrico, não deve tratá-lo como resíduo doméstico.

Ao assegurar que o produto é eliminado correctamente, ajudará a reduzir a quantidade de resíduos eléctricos e electrónicos, o que contribui para a conservação dos recursos naturais.

Para agir de forma responsável existem duas possibilidades:

- Entregar o produto ao distribuidor ou vendedor a quem comprou o aparelho.
- Levar o produto a um ponto de recolha selectiva dentro da sua localidade ou a um ponto limpo.

8 CERTIFICADO DE GARANTIA



INFORMAÇÃO

Este aquecedor eléctrico tem uma garantia de 2 anos a partir da data de compra, para a mão-de-obra e materiais de fabrico

1. ASPECTOS GERAIS

- 1.1 Conforme estas disposições, o vendedor garante que o produto GRE correspondente a esta garantia ("o produto") não apresenta nenhuma falta de conformidade no momento da sua entrega.
- 1.2 O período de garantia para o produto é de dois (2) anos, e será calculado a contar da data de entrega ao comprador.
- 1.3 Se se produzir uma falta de conformidade do Produto e o comprador o notificar ao vendedor durante o Período de Garantia, o vendedor deverá reparar ou substituir o Produto por sua conta no local onde considerar oportuno, excepto se tal for impossível ou desproporcionado.
- 1.4 Quando não for possível reparar ou substituir o Produto, o comprador poderá requerer uma redução proporcional do preço ou se a falta de conformidade for suficientemente importante, a resolução do contrato de venda.
- 1.5 As partes substituídas ou reparadas em virtude desta garantia não ampliarão o prazo da garantia do Produto original, mas sim disporão da sua própria garantia.
- 1.6 Para a efectividade da presente garantia, o comprador deverá demonstrar a data de aquisição e entrega do Produto.
- 1.7 Quando tiverem transcorrido mais de seis meses a contar da data de entrega do Produto ao comprador e este alegar uma falta de conformidade daquele, o comprador deverá demonstrar a origem e a existência do defeito alegado.
- 1.8 O presente Certificado de Garantia não limita ou prejudica os direitos que correspondem aos consumidores em virtude de normas nacionais de carácter imperativo.

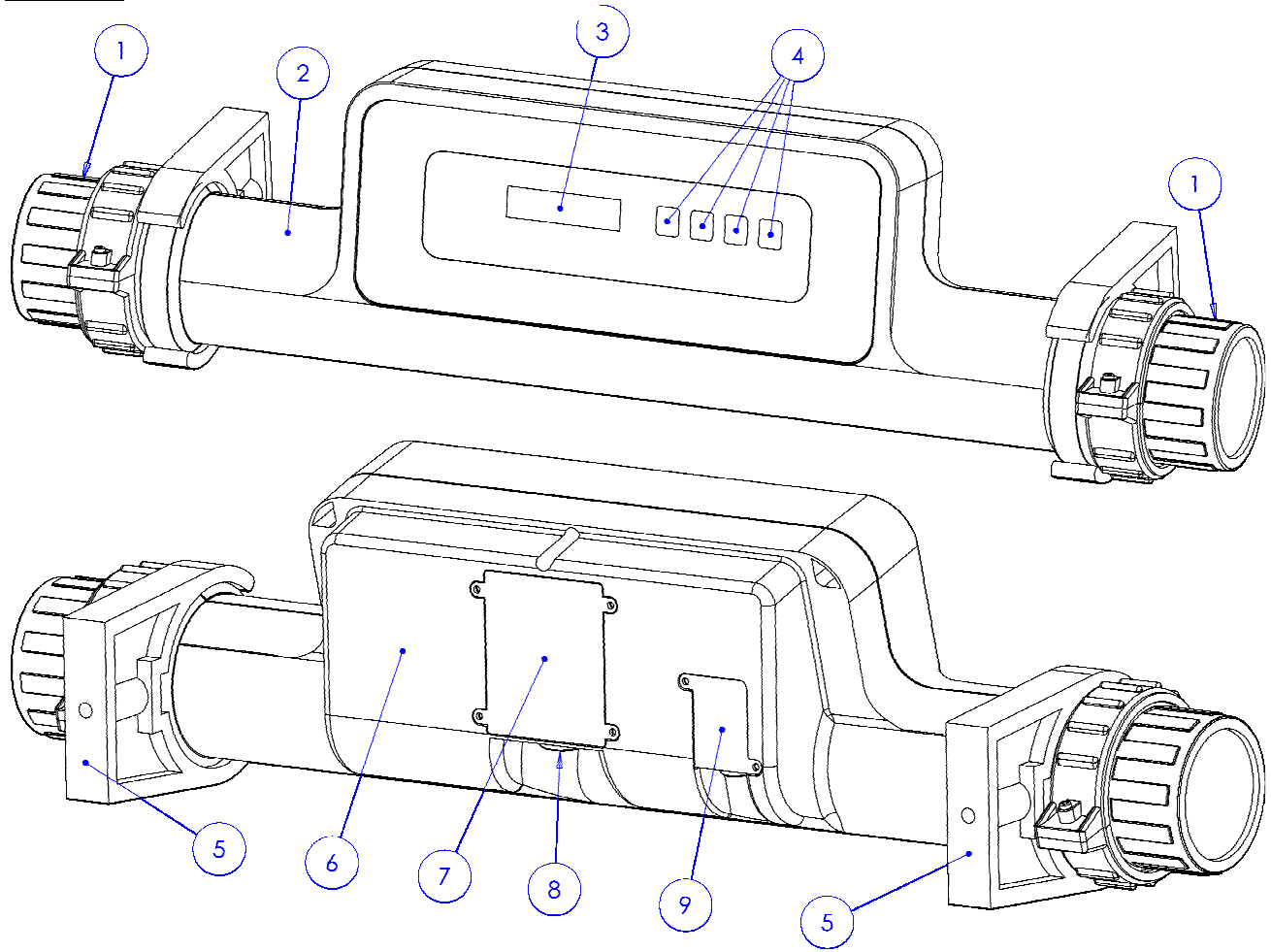
2. CONDIÇÕES PARTICULARES

- 2.1. A presente garantia cobre os produtos a que faz referência este manual.
- 2.2. Para a eficácia desta garantia, o comprador deverá seguir estritamente as indicações do fabricante incluídas na documentação que acompanha o Produto, quando esta resulte aplicável conforme a gama e modelo do Produto.
- 2.3. Quando for especificado um calendário para a substituição, manutenção ou limpeza de certas peças ou componentes do Produto, a Garantia só será válida, quando tal calendário for seguido correctamente.

3. LIMITAÇÕES

- 3.1. A presente garantia apenas será aplicável naquelas vendas realizadas a consumidores, entendendo-se como "consumidor", aquela pessoa que adquire o Produto com fins que não entram no âmbito da sua actividade profissional.
- 3.2. Não será outorgada qualquer garantia em relação ao normal desgaste por uso do Produto. Em relação às peças, componentes e/ou materiais desgastáveis ou consumíveis como pilhas, lâmpadas etc., respeitar-se-á o disposto na documentação que acompanhar o Produto, no seu caso.
- 3.3. A garantia não cobre aqueles casos em que o Produto: (I) tenha sido objecto de um tratamento incorrecto; (II) tenha sido reparado, mantido ou manipulado por pessoas não autorizadas ou (III) tenha sido reparado ou mantido com peças de reposição não originais.
- 3.4. Quando a falta de conformidade do Produto for consequência de uma incorrecta instalação ou arranque, a presente garantia apenas será válida quando dita instalação ou arranque estiver incluído no contrato de compra do Produto e tenha sido realizada pelo vendedor ou sob a sua responsabilidade.

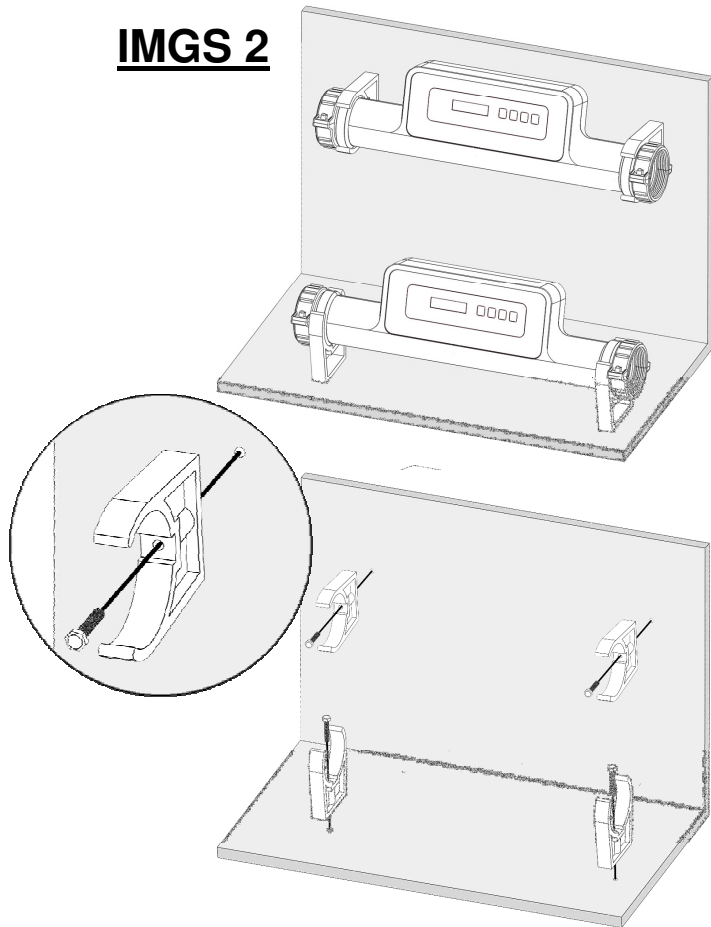
IMG 1



1	END FITTINGS ENDARMATUREN	TERMINALES ANCLAJE RACCORDI TERMINALI	RACCORDS D'EXTRÉMITÉ RACORES FINAIS
2	FRONT COVER FRONT-DECKEL	TAPA FRONTAL COPERCHIO DISPLAY	COUVERCLE FRONTAL TAMPA FRONTAL
3	DISPLAY LAMPENSCHIRM	PANTALLA SCHERMATA	ÉCRAN ECRÃ
4	USER INTERFACE BUTTONS USERBUTTONS	BOTONES DE USUARIO PULSANTI UTENTE	BOUTONS UTILISATEUR BOTÕES DO UTILIZADOR
5	HOLDING CLAMPS HALTEKLAMMERN	GRAPAS DE SUJECCION COLLARI DI PRESA	GRAMPOS DE FIXAÇÃO SEGURANDO PINÇAS
6	BACK COVER RÜCK-DECKEL	TAPA TRASERA COPERCHIO DIDIETRO	COUVERCLE ARRIÈRE TAMPA TRASEIRA
7	TERMINALS COVER KLEMMEN-DECKEL	TAPA DE BORNAS COPERCHIO MORSETTO	COUVERCLE BORNES TAMPA DE BORNES
8	CABLE GLAND WANDDURCHFÜHRUNG	PASAMUROS PASSAMURI	TRAVERSÉ À PAROI PASAMUROS
9 ^{§§}	MODBUS COVER MODBUS-DECKEL	TAPA CAJA MODBUS COPERCHIO MODBUS	COUVERCLE MODBUS TAMPA MODBUS

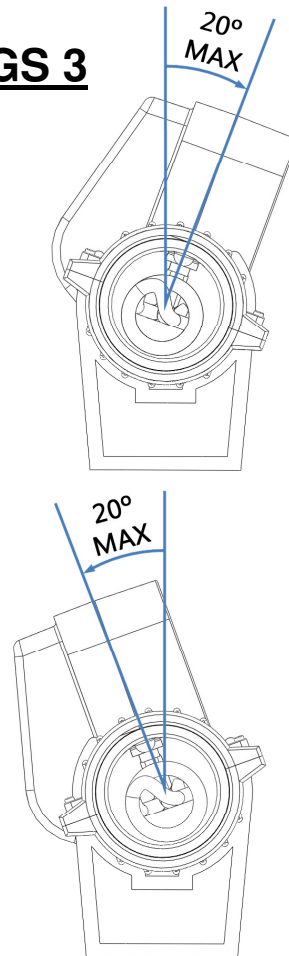
§§ Modbus capabilities not present in these devices. For Modbus capabilities contact Fluidra. Capacidades Modbus no disponibles en estos modelos. Para modelos con Modbus contactor con Fluidra. Capacités Modbus pas présents dans ces devices. Pour Modbus capacités contact Fluidra. Modbus-Funktionen nicht in dieser Teil. Für Modbus-Funktionen contact Fluidra. Funzionalità Modbus non presenti in questi devianti. Per Modbus capacità contattore Fluidra. Capacidades Modbus não presentes nestes dispositivos. Para capacidades Modbus contactar a Fluidra.

IMGS 2



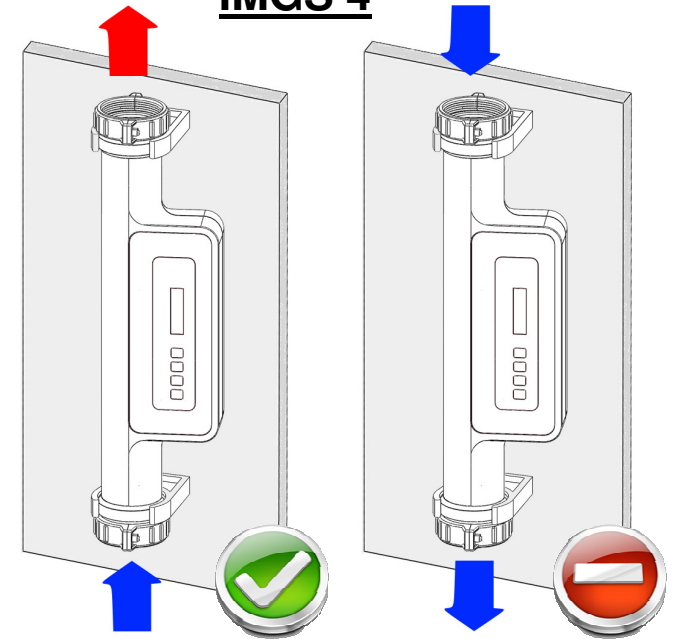
Horizontal & Vertical Mounting.
Montaje Horizontal y vertical.
Montage horizontal et vertical.
Horizontale und vertikale Montage.
Montaggio orizzontale e verticale.
Montagem horizontal e vertical.

IMGS 3



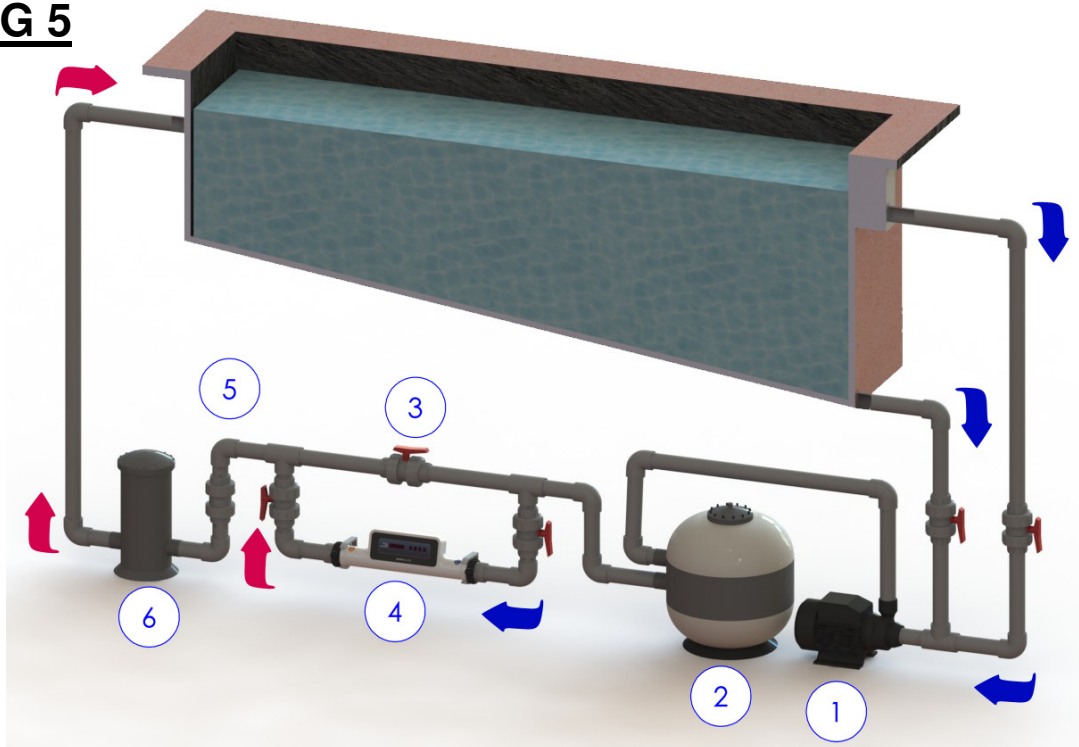
Max installation angle.
Angulo de instalación máximo.
Angle d'installation max.
Max Einbauwinkel.
Angolo massimo installazione.
Ângulo máx. de instalação.

IMGS 4

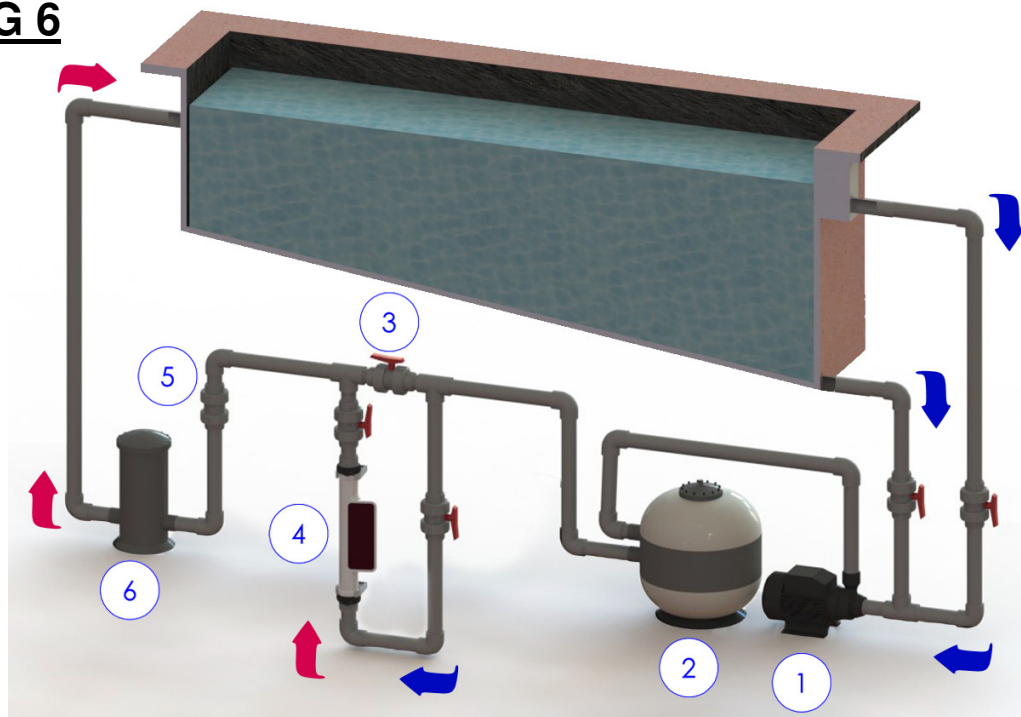


For vcal orientation, water must always enter at the bottom.
Para la orientación vcal, el agua debe entrar siempre por la parte inferior.
Pour une orientation verticale, l'eau doit toujours entrer par le bas.
Für vertikale Ausrichtung, muss das Wasser immer von unten kommen.
Per l'orientamento verticale, l'acqua deve sempre entrare dal basso.
Para a montagem vertical, a água tem de entrar sempre pela parte de baixo.

IMG 5

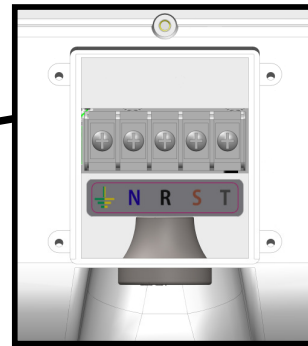
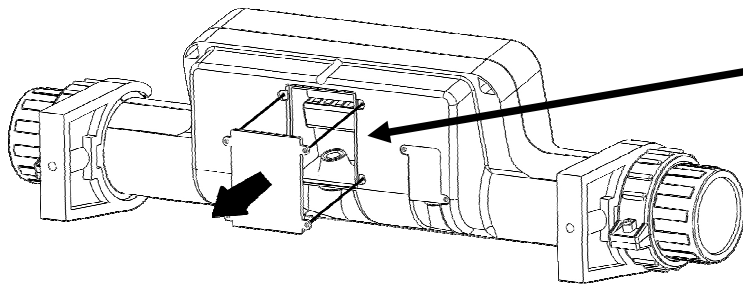


IMG 6

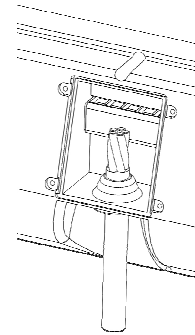
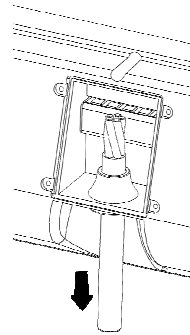
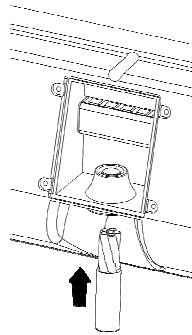
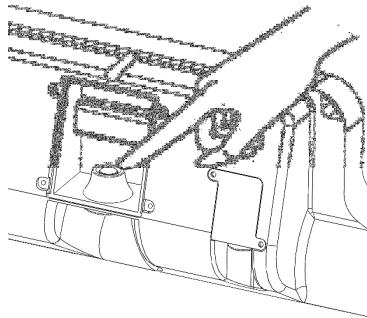


1	2	3	4	5	6
FILTRARION PUMP	FILTER	BY-PASS	HEATER	CHECK VALVE	DOSER / CHLORINATOR
BOMBA FILTRACION	FILTRO	BY-PASS	CALENTADOR	ANTIRRETORNO	DOSIFICADOR / CLORADOR
POMPE DE FILTRAGE	FILTRE	BY-PASS	CHAUFFAGE	ANTI-RETOUR	DOSEUR / CHLORINATEUR
FILTRATIONS PumPE	FILTER	BY-PASS	WÄRMETAUSCHER	RÜCKLAUFSPERRE	WASSERBEHANDLUNGS-ANLAGE
POMPA DI FILTRAGGIO	FILTRO	BY-PASS	RISCALDATORE	ANTIRITORNO	DOSATORE E CLORADORE
BOMBA DE FILTRAGEM	FILTRO	BY-PASS	AQUECEDOR	ANTI-RETORNO	DOSADOR OU CLORADOR

IMG 7



IMGS 8



Cut center

Cortar centro

Couper le centre

Zentrum schneiden

Tagliare il centro

Cortar centro

Insert cable

Insertar el cable

Traverser le câble

Kabel einstecken

Traversare il cavo

Inserir o cabo

Pull back cable to form seal

Tirar del cable para formar el sello

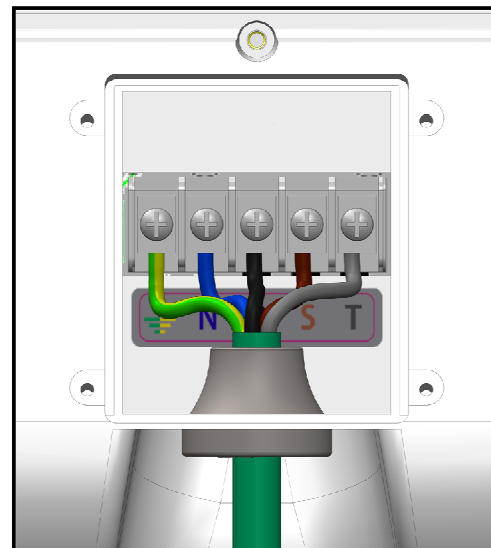
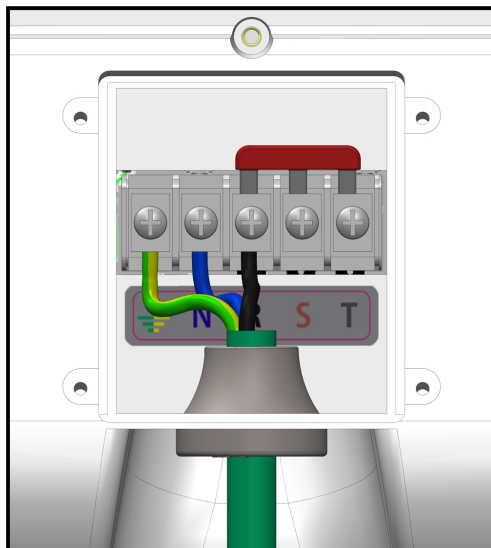
Tirer le cable pour assurer le cachet

Am Kabel ziehen um Siegel-Effekt zu sichern

Tirare dal cavo per assicurare siglio

Puxar o cabo para formar o selo

IMGS 9



Monophasic connection (Loom supplied)

Conexión monofásica (Puente suministrado)

Branchement monphasé

Einphasiger Anschluss

Allacciamento monofásico

Ligação monofásica (Ponte fornecida)

Triphasic connection.

Conexión trifásica.

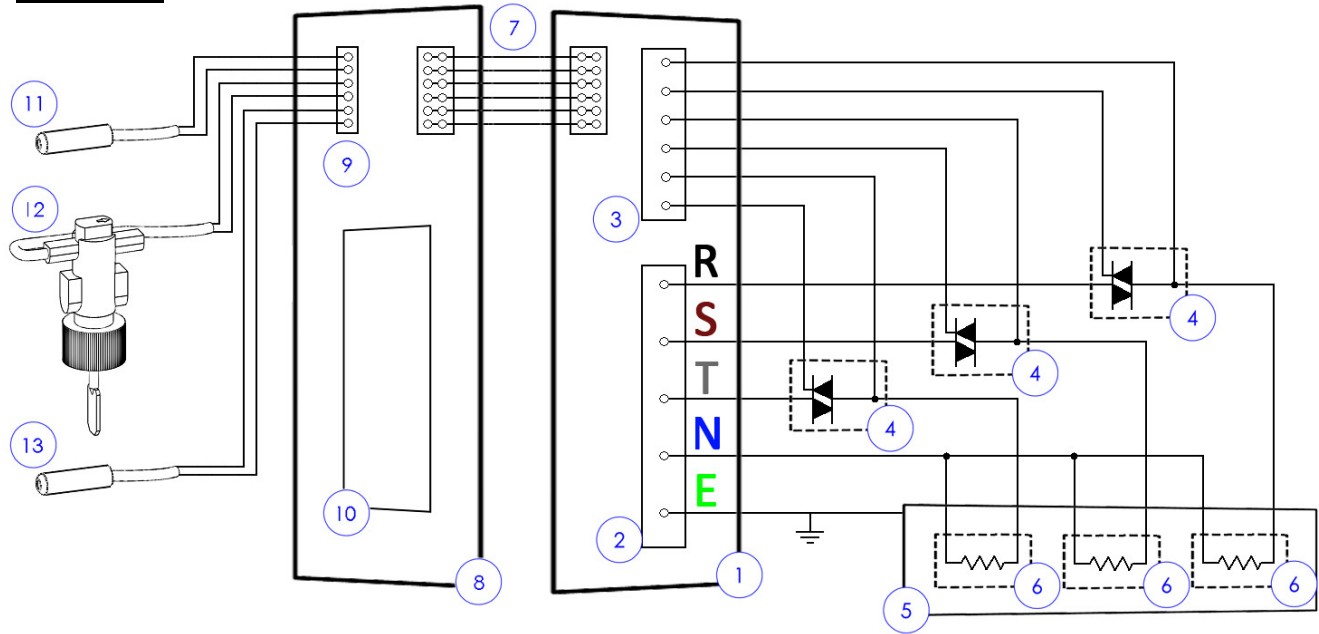
Branchement triphasé

Dreiphasiger Anschluss

Allacciamento trifásico

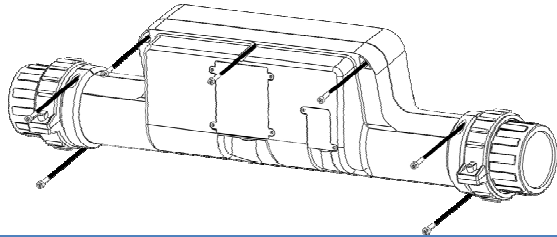
Ligação trifásica.

IMG 10

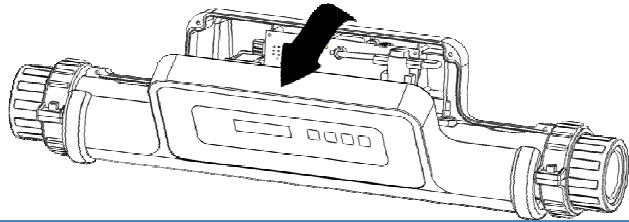


1	Power Board	5	Stainless Steel Tube	9	Input signals
	Placa de Potencia		Tubo Acero Inoxidable		Señales de entrada
	Plaque puissance		Tube d'acier inoxydable		Signales d'entrée
	Grundleiterplatte		Edelstahl-Rohr		Eingangs-Signale
	Piastrina potenza		Tubo d'acciaio inossidabile		Segnali d'entrata
	Placa de potência		Tubo de Aço Inoxidável		Sinais de entrada
2	Terminals block	6	Heating elements	10	User interface (Display)
	Caja de bornas		Resistencias eléctricas		Interfaz de usuario (Pantalla)
	Boîte de bornes		Résistance de chauffage		Interface d'utilisateur (écran)
	Klemm-Kasten		Heizelement		Benützer-Interface (Bildschirm)
	Scatola morsetti		Resistenza di riscaldamento		Interfaccia d'utente (Schermo)
	Caixa de bornes		Resistência de aquecimento		Interface do utilizador (Ecrã)
3	Trigger signals	7	Communication Bus	11	Water temperature probe #1
	Señales de control		Bus de comunicación		Sonda temperature del agua #1
	Signales de contrôle		Lignes de communication		Sonde de temperature #1
	Kontrolsignale		Kommunikations-Leitungen		Temperatur-Sonde (Fühler) #1
	Segnali di controllo		Linie di comunicazione		Sonda di temperature #1
	Sinais de controlo		Linhas de comunicação		Sonda temperatura da água #1
4	Triacs	8	Display PCB	12	Flowswitch
	Triacs		Display PCB		Flujosato
	Triacs		Tarjeta display		Décteteru de flux
	Triacs		Affichage carte imprimée		Durchflussschalter
	Triacs		Display-Leiterplatte		Rivelatore di flusso
	Triacs		Piastrina display		Floxostato
	Triacs		Placa display		Water temperature probe #2
					Sonda temperature del agua #2
					Sonde de temperature #2
					Temperatur-Sonde(Fühler) #2
					Sonda di temperature #2
					Sonda temperatura da água #2

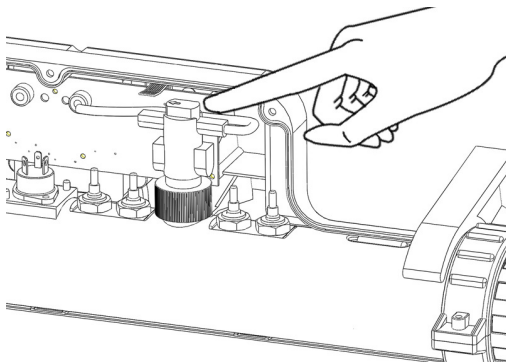
IMGS 11



Unscrew the 7 screws at the back cover
 Desatornillar los 7 tornillos de la carcasa trasera
 Dévisser les 7 vis du couvercle arrière
 Die 7 Schrauben am Rückdeckel aufschrauben
 Svitare le 7 vite del coperchio posteriore
 Desapertar os 7 parafusos da tampa traseira



Detach the front cover
 Desmontar la carcasa frontal
 Démontez le couvercle frontal
 Den Frontdeckel entfernen
 Levare il coperchio frontale
 Desmontar a tampa frontal



Locate flowswitch. Flow direction is shown by the arrow on top.
 (Default: right to left)

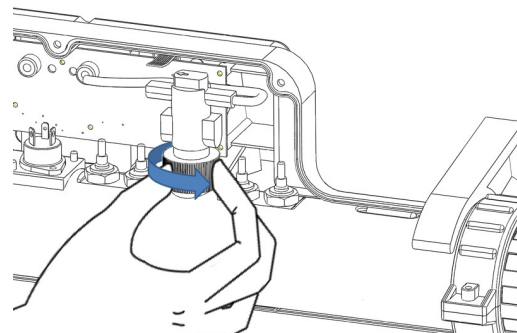
Localizar el flujostato. La dirección del flujo viene dada por la flecha superior. (Por defecto drcha. a izq.)

Localiser le détecteur de débit. La direction du débit est indiquée par une flèche en haut. (Ex usine de droite à gauche).

Den Durchflussschalter auffindig machen. Die Wasserrichtung wird mit einem Pfeil angezeigt (werksseitig von rechts nach links eingestellt)

Localizzare il flussostato. La direzione è indicata con una freccia in alto. (Franco fabbrica da destra a sinistra).

Localizar o fluxostato. O sentido do fluxo é indicado pela seta superior. (Por defeito dta. para a esq.)



Unscrew nut until flowswitch main part is able to rotate.
 Do not unscrew totally!

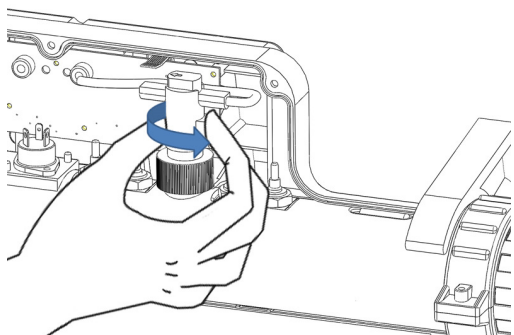
Desenroscar el flujostato hasta que el cuerpo pueda girar. ¡No desenroscar por completo!

Desserter le détecteur de débit à palette jusqu'à que la partie puisse virevolter. Ne pas desserrer complètement !

Den Durchflussschalter abschrauben bis dieser nicht mehr aufdreht. Nicht komplett aufschrauben!

Svitare il flussostato fino a che questo non giri più. Non svitare completamente!

Desenroscar o fluxostato até que o corpo possa girar. Não desenroscar completamente!



Rotate flowswitch main part 180° until arrow points left to right.

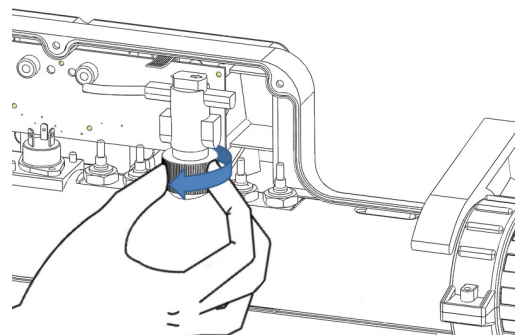
Girar el cuerpo del flujostato 180° hasta que la flecha apunte de izda a drcha.

Tourner le détecteur de débit de 180° jusqu'à que la flèche indique de gauche à droite.

Den Durchfluss-Körper drehen um 180° bis der Pfeil von links nach rechts zeigt.

Girare il flussotato a 180° fino a che la freccia indichi da sinistra a destra.

Girar o corpo do fluxostato 180° até que a seta indique da esq. para a dta.



Screw nut back and ensure that it is completely locked to achieve desired watertightness.

Volver a enroscar el flujostato hasta que quede perfectamente ajustado para conseguir la estanqueidad.

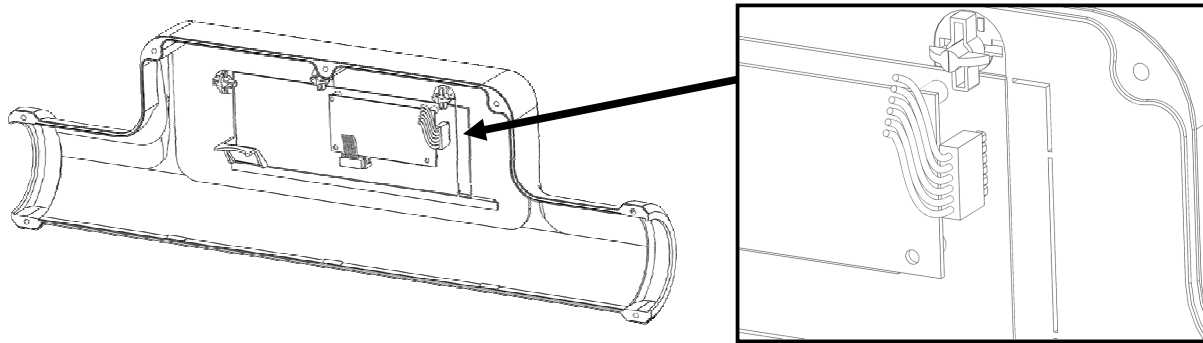
Revisser le détecteur de débit de nouveau jusqu'à ce qu'il soit parfaitement ajuster et étanche.

Den Durchflussschalter wieder einschrauben bis dieser perfekt eingeschraubt ist um die Dichtheit sicher zu stellen.

Avvitare di nuovo fino a che sia perfettamente calzato e stangno.

Voltar a enroscar o fluxostato até ficar perfeitamente ajustado para conseguir a estanqueidade

IMG 12



Factory setting: water enters through the right side of the heater and exits through the left side.

Configuración de fábrica: el agua entra por la parte derecha del equipo y sale por la izquierda.

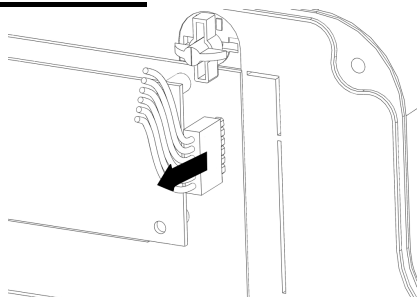
Configuration d'usine: L'eau entre dans l'échangeur de la partie droite et sort de la partie gauche.

Werkseitig tritt das Wasser von rechts ein und von links aus.

Configurazione di fabbrica: L'acqua entra dalla nell'apparecchio dalla parte destra ed esce dalla sinistra.

Configuração de fábrica: a água entra pela parte direita do aparelho e sai pela esquerda.

IMGS 13



Pull back connector to disconnect it.

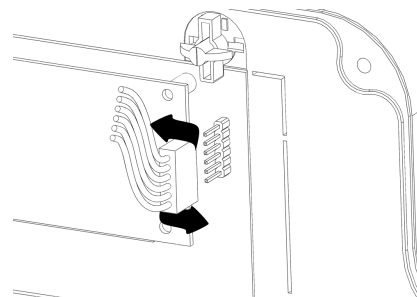
Tirar del conector hacia atrás para desconectarlo.

Tirer du connecteur en arrière.

Stecker ausziehen

Tirare della spina.

Puxar o conector para trás para desligá-lo.



Flip the connector.

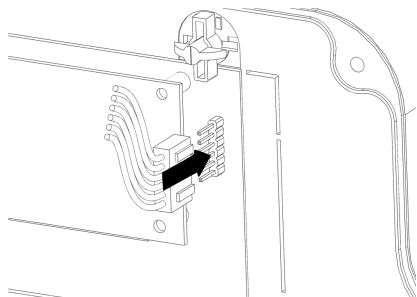
Girar el conector.

Tourner le connecteur.

Stecker umdrehen.

Girare la spina.

Girar o conector



Reconnect. Be particularly careful to connect all pins.

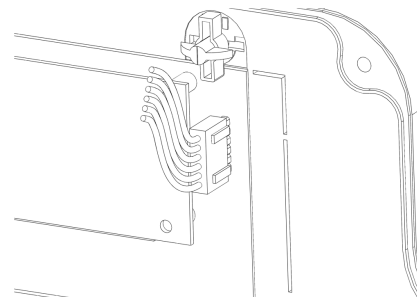
Volver a conectar. Tener especial cuidado para conectar todos los pines.

Reconnecter. Faire spécial attention que tous les pins soient connectés.

Stecker wieder einstecken. Sorgfalt, dass alle Pins angeschlossen werden.

Riconnettere la spina. Fare speciale attenzione che tutti i chiodi siano bene connessi.

Voltar a ligar. Ter especial cuidado para ligar todos os pins.



Final aspect for water inlet through the left side of the heater.

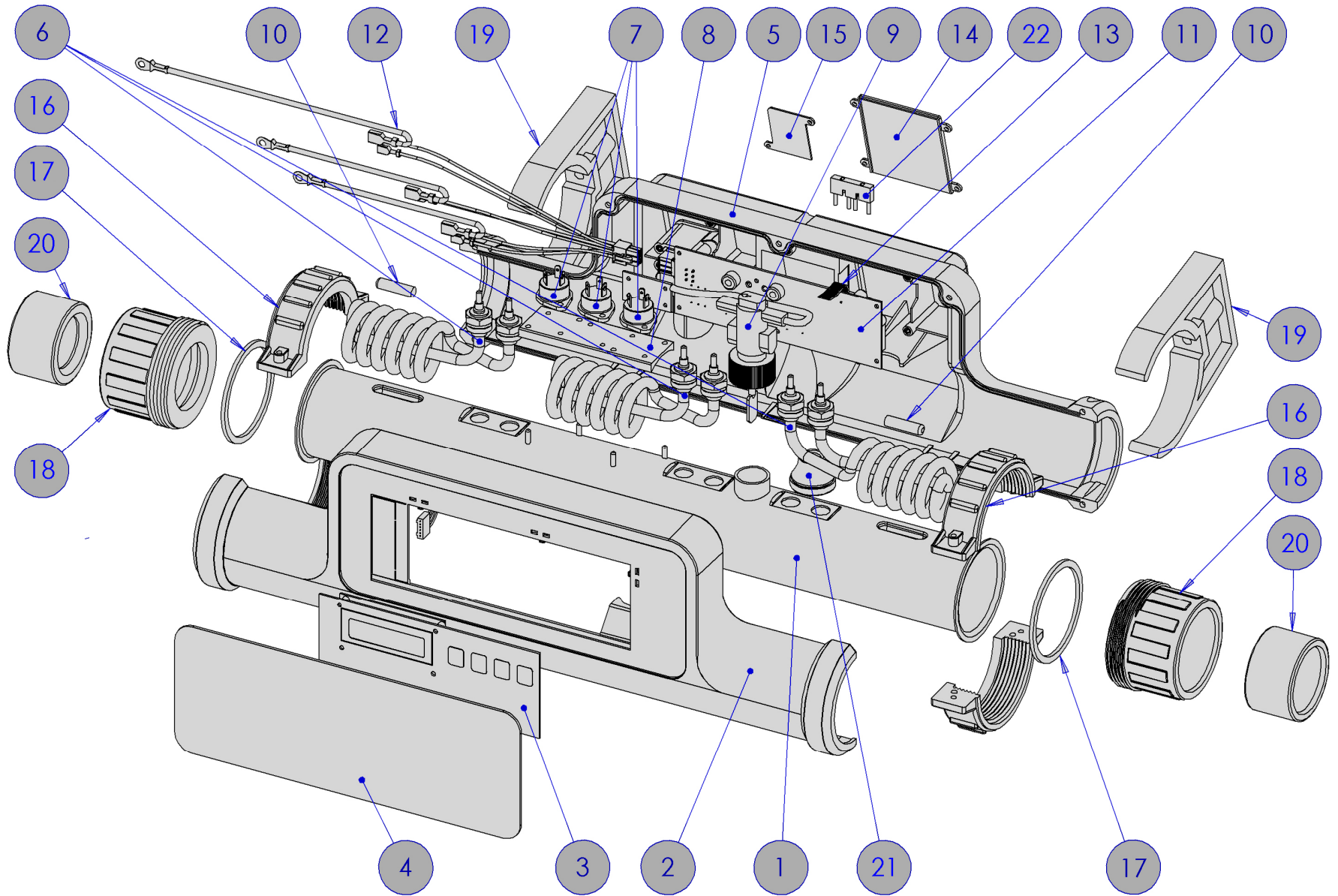
Aspecto final para configuración de entrada de agua por la izquierda del equipo.

Aspect final pour la configuration d'entrée d'eau de gauche à droite.

So sieht schlussendlich der Stecker aus nach der Konfiguration mit Wassereingang von links nach rechts.

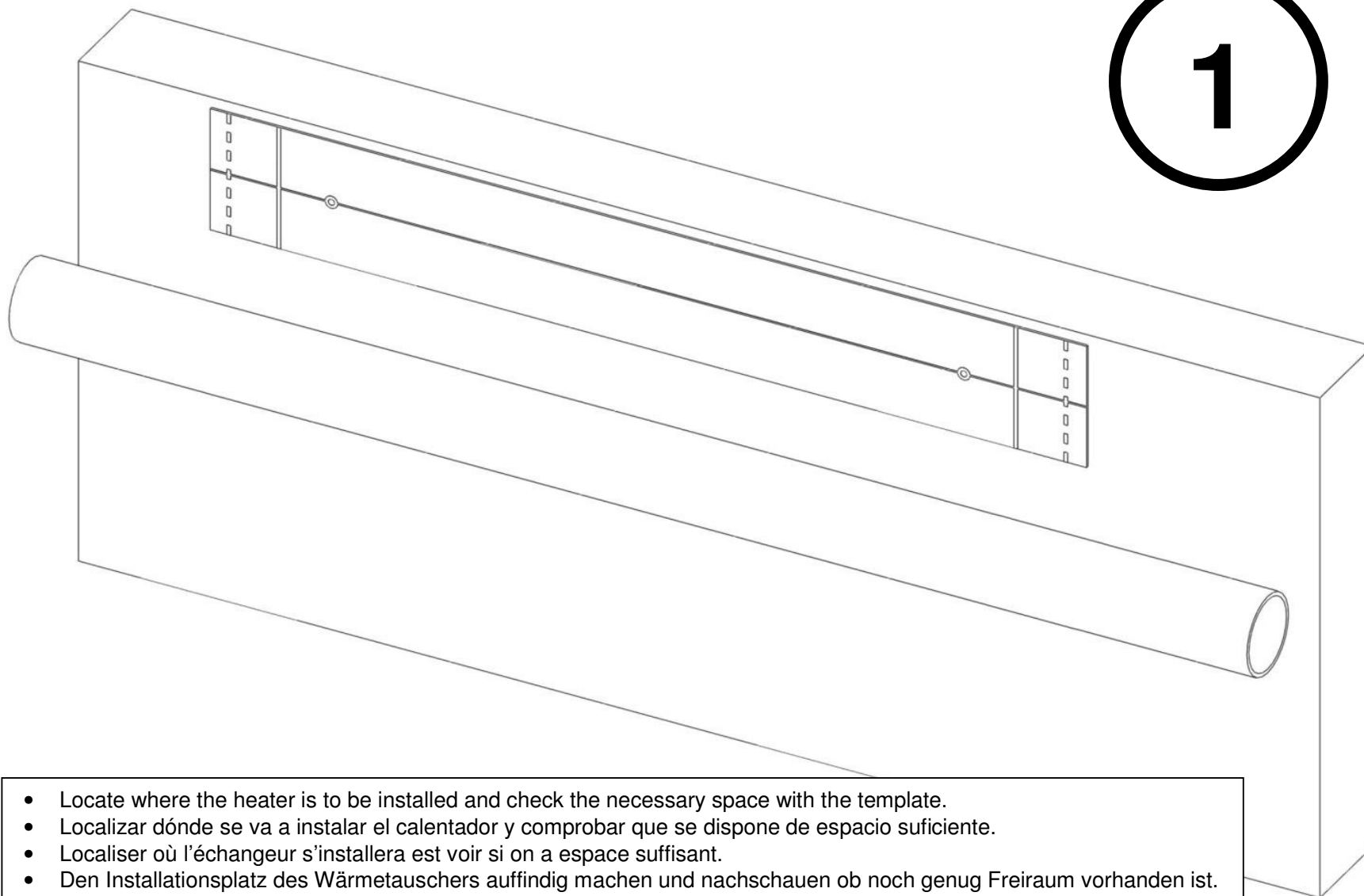
Aspetto finale della configurazione di entrata d'acqua da sinistra a destra.

Aspecto final para configuração de entrada de água pela esquerda do aparelho.



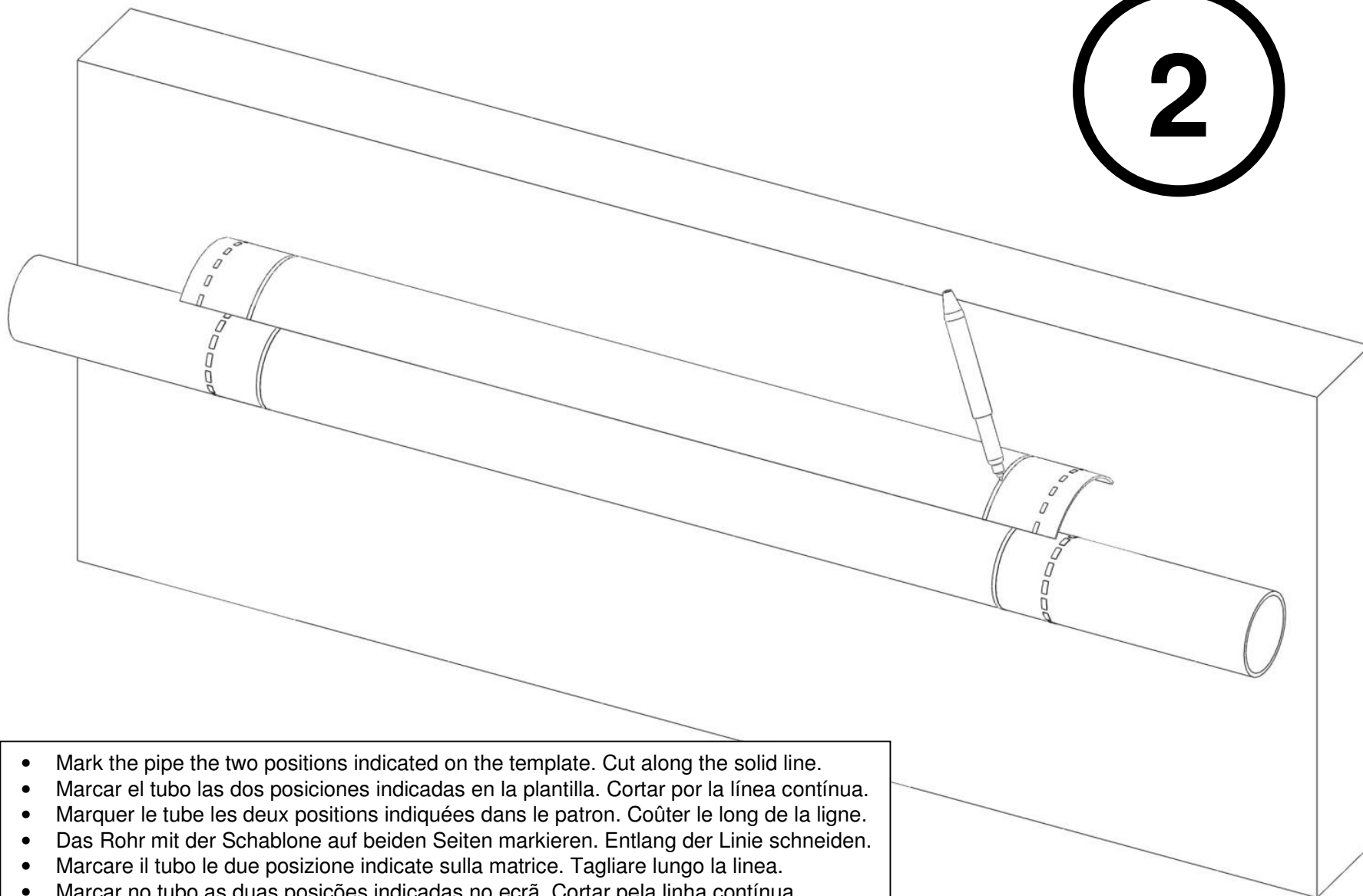
PART Nº	DESCRIPTION			MODEL	CODE
1	STAINLESS STEEL 316 TUBE ROHR INOX 316	TUBO INOXIDABLE 316 TUBO ACCIAIO INOX 316	TUBE ACIER INOXYDABLE 316 TUBO DE AÇO INOXIDAVEL 316	ALL	60170R0001
2	FRONT COVER FRONT-DECKEL	TAPA FRONTAL COPERCHIO DISPLAY	COUVERCLE FRONTAL TAMPA FRONTAL	ALL	60170R0002
3	DISPLAY PCB DISPLAY-LEITERPLATTE	TARJETA DISPLAY PIASTRINA DISPLAY	AFFICHAGE CARTE IMPRIMÉE PLACA DISPLAY	ALL	60170R0003
4	DISPLAY COVER DISPLAY-DECKEL	TAPA DISPLAY COPERCHIO DISPLAY	COUVERCLE DISPLAY TAMPA PLACA DISPLAY	ALL	60170R0004
5	REAR COVER RÜCK-DECKEL	TAPA TRASERA COPERCHIO DIDIETRO	COUVERCLE ARRIÈRE TAMPA TRASEIRA	ALL	60170R0005
6	HEATING ELEMENT	RESISTENCIA ELECTRICA	RÉSISTANCE DE CHAUFFAGE	3Kw 6Kw 9Kw 12Kw 18Kw	60170R0006
	HEIZELEMENT	RESISTENZA DI RISCALDAMENTO	RESISTENCIA DE AQUECIMENTO		60171R0001 60172R0001 60173R0001 60174R0001
7	TRIAC TRIAC	TRIAC TRIAC	TRIAC TRIAC	ALL	60170R0007
8	TRIAC MOUNTING STÜTZE TRIAC	SOPORTE TRIAC APPOGGIO TIRAC	APPUI TRIAC SUPPORTE TRIAC	ALL	60170R0008
9	FLOWSWITCH DURCHFLUSSSCHALTER	FLUJOSTATO RIVELATORE DI FLUSSO	DÉTECTERU DE FLUX FLOXOSTATO	ALL	60170R0009
10	TEMPERATURE PROBE TEMPERATUR-SONDE (FÜHLER)	SONDA TEMPERATURA SONDA DI TEMPERATURA	SONDE DE TEMPÉRATURE SONDA TEMPERATURA	ALL	60170R0010
11	POWER PCB GRUNDLEITERPLATTE	TARJETA POTENCIA PIASTRINA POTENZA	PLAQUE PUISSANCE PLACA POTENCIA	ALL	60170R0011
12	CONNECTION CABLES ANSCHLUSSLEITUNGEN	CABLES DE CONEXION CAVI DI COLLEGAMENTO	CÂBLES DE CONNEXION CABOS DE CONEXÃO	ALL	60170R0012
13	COMMUNICATION BUS KOMMUNIKATIONS-LEITUNGEN	BUS DE COMUNICACION LINIE DI COMUNICAZIONE	LIGNES DE COMMUNICATION LINHAS DE COMUNICAÇÃO	ALL	60170R0013
14	TERMINALS COVER KLEMMEN-DECKEL	TAPA BORNAS COPERCHIO MORSETTO	COUVERCLE BORNES TERMINAIS TAMPA	ALL	60170R0014
15	MODBUS COVER MODBUS-DECKEL	TAPA MODBUS COPERCHIO MODBUS	COUVERCLE MODBUS TAMPA MODBUS	ALL	60170R0015
16	HALF NUT HALBKLAMMER	TUERCA PARTIDA MEZZA DADO	ECROU DEMI MEIO PORCA	ALL	60170R0016
17	GASKET DICHTRING	JUNTA ANELLO DI TENUTA	BAGUE D'ÉTANCHÉITÉ JUNTA	ALL	60170R0017
18	RACORD 63mm ANSCHLUSSSTUTZEN 63mm	RACORD 63mm BOCCHETTONE 63mm	RACCORD 63mm RACORD 63mm	ALL	60170R0018
19	HOLDING CLAMP STÜTZKLAMMER	GRAPA SOPORTE GANCIO SUPPORTO	SUPPORT-CRAMPON PRENDE BRACADEIRA	ALL	60170R0029
20	REDUCING BUSH 63-50mm MINDERUNG 63-50mm	REDUCCION 63-50mm MINORAZIONE 63-50mm	RÉDUCTION 63-50mm REDUÇÃO 63mm	ALL	60170R0020
21	CABLE GLAND IP67 WANDDURCHFÜHRUNG IP67	PASAMUROS IP67 PASSAMURI IP67	TRAVERSÉ À PAROI IP67 PASAMUROS IP67	ALL	60170R0021
22	ELECTRICAL LOOM ANSCHLUSS	PUENTE DE BORNAS COLLEGAMENTO	LIEN CONEXÃO	3, 6, 9, 12 kW	60170R0022

1



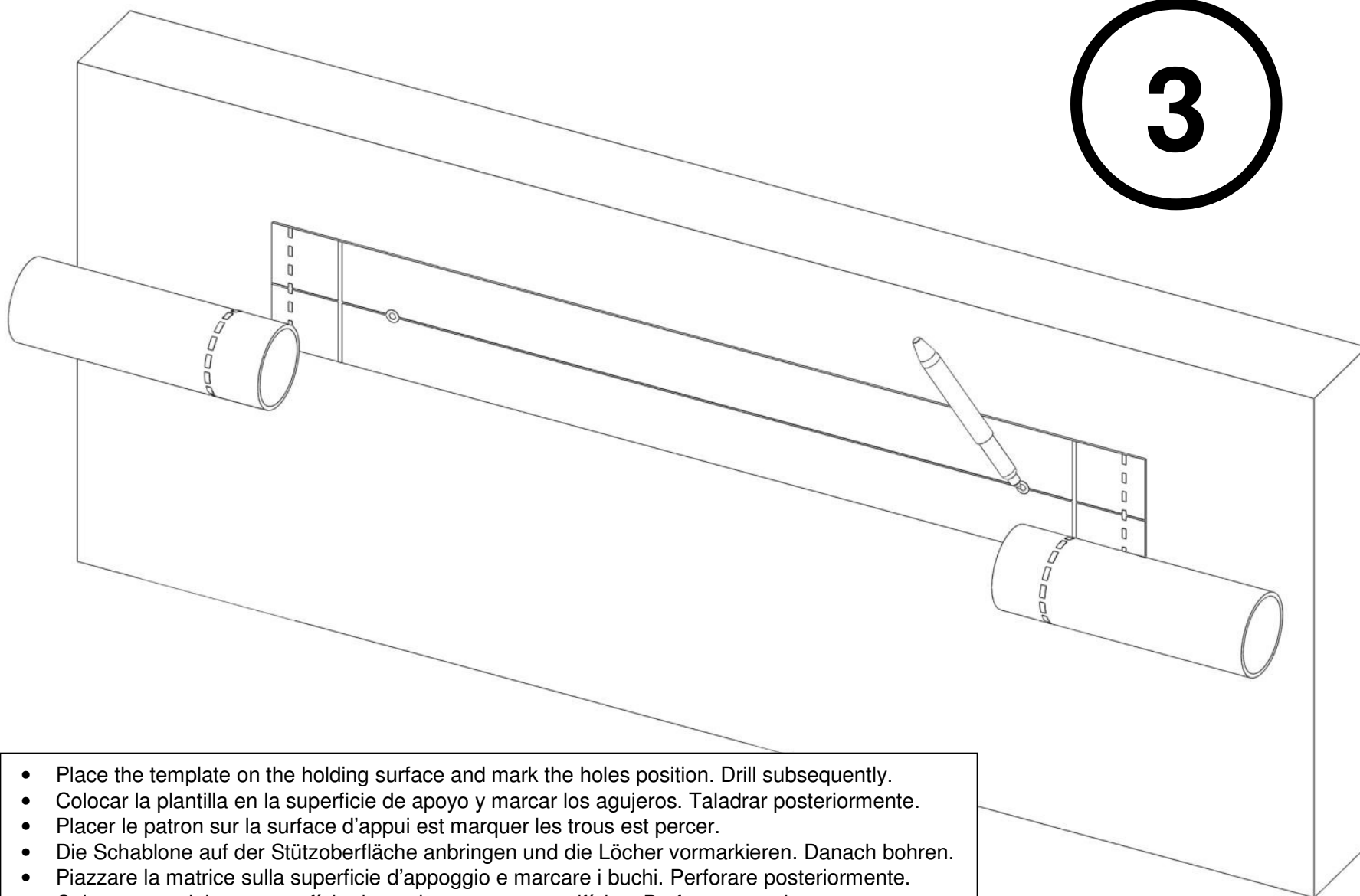
- Locate where the heater is to be installed and check the necessary space with the template.
- Localizar dónde se va a instalar el calentador y comprobar que se dispone de espacio suficiente.
- Localiser où l'échangeur s'installera est voir si on a espace suffisant.
- Den Installationsplatz des Wärmetauschers auffindig machen und nachschauen ob noch genug Freiraum vorhanden ist.
- Localizzare dove s'installerà lo scambiatore e comprovare se c'e ancora spazio abbastanza.
- Localizar onde se vai instalar o aquecedor e comprobar que existe espaço suficiente.

2



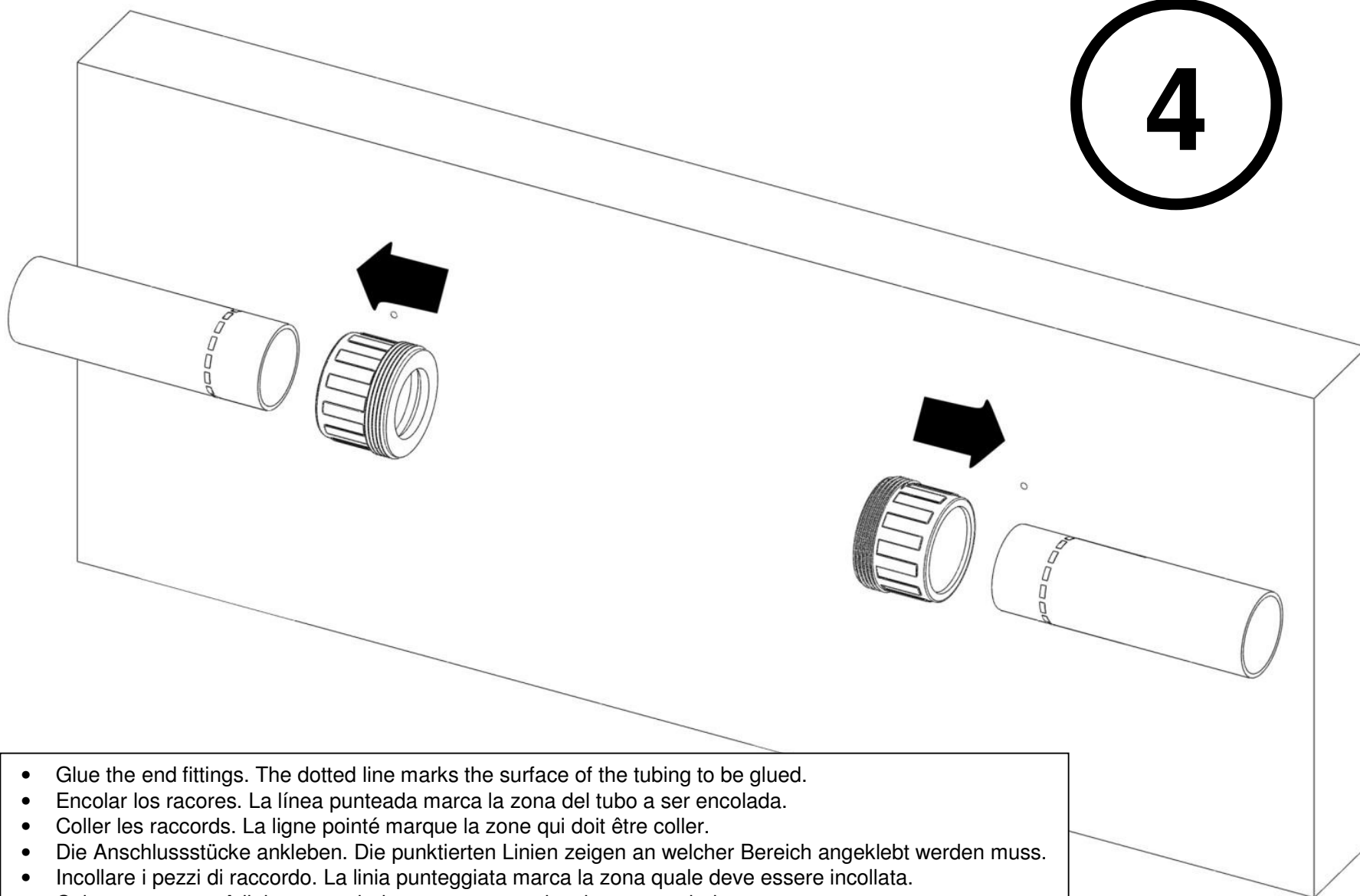
- Mark the pipe the two positions indicated on the template. Cut along the solid line.
- Marcar el tubo las dos posiciones indicadas en la plantilla. Cortar por la línea continúa.
- Marquer le tube les deux positions indiquées dans le patron. Coûter le long de la ligne.
- Das Rohr mit der Schablone auf beiden Seiten markieren. Entlang der Linie schneiden.
- Marcare il tubo le due posizioni indicate sulla matrice. Tagliare lungo la linea.
- Marcar no tubo as duas posições indicadas no ecrã. Cortar pela linha continúa.

3



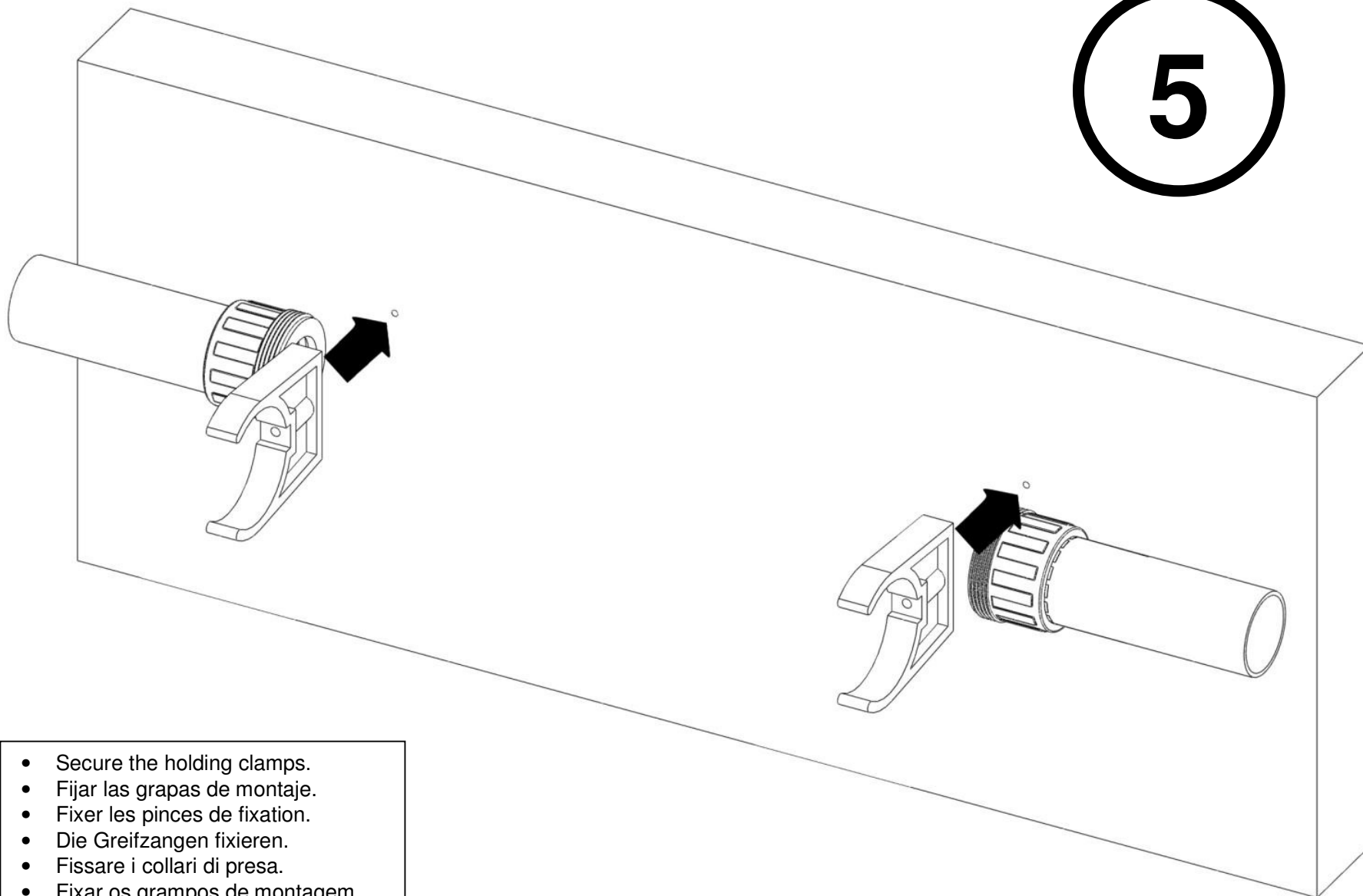
- Place the template on the holding surface and mark the holes position. Drill subsequently.
- Colocar la plantilla en la superficie de apoyo y marcar los agujeros. Taladrar posteriormente.
- Placer le patron sur la surface d'appui est marquer les trous est percer.
- Die Schablone auf der Stützoberfläche anbringen und die Löcher vormarkieren. Danach bohren.
- Piazzare la matrice sulla superficie d'appoggio e marcare i buchi. Perforare posteriormente.
- Colocar o modelo na superfície de apoio e marcar os orifícios. Perfurar posteriormente.

4



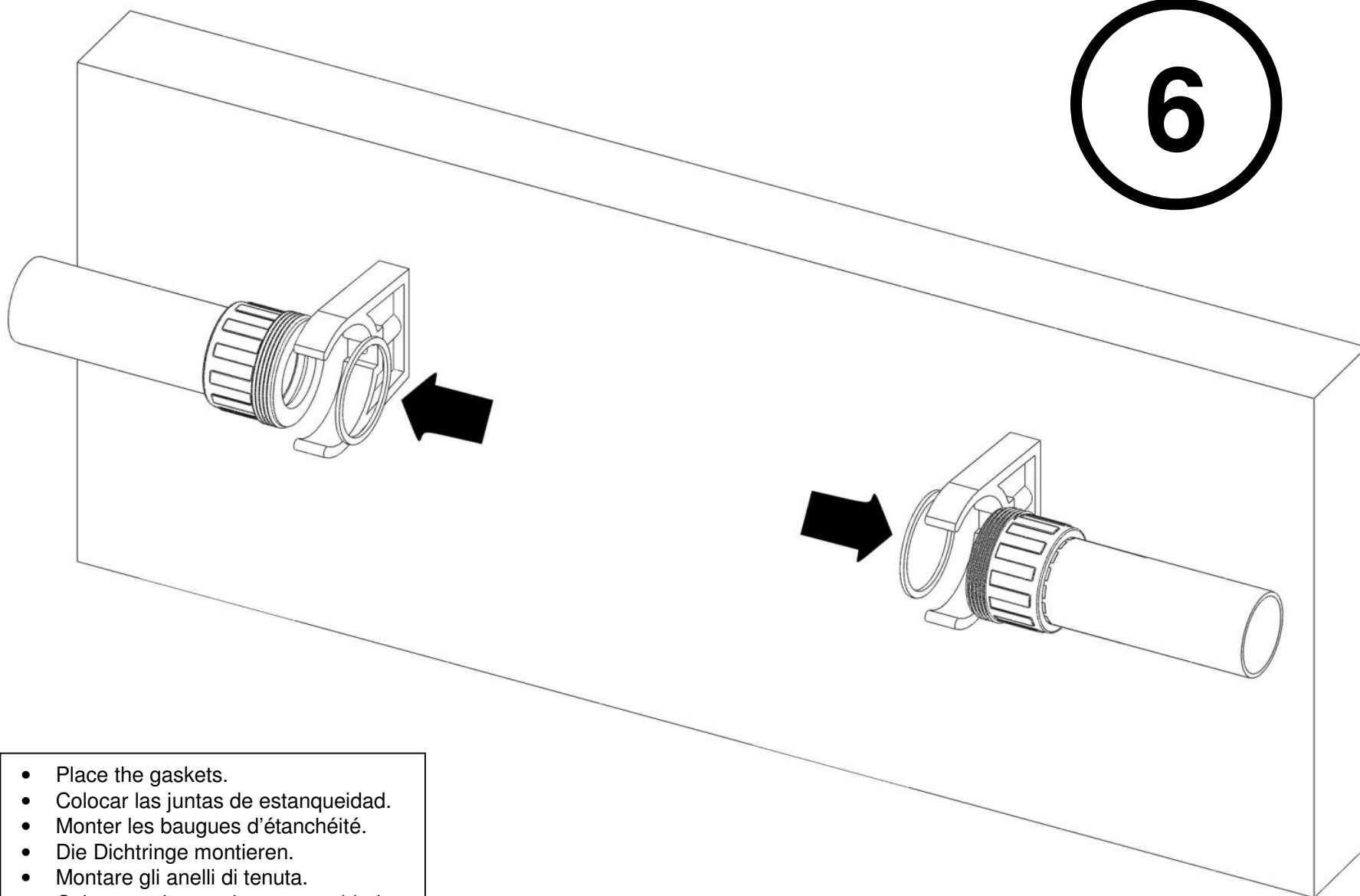
- Glue the end fittings. The dotted line marks the surface of the tubing to be glued.
- Encolar los racores. La línea punteada marca la zona del tubo a ser encolada.
- Coller les raccords. La ligne pointé marque la zone qui doit être coller.
- Die Anschlussstücke ankleben. Die punktierten Linien zeigen an welcher Bereich angeklebt werden muss.
- Incollare i pezzi di raccordo. La linea punteggiata marca la zona quale deve essere incollata.
- Colar os racores. A linha a tracejado marca a zona do tubo a ser colada.

5



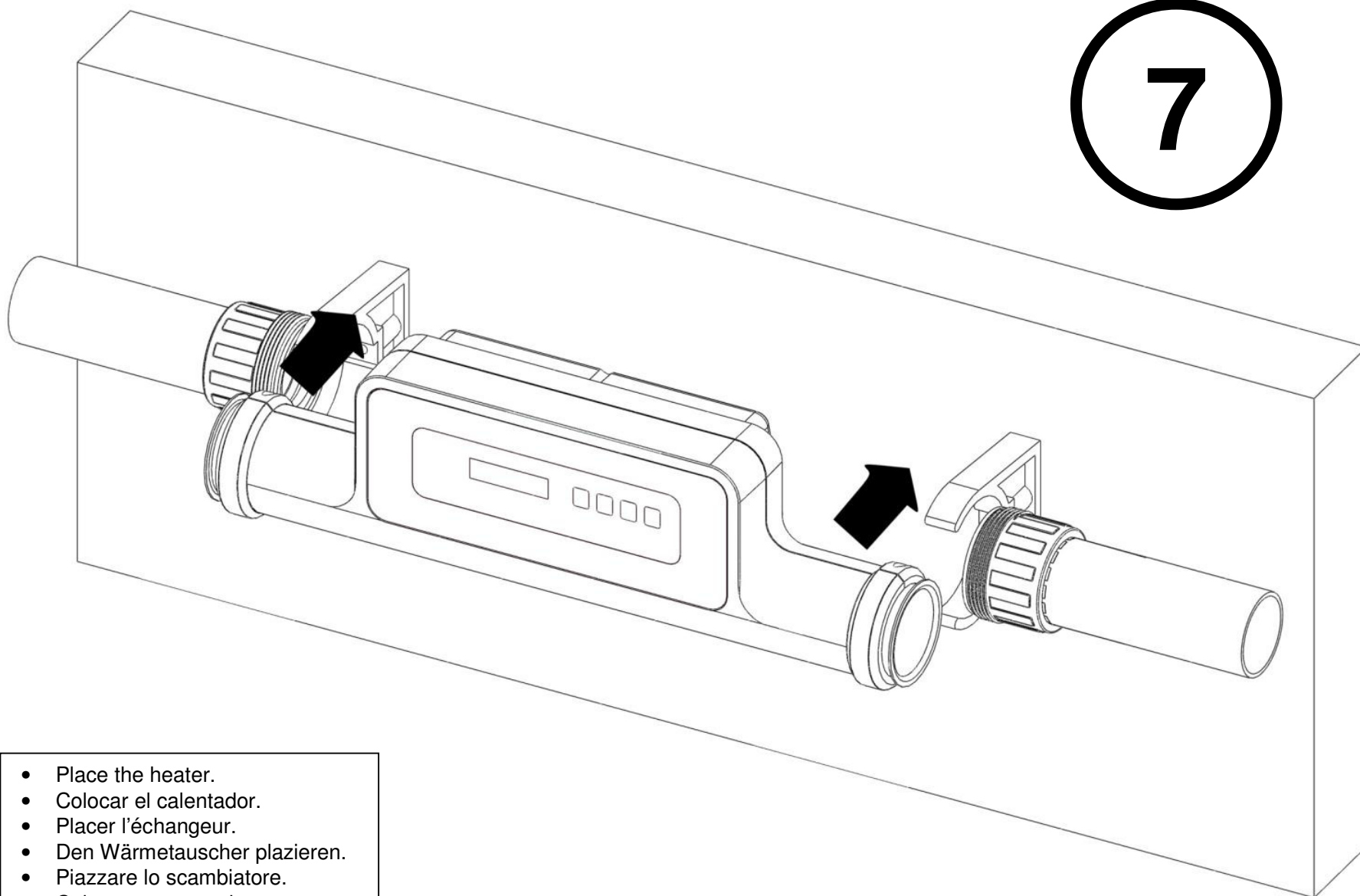
- Secure the holding clamps.
- Fijar las grapas de montaje.
- Fixer les pinces de fixation.
- Die Greifzangen fixieren.
- Fissare i collari di presa.
- Fixar os grampos de montagem.

6



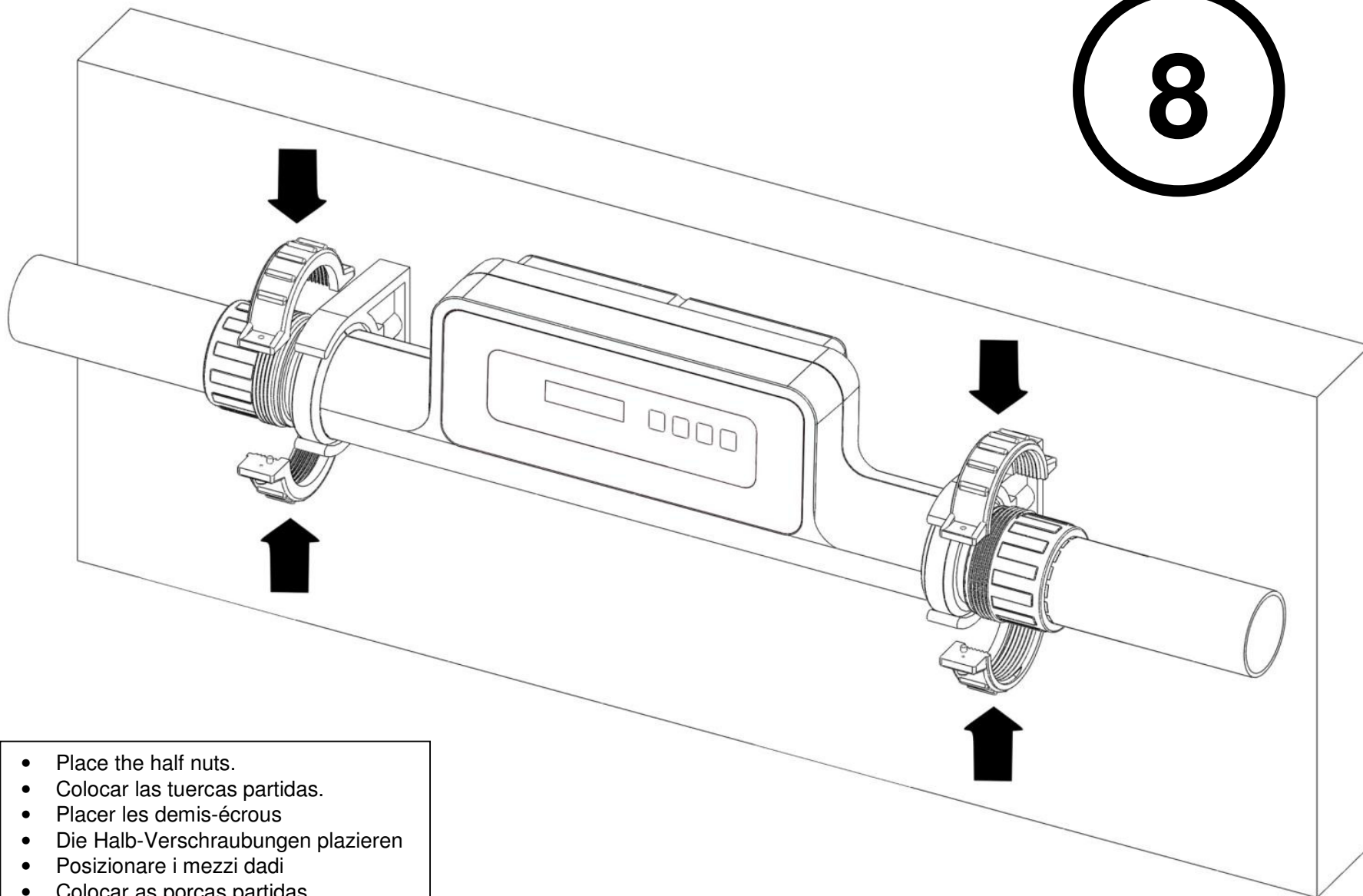
- Place the gaskets.
- Colocar las juntas de estanqueidad.
- Monter les baugues d'étanchéité.
- Die Dichtringe montieren.
- Montare gli anelli di tenuta.
- Colocar as juntas de estanqueidade.

7



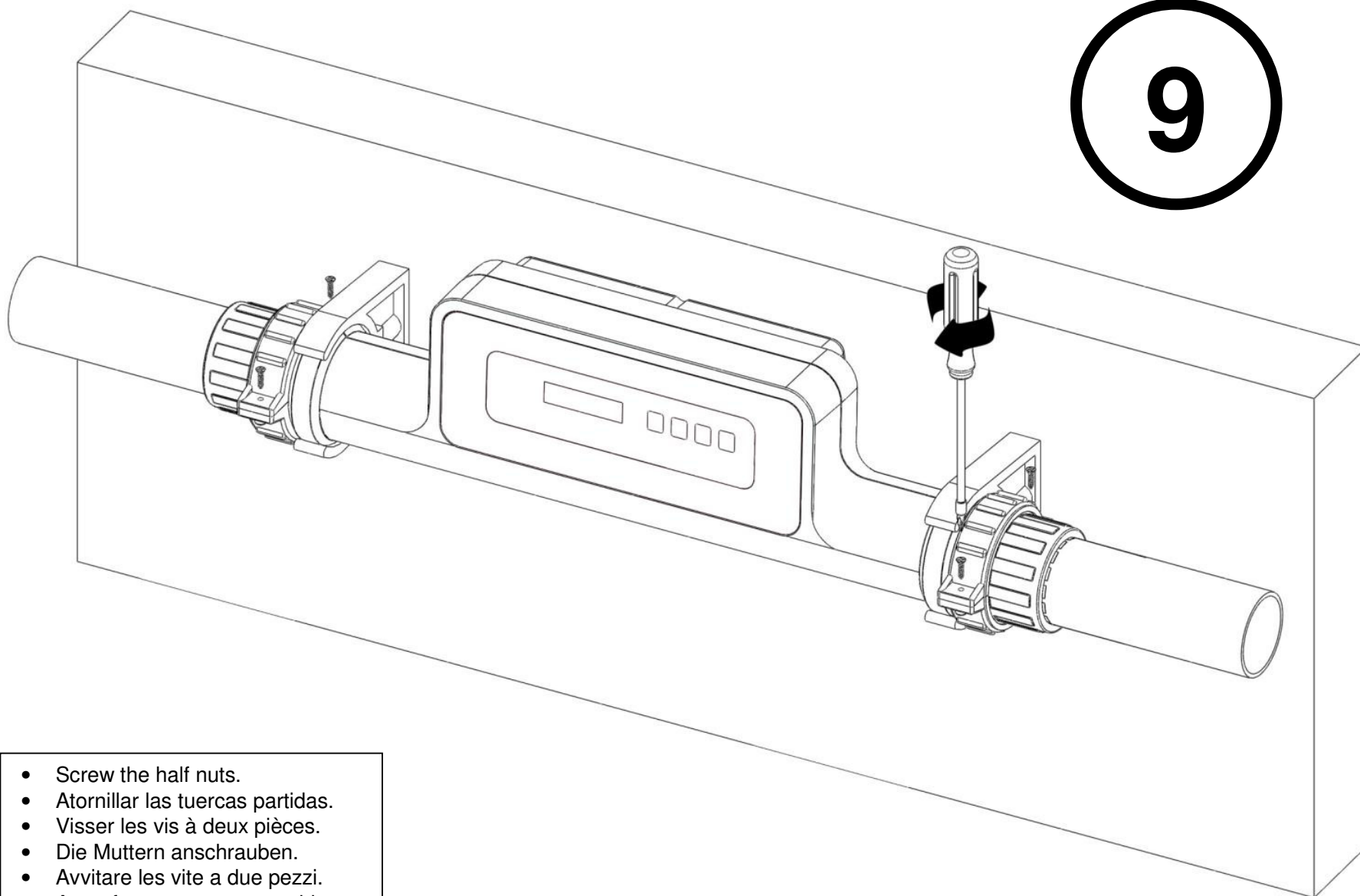
- Place the heater.
- Colocar el calentador.
- Placer l'échangeur.
- Den Wärmetauscher plazieren.
- Piazzare lo scambiatore.
- Colocar o aquecedor.

8



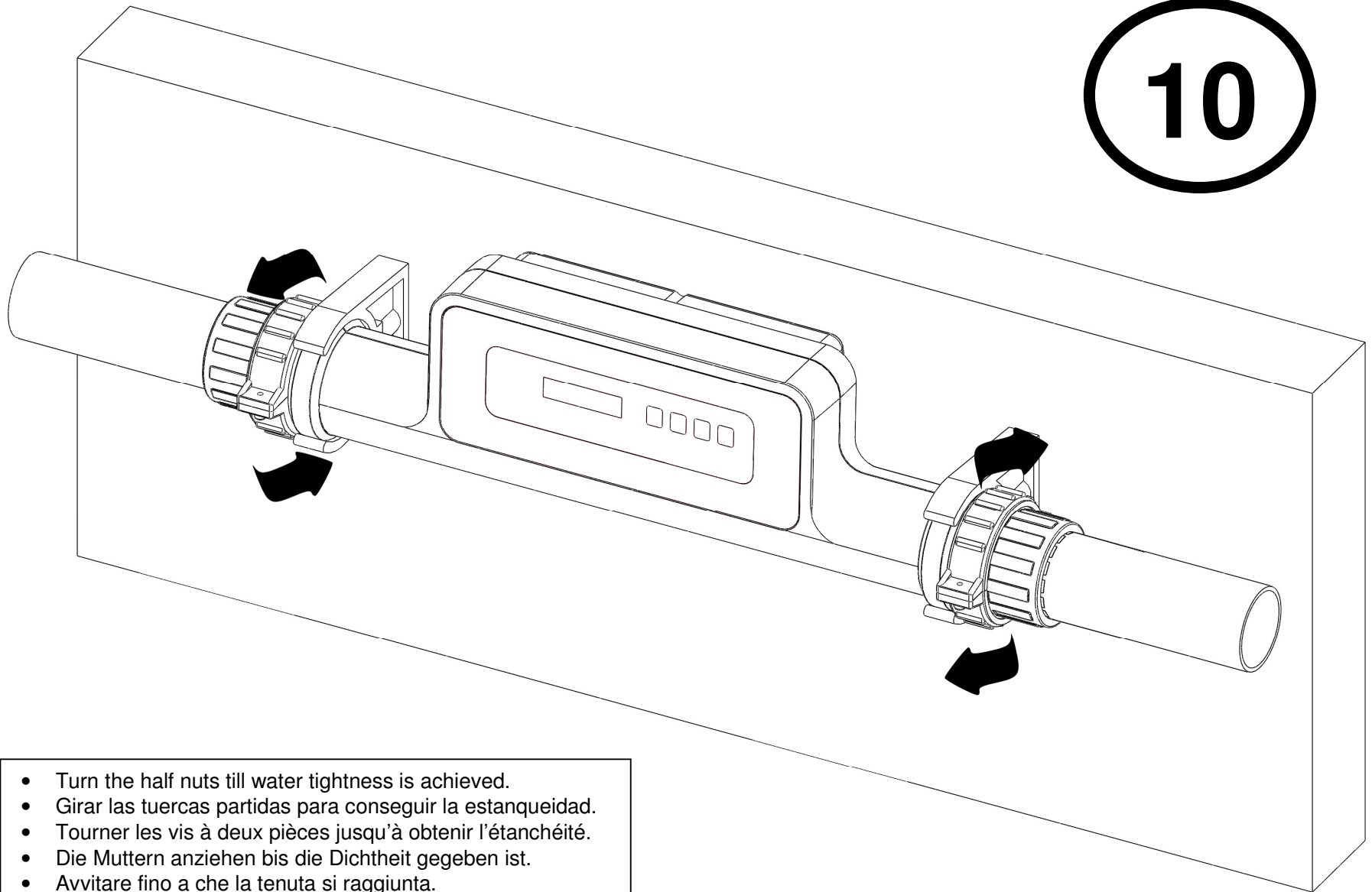
- Place the half nuts.
- Colocar las tuercas partidas.
- Placer les demis-écrous
- Die Halb-Verschraubungen plazieren
- Posizionare i mezzi dadi
- Colocar as porcas partidas.

9



- Screw the half nuts.
- Atornillar las tuercas partidas.
- Visser les vis à deux pièces.
- Die Muttern anschrauben.
- Avvitare les vite a due pezzi.
- Aparafusar as porcas partidas.

10



- Turn the half nuts till water tightness is achieved.
- Girar las tuercas partidas para conseguir la estanqueidad.
- Tourner les vis à deux pièces jusqu'à obtenir l'étanchéité.
- Die Muttern anziehen bis die Dichtheit gegeben ist.
- Avvitare fino a che la tenuta si raggiunta.
- Girar as porcas partidas para conseguir a estanqueidade.



Declares under their own responsibility that all the heaters: COMPACT® Electric Heat Exchanger
Manufactured since 31/07/2013, independent of the serial number, are in compliance with:

Machine safety directive 2006/42/EC.
Electromagnetic compatibility directive 2004/108/EC and its modifications.
Low-voltage equipment directive 2006/95/EC.

Restrictions in the use of certain risky substances in the electrical and electronic instruments 2002/95/EC (RoHS).
Relative to the electrical and electronic waste products 2002/96/EC (RAEE).

Relative to the electrical and electronic instruments and the management of their waste products Spanish R.D.
208/2005.

The registration, the evaluation, the authorization and the restriction of the chemical substances EC N° 1907/2006
(REACH).

Declara bajo su única responsabilidad que todos los intercambiadores de calor eléctricos del tipo: COMPACT®
Electric Heat Exchanger

Producidas a partir del 31/07/2013, independientemente del número de serie, son conformes con:

Directiva de seguridad de máquinas 2006/42/CE.
Directiva de compatibilidad electromagnética 2004/108/CE, y sus modificaciones.
Directiva de equipos de baja tensión 2006/95/CE.

Directiva sobre restricciones a la utilización de determinadas sustancias peligrosas en aparatos eléctricos y
electrónicos 2002/95/CE (RoHS).

Directiva sobre residuos de aparatos eléctricos y electrónicos 2002/96/CE (RAEE).

Real Decreto 208/2005 sobre aparatos eléctricos y electrónicos y la gestión de sus residuos.

Reglamento relativo al registro, la evaluación, la autorización y la restricción de las sustancias y preparados químicos
CE N° 1907/2006 (REACH).

Déclare sous sa seule responsabilité que toutes les échangeurs de chaleur électriques du type: COMPACT® Electric
Heat Exchanger

Fabriquées a partir du 31/07/2013, indépendamment du numéro de série, sont conformes avec:

Directive de sécurité de machines 2006/42/CE.
Directive de compatibilité électromagnétique 2004/108/CE, et ses modifications.
Directive d'appareils de basse tension 2006/95/CE.

Directive relative à la limitation de l'utilisation de certaines substances dangereuses dans les équipements électriques
et électroniques 2002/95/CE (RoHS).

Directive relative aux déchets d'équipements électriques et électroniques 2002/96/CE (DEEE).

Espagnol Décret Royal 208/2005 sur les équipements électriques et électroniques et la gestion de leurs déchets.

Règlement concernant l'enregistrement, l'évaluation et l'autorisation des substances chimiques, ainsi que les
restrictions applicables à ces substances (CE) n° 1907/2006 (REACH).



Bescheinigt in alleiniger Verantwortung, dass alle elektrische Wärmetauscher des Typs: COMPACT® Electric Heat Exchanger

Ab 31/07/2013 produziert wurden, unabhängig von der Seriennummer, konform sind mit:

Richtlinie über Maschinensicherheit 2006/42/EG.

Richtlinie über elektromagnetische Verträglichkeit 2004/108/EG und ihre Änderungen

Richtlinie über Geräte mit Niederspannung 2006/95/EG.

Richtlinie 2002/95/EG zur Beschränkung der Verwendung bestimmter gefährlicher Stoffe in Elektro- und Elektronikgeräten (RoHS)

Richtlinie 2002/96/EG über Elektro- und Elektronik-Altgeräte.

Spanisch Königliches Dekret 208/2005 über die Elektro- und Elektronik-Altgeräte und die Bewältigung ihrer Abfälle.
Verordnung (EG) Nr. 1907/2006 zur Registrierung, Bewertung, Zulassung und Beschränkung chemischer Stoffe (REACH).

Dichiara sotto la sua diretta responsabilità che tutti gli scambiatori di calore elettrici del tipo: COMPACT® Electric Heat Exchanger

Prodotti a partire dal 31/07/2013, indipendentemente dal numero di serie, sono conformi a:

Direttiva sulla sicurezza macchine 2006/42/CE.

Direttiva sulla compatibilità elettromagnetica 2004/108/CE, e relative modifiche.

Direttiva sui dispositivi a bassa tensione 2006/95/CE.

Direttiva 2002/95/CE sulla restrizione dell'uso di determinate sostanze pericolose nelle apparecchiature elettriche ed elettroniche (RoHS).

Direttiva 2002/96/CE sui rifiuti di apparecchiature elettriche ed elettroniche (RAEE).

Spagnolo Regio Decreto 208/2005 sulle apparecchiature elettriche ed elettroniche e la gestione dei loro rifiuti.
Regolamento (CE) N° 1907/2006 concernente la registrazione, la valutazione, l'autorizzazione delle sostanze chimiche (REACH).

Declara sob sua única responsabilidade que todos aquecedores eléctricos do tipo: COMPACT® Electric Heat Exchanger

Prozuidas a partir de 31/07/2013, independentemente do número de séria são conformes com:

A Directiva de segurança de máquinas 2006/42/CE.

A Directiva de compatibilidade electromagnética 2004/108/CE, e suas modificações.

Directiva de equipamentos de baixa tensão 2006/95/CE.

Directiva 2002/95/CE relativa à restrição do uso de determinadas substâncias perigosas em equipamentos eléctricos e electrónicos (RoHS).

Directiva 2002/96/CE relativa aos resíduos de equipamentos eléctricos e electrónicos (REEE).

Espanhol Real Decreto 208/2005, em equipamentos eléctricos e electrónicos e gestão dos seus resíduos.
Regulamento (CE) N.o 1907/2006 relativo ao registo, avaliação, autorização e restrição dos produtos químicos (REACH).



- EN** WE RESERVE THE RIGHT TO CHANGE ALL OR PART OF THE FEATURES OF THE ARTICLES OR CONTENTS OF THIS DOCUMENT, WITHOUT PRIOR NOTICE
- ES** NOS RESERVAMOS EL DERECHO DE CAMBIAR TOTAL O PARCIALMENTE LAS CARACTERÍSTICAS DE NUESTROS ARTÍCULOS O CONTENIDO DE ESTE DOCUMENTO SIN PREVIO AVISO.
- FR** NOUS NOUS RÉSERVONS LE DROIT DE MODIFIER EN TOUT OU EN PARTIE LES CARACTÉRISTIQUES DE NOS ARTICLES OU LE CONTENU DE CE DOCUMENT SANS AVIS
- DE** DE WIR BEHALTEN UNS DAS RECHT VOR, DIE CHARAKTERISTIKA UNSERER PRODUKTE ODER DEN INHALT DIESES DOKUMENTS OHNE VORHERIGE ANKÜNDIGUNG VOLLSTÄNDIG ODER TEILWEISE ZU ÄNDERN.
- IT** CI RISERVIAMO IL DIRITTO DI MODIFICARE IN TUTTO O IN PARTE LE CARATTERISTICHE DEI NOSTRI ARTICOLI O CONTENUTO DI QUESTO DOCUMENTO SENZA PREAVVISO.
- NE** WIJ BEHOUDEN ONS HET RECHT VOOR OM DE KENMERKEN VAN DE ARTIKELS OF DE INHOUD VAN DIT DOCUMENT ZONDER VOORAF GAANDE KENNISGEVING GEHEEL OF GEDEELTELIJK TE WIJZIGEN.
- PO** RESERVAMO-NOS O DIREITO DE ALTERAR TOTAL OU PARCIALMENTE AS CARACTERÍSTICAS DOS NOSSOS ARTIGOS OU O CONTEÚDO DESTE DOCUMENTO SEM AVISO PRÉVIO.