

 Read the Back
Guide Before Use

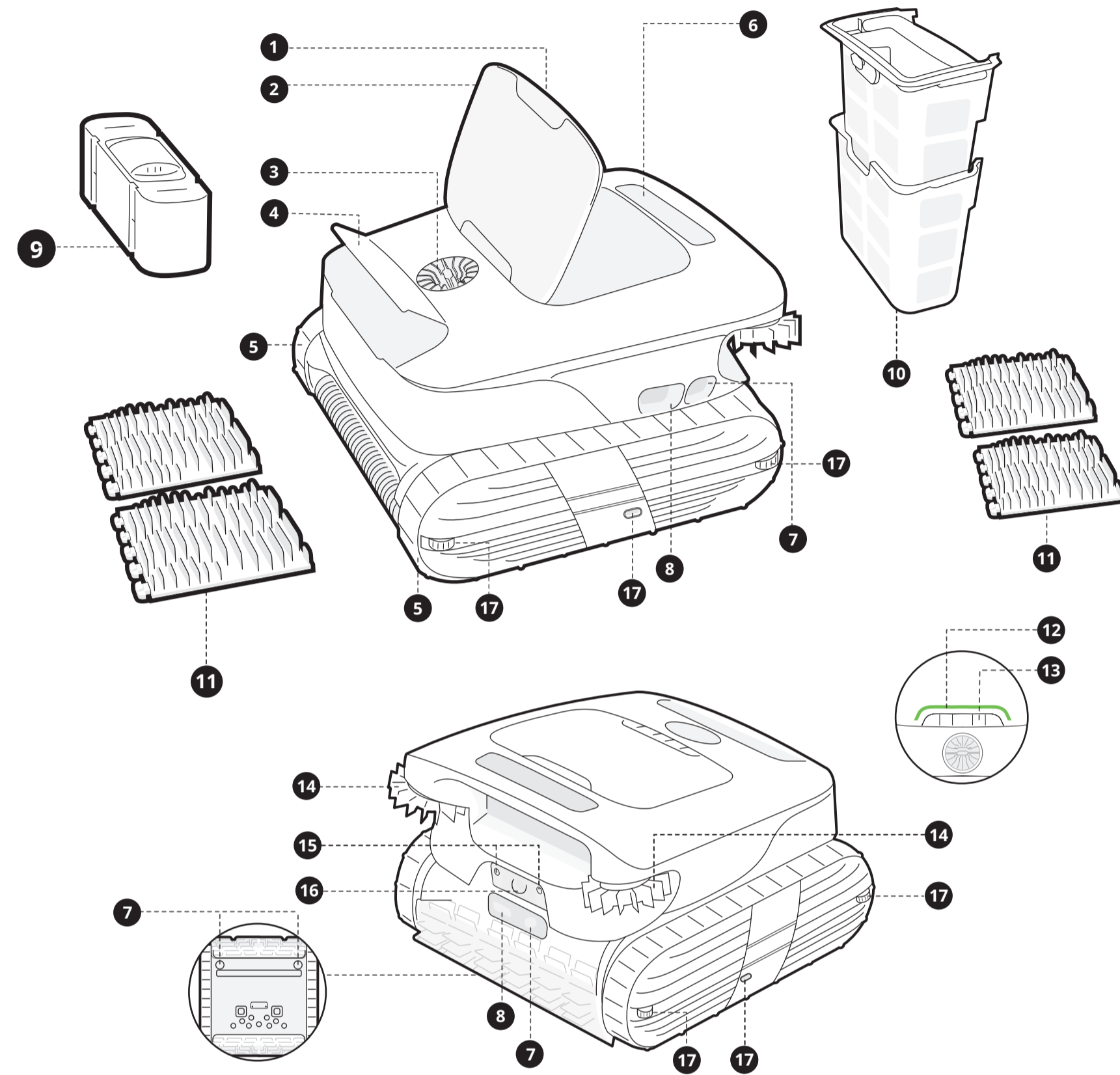
AquaSense 2 Ultra

Quick Start Guide

Beatbot

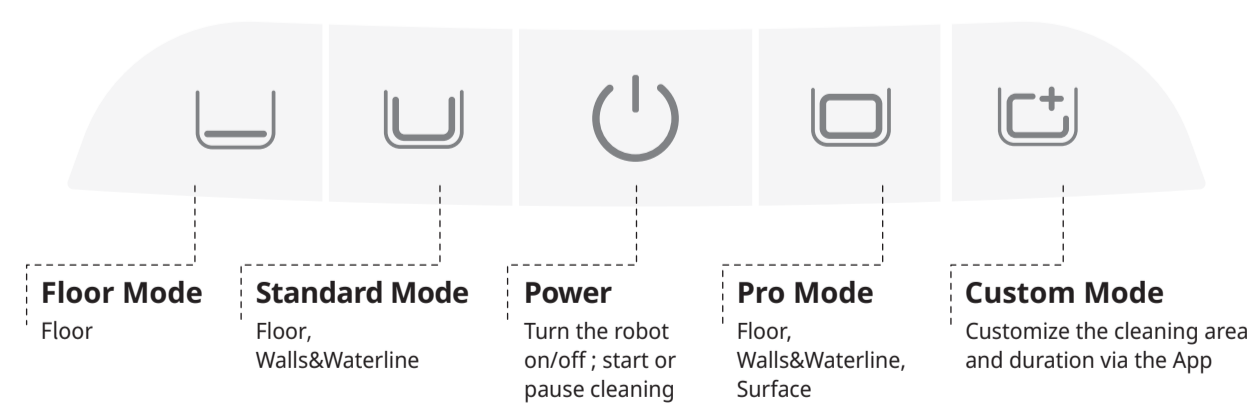
Beatbot Quick Start Guide

Product Structure Diagram



- | | | |
|-----------------------|----------------------------|--------------------------|
| 1 Push-to-Open Switch | 7 Ultrasonic Sensor*4 | 15 Mode Button |
| 2 Filter Basket Cover | 8 TOF Sensor*2 | 14 Side Brush*2 |
| 3 Water Outlet | 9 Clarifying Agent Kit | 15 Supplementary Light*2 |
| 4 Agent Kit Cover | 10 Dual Filter Basket | 16 AI Vision Sensor |
| 5 Track Wheel*2 | 11 Dual-Group Roller Brush | 17 Guide Wheel*6 |
| 6 Handle | 12 Panel Indicator | |

Robot Button



Tip After customizing the cleaning area and duration within the App, these settings will be synchronized to the custom mode button.

1 Installation

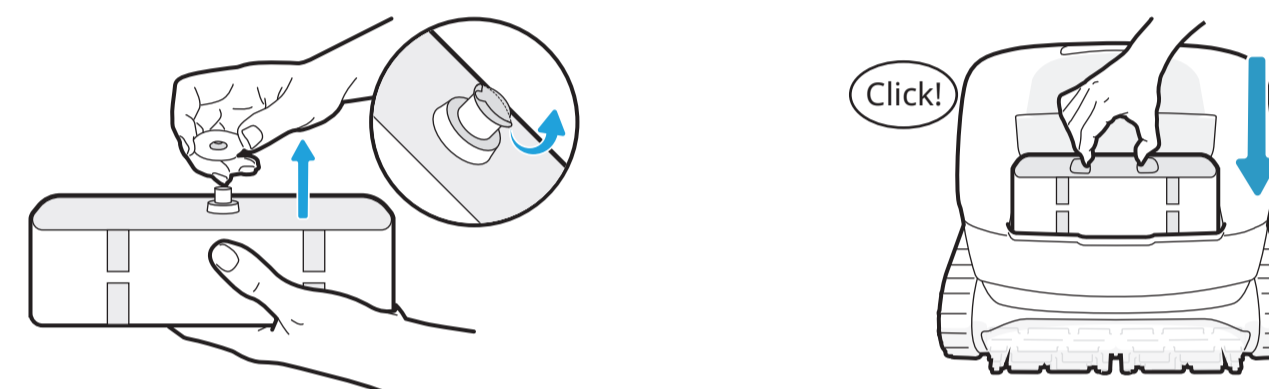
1. Side Brush

- Attach one end of the brush to the protrusion
- Rotate the brush around the hub and secure the other end to the protrusion



2. Clarifying Agent Kit

- Remove the cap and tear off the aluminum film
- Install it onto the robot with the interface facing down



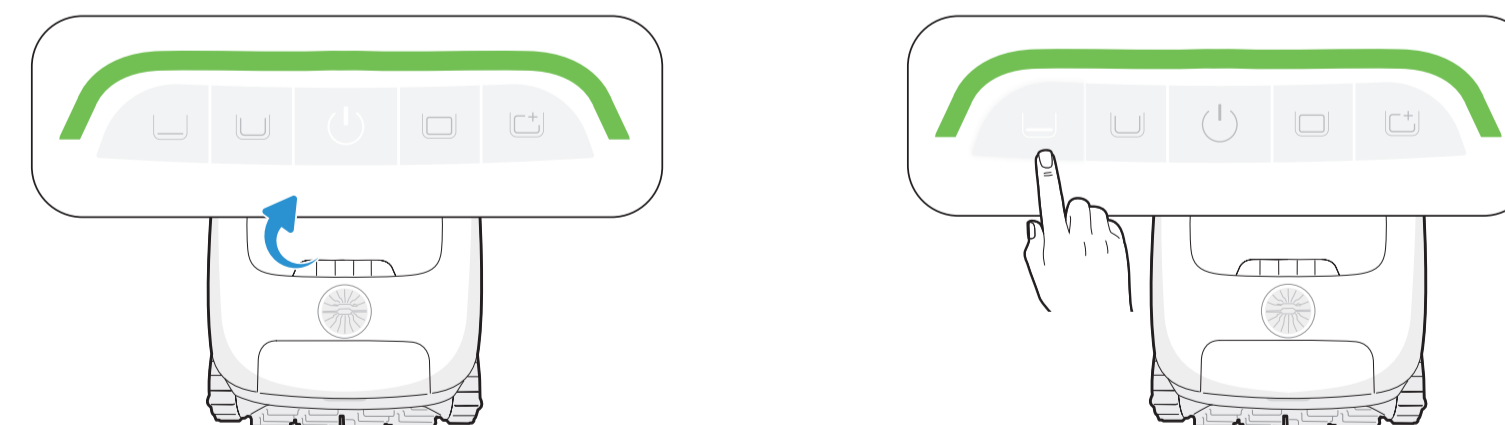
3. Charging Dock

- Install the bracket properly
- Place the robot onto it and start charging



3 Preparations Before Cleaning

- Make sure the robot is sufficiently charged before using
- Select the cleaning mode



- Place the robot on a level surface and wait for about 5s for it to calibrate
- Put the robot into the water gently to start cleaning



2 Network Configuration

1. APP Download

Scan the QR code to download the latest version of the App. You can either scan the QR code or search for "Beatbot" in the App Store or Google Play to download the latest App.



2. Robot Connection

Press the "Power" and "Floor Mode" buttons simultaneously for about 3s, and when you see the indicator flashing blue, the robot is ready for network setup. Then, you can choose either of the following methods to complete the connection:

A Add via Bluetooth

Turn on Bluetooth on your phone. Tap "Add Device" on the home page, and it will automatically find your robot.

B Scan to Add

Tap "Scan to Add" on the home page and point your camera at the QR code.

C Add Manually

Tap the "Add Device" on the home page and choose your robot model.

- Tips**
- Make sure your robot is turned on.
 - Make sure both your phone and robot are on the same strong Wi-Fi network and within 1 m of each other.

4 Precautions Before Use

- Before cleaning, please make sure there are no foreign objects such as towels or toys in the pool.
- Avoid animals and people from entering the pool during cleaning.
- For optimal cleaning results, it's recommended to operate the robot separately from the circulation pump.
- If it's your first time using the pool this season, manually remove any large debris first. Then, use the robotic pool cleaner to maintain cleanliness. Starting with manual cleaning prevents the robot's filter from clogging quickly due to leftover debris.

Reach out to us is easy!

E-mail: service@beatbot.com
 Official Website: www.beatbot.com
 North America Toll Free: (833) 702-4399
 Mon-Sun 9:00 am-6:00 pm (CST)



Scan to Check E-Manual