 Read the Back  
Guide Before Use

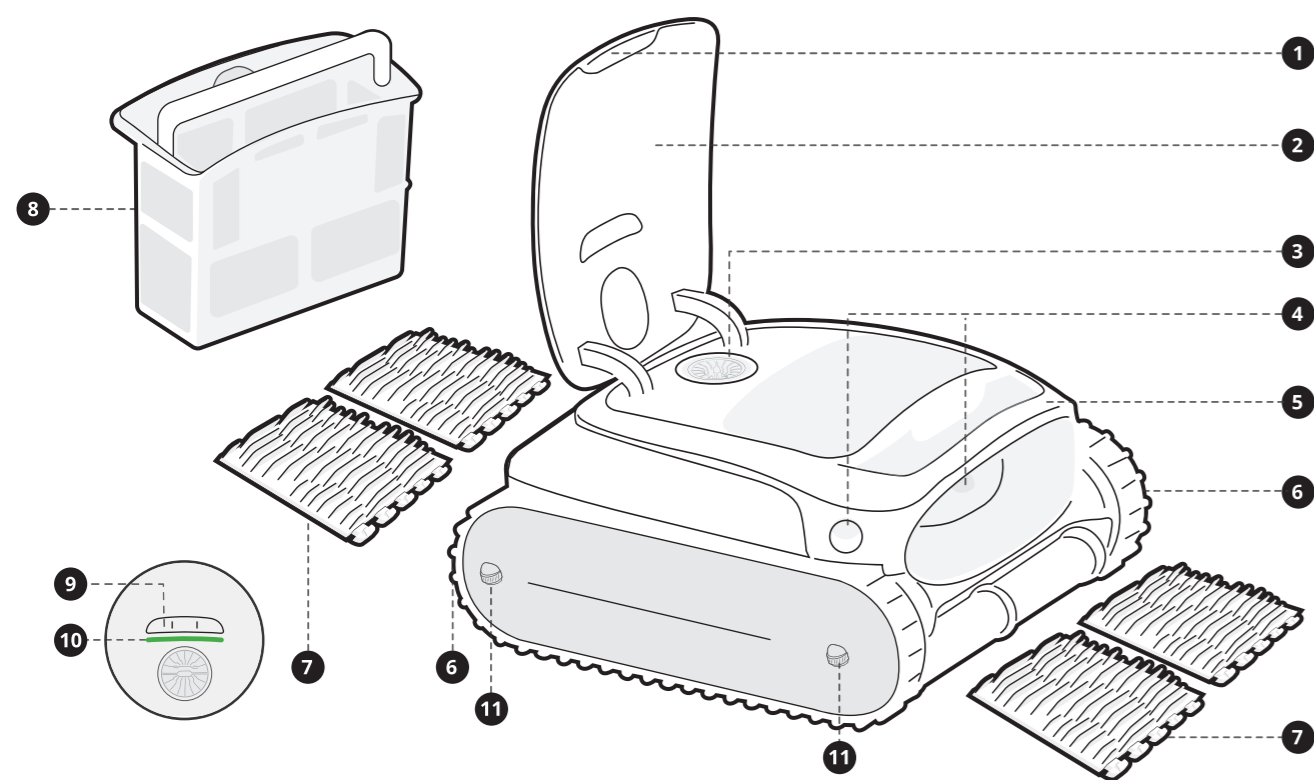
AquaSense 2

# Quick Start Guide

Beatbot

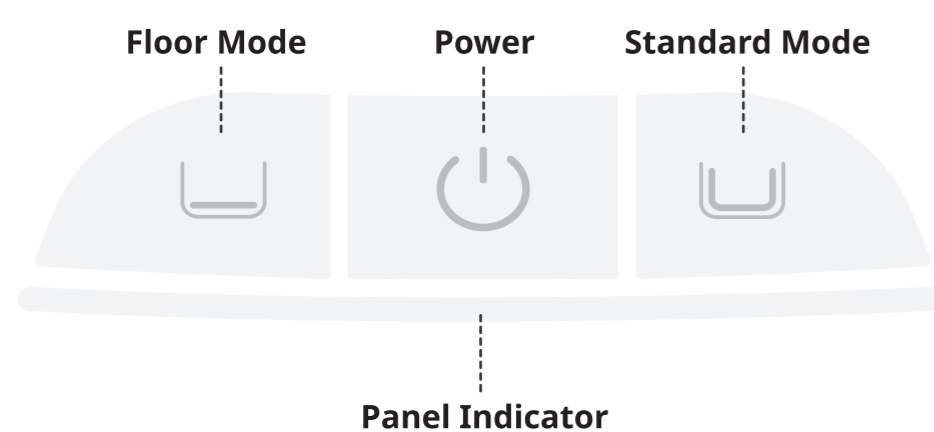
# Beatbot

## Product Structure Diagram



- |                       |                           |                    |
|-----------------------|---------------------------|--------------------|
| 1 Push-to-Open Switch | 5 Handle                  | 9 Mode Button      |
| 2 Filter Basket Cover | 6 Track Wheel*2           | 10 Panel Indicator |
| 3 Water Outlet        | 7 Dual-Group Roller Brush | 11 Guide Wheel*4   |
| 4 Ultrasonic Sensor*2 | 8 Filter Basket           |                    |

## Robot Button&Light Effects

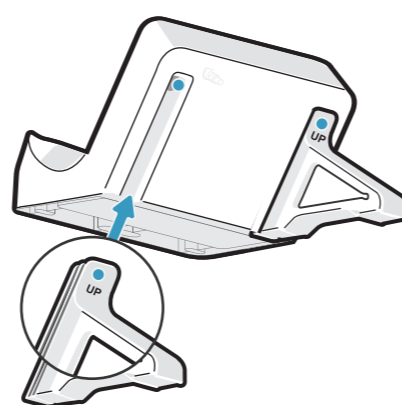


Solid green light		Battery sufficiently charged
Solid yellow light		Battery low
Solid orange light		Battery nearing depletion
Flashing orange light		Robot malfunction
Flashing blue light		Network configuring/OTA upgrading
Breathing light		Charging

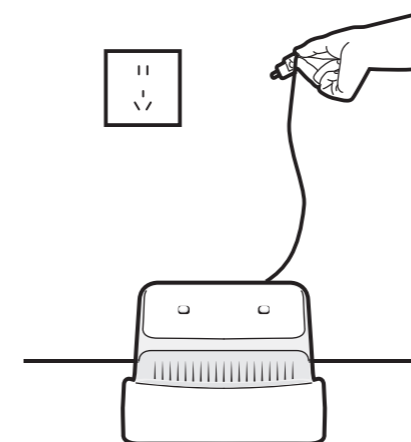
\* During the charging process, the light color reflects the current battery level.

## 1 Installation

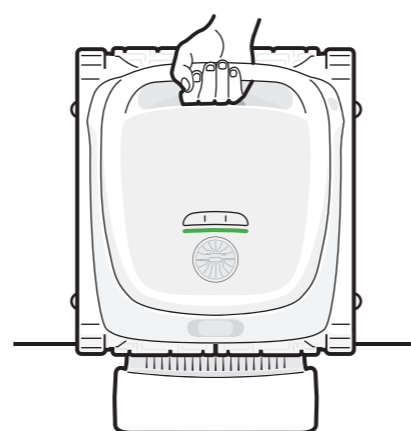
1 Install the bracket properly



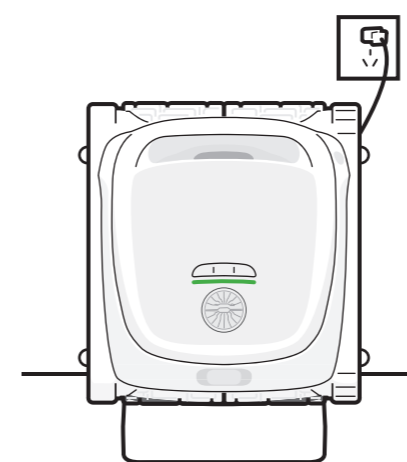
2 Connect the power supply



3 Place the robot onto the charge dock



4 Charging



## 2 Network Configuration

1. APP Download

Scan the QR code to download the latest version of the App  
You can either scan the QR code or search for "Beatbot" in the App Store or Google Play to download the latest App.



2. Robot Connection

Press the "Power" and "Floor Mode" buttons simultaneously for about 3s, and when you see the indicator flashing blue, the robot is ready for network setup. Then, you can choose either of the following methods to complete the connection:

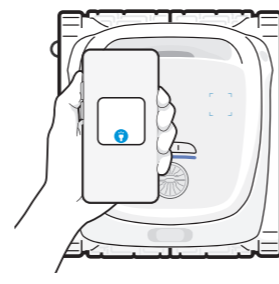
A Add via Bluetooth



Turn on Bluetooth on your phone. Tap "Add Device" on the home page, and it will automatically find your robot.

OR

B Scan to Add



Tap "Scan to Add" on the home page and point your camera at the QR code.

OR

C Add Manually



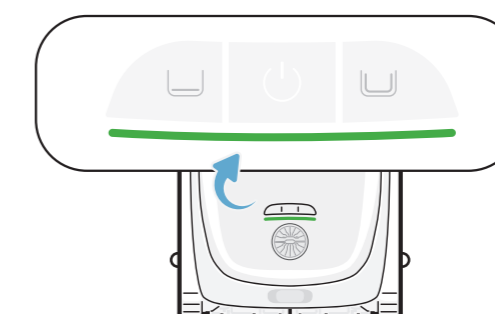
Tap the "Add Device" on the home page and choose your robot model.

**Tips**

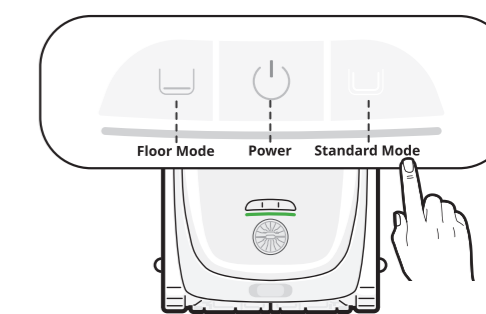
- Make sure your robot is turned on.
- Make sure both your phone and robot are on the same strong Wi-Fi network and within 1 m of each other.

## 3 Preparations Before Cleaning

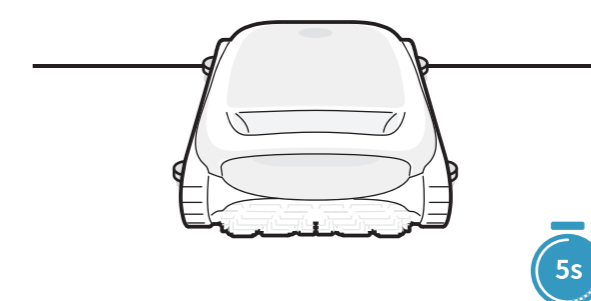
1 Make sure the robot is sufficiently charged before using



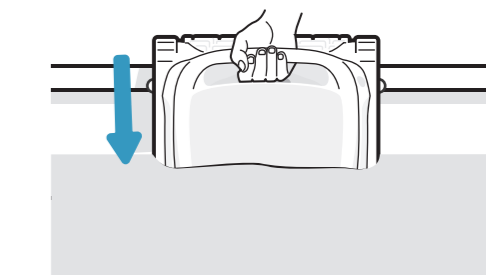
2 Select the cleaning mode



3 Place the robot on a level surface and wait for about 5s for it to calibrate



4 Put the robot into the water gently to start cleaning



**Tip** After placing the robot in the water, please wait 2-3 minutes for it to prepare for cleaning. The robot will sink to the pool floor and release the air from the buoyancy chamber, then begin cleaning automatically.

## 4 Precautions Before Use

- Before cleaning, please make sure there are no foreign objects such as towels or toys in the pool.
- Avoid animals and people from entering the pool during cleaning.
- For optimal cleaning results, it's recommended to operate the robot separately from the circulation pump.
- If it's your first time using the pool this season, manually remove any large debris first. Then, use the robotic pool cleaner to maintain cleanliness. Starting with manual cleaning prevents the robot's filter from clogging quickly due to leftover debris.

**Reach out to us is easy!**

E-mail: [service@beatbot.com](mailto:service@beatbot.com)

Official Website: [www.beatbot.com](http://www.beatbot.com)

North America Toll Free: (833) 702-4399

Mon-Sun 9:00 am-6:00 pm (CST)



Scan to Check E-Manual