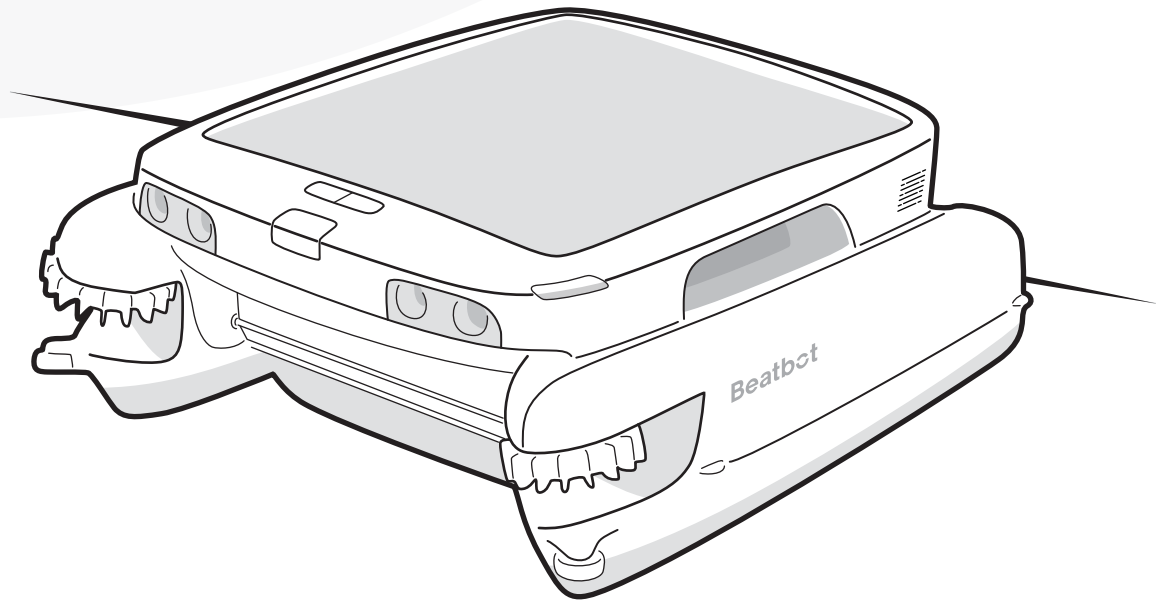


Beatbot

User Manual

iSkim Ultra



LANGUAGE

EN	User Manual	1
FR	Manuel de l'utilisateur	16
ES	Manual de usuario	31
DE	Bedienungsanleitung	46
IT	Manuale d'uso	61

⚠ IMPORTANT SAFETY INSTRUCTIONS

READ ALL INSTRUCTIONS BEFORE USING

When installing and using this electrical equipment, basic safety precautions should always be followed, including the following:

WARNING: Read all safety warnings and instructions. Failure to follow the warnings and instructions may result in electric shock, fire and/or serious injury.

1.1 Warnings and Cautions

- Do not swim when the robot is working in the pool. Take the robot out from the pool when not in use and put it in a sunny area for charging.
- Children shall not play with this device. It is not a toy. Ensure children and pets are kept at a safe distance from the robot while it is operating.
- Do not use when there are other pool cleaning devices in the pool.
- For storage, place the robot in a cool, dry place, and avoid direct sunlight. Do not leave the robot unattended in hot areas outside the pool to prevent serious damage.
- Do not wash the robot using a pressure washer, as it may damage the equipment.
- Avoid using the robot in strong winds, heavy rain, or thunderstorms, as these weather conditions may affect its performance or cause damage.
- Imbalanced pool chemical composition may corrode or degrade the components of the robot. Do not use the robot when the pool is

undergoing shock chlorination. Moreover, avoid using strong chemical cleaners that may damage its outer layer when cleaning the robot.

- Parts will naturally wear out over time with regular use. Components such as side brushes and filters may need to be replaced periodically. Follow the instructions for regular cleaning and maintenance to extend the lifespan of the robot. Use recommended parts and replacements to ensure the optimal performance.
- Keep away from the sharp objects that may damage the surface of the robot. Please note that you should move and operate the robot gently to prevent damage from falls or impacts when handling or operating the robot.
- This device can be used by children aged 8 years and above and persons with physical, sensory, intellectual deficiencies, or limited experience or knowledge under the supervision of a parent or guardian to ensure safe operation and to avoid any risks. Cleaning and maintenance shall not be done by

children without supervision.

- This device contains batteries that can only be replaced by qualified technicians. Do not modify or attempt to repair the robot or the battery except as indicated in the instructions for use and care. Have servicing performed by a qualified repair person using only identical replacement parts.
- Under abusive conditions, battery liquid may be expelled. Avoid contact. If contact occurs, rinse with water. If liquid contacts the eyes, seek medical attention. Battery liquid may cause irritation or burns.
- Do not use a battery or appliance that is damaged or modified. Damaged or modified batteries may exhibit unpredictable behavior resulting in fire, explosion or risk of injury.
- Do not use any third-party battery or charger. Use only with RMCF01 supply unit specified by the manufacturer. If the supply cord is damaged, it must be replaced by the manufacturer, its service agent or similarly qualified persons in order to avoid a hazard.
- Make sure the robot is turned off and the charger is unplugged before cleaning or performing maintenance.
- Do not expose a battery pack or appliance to fire or excessive temperature. Exposure to fire or tem-

perature above 130°C / 265°F may cause explosion.

- Under normal use of condition, this equipment should be kept a separation distance of at least 20cm between the antenna and the body of the user.
- Switch off the robot before carrying out user maintenance such as cleaning the filter.
- Always disconnect the appliance from the supply before assembling, disassembling or cleaning.
- The robot is not protected against freezing and should not be left outside during freezing water conditions.

1.2 CEC Mode

Press and hold "Power" and "Action" buttons simultaneously to enter CEC mode. And press any button to disable it.

1.3 FCC/IC Statement

Any changes or modifications not expressly approved by the part responsible for compliance could void the user's authority to operate the equipment. This equipment has been tested and found to comply with the limits for a Class B digital device, under part 15 of the FCC Rules. These limits are designed to provide reasonable protection against harmful interference in a residential installation. This equipment generates uses and can radiate radio frequency energy and, if not installed and used in accordance with the instructions, it may cause harmful interference to radio communications. However, there is no guarantee that interference will not occur in a particular installation. If this equipment does cause harmful interference to radio or television reception, which can be determined by turning the equipment off and on, the user is encouraged to try to correct the interference by one or more of the following measures:

- Reorient or relocate the receiving antenna.
- Increase the separation between the equipment and receiver.
- Connect the equipment to an outlet on a circuit different from that to which the receiver is connected.
- Consult the dealer or an experienced radio/TV technician for help.

1.4 MPE Requirements

To satisfy FCC / IC RF exposure requirements, a separation distance of 20 cm or more should be maintained between the antenna of this device and persons during device operation. To ensure compliance, operation closer than this distance is not recommended.

Under normal use conditions, this equipment should be kept a separation distance of at least 20cm between the antenna and the body of the user.

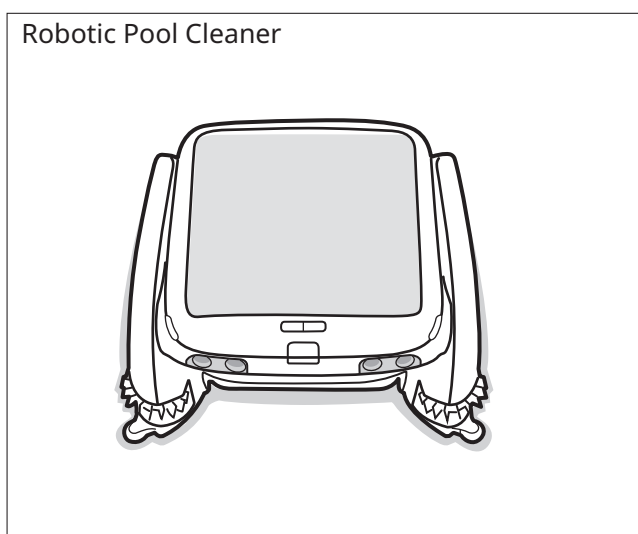
1.5 Water Conditions for Robot Use

Water Depth	≥0.15m/5.9 inches
PH	7.0-7.8
Chlorine	Max 4 PPM
Salt	Max 5000 PPM

2 Product Specifications

Model	iSkim Ultra
Electricity	7.2V \approx 10W
Solar Panel Power	24W
Magnetic Wireless Charger Input	AC 100-240V 50-60Hz
Magnetic Wireless Charger Output	12V
Nominal Capacity	10,000mAh
Charging Time (Magnetic Wireless Charger)	\geq 5 h
Working Temperature	0-35°C/32-95°F
Charging Temperature	0-40°C/32-104°F

3 Packaging accessories



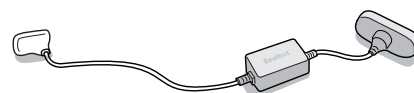
Screwdriver



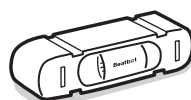
Screws



Magnetic Wireless Charger

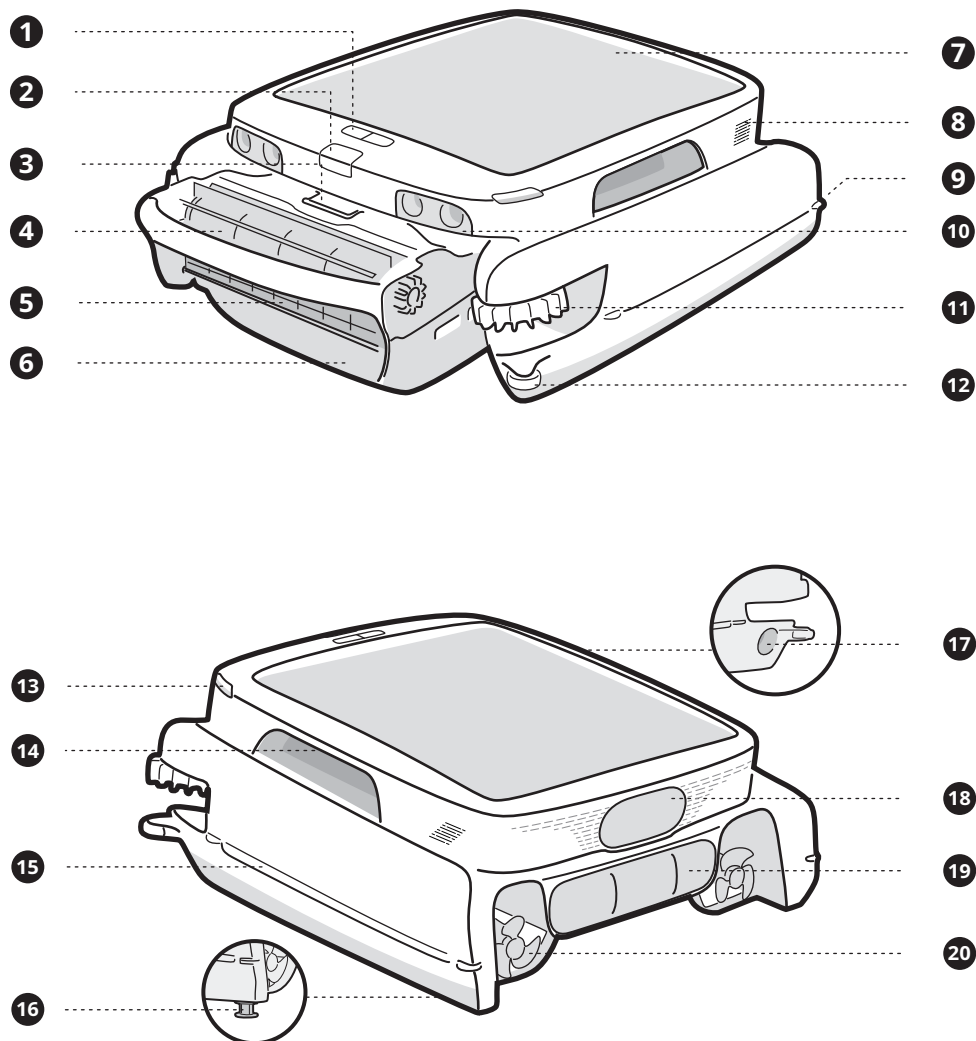


Clarifying Agent Kit



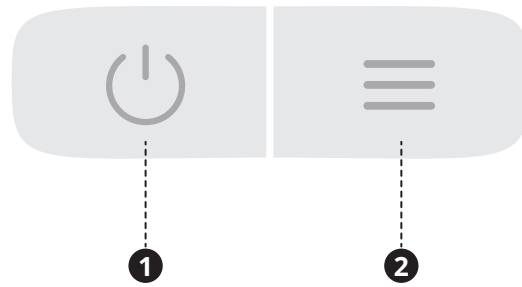
Hook











- | | | |
|------------------------|---------------------------------|----------------------------------|
| ① Button | ⑨ Side Wheel*4 | ⑯ Anti-stranding Bar*4 |
| ② Filter Basket Switch | ⑩ Overwater Ultrasonic Sensor*2 | ⑰ Underwater Ultrasonic Sensor |
| ③ Buckle | ⑪ Side Brush*2 | ⑱ Magnetic Wireless Charging Pad |
| ④ Roller Brush | ⑫ Front Wheel*2 | ⑲ Clarifying Agent Kit |
| ⑤ Hatch | ⑬ Status Indicator Light*2 | ⑳ Propeller*2 |
| ⑥ Filter Basket | ⑭ Handle | |
| ⑦ Solar Panel | ⑮ Bumper Strip*2 | |
| ⑧ Speaker | | |

* The diagram is for reference only. Please refer to the actual product for accuracy.



- **Power Button ①**
 Short Press: Press briefly to turn the robot on, start, or pause its operation.
 Long Press: Press and hold for 3 seconds to turn the robot off.
- **Action Button ②**
 Short Press: Press briefly to enable/disable the dispensing of clarifier.
 Long Press: Press and hold for 10 seconds to restore the factory setting.
- **Power + Action Button**
 Press and hold for 3 seconds to activate the device's hotspot.

Flashing green light		Working
Flashing blue light		Network configuring
Flashing red light		Robot malfunction
Flashing orange light		Low battery
Solid purple light		Clarifier dispensing
Breathing light		Charging

APP Download

You can either scan the QR code below or search for "Beatbot" in the App Store or Google Play to download the latest version of the APP.



Robot Connection

Please check the following items before connecting:

- Make sure the robot is turned on;
- Confirm that both your mobile phone and the robot are within the same Wi-Fi coverage range with a strong signal;
- Ensure your phone is connected to Wi-Fi, supporting only the 2.4GHz network;
- Bring the phone close to the robot (the distance between your phone and the robot should be within 1m).

Activate Device's Hotspot:

Press and hold both the "Power" and "Action" buttons simultaneously for about 3s, and when you see the indicator flashing blue, the robot is ready for network setup.

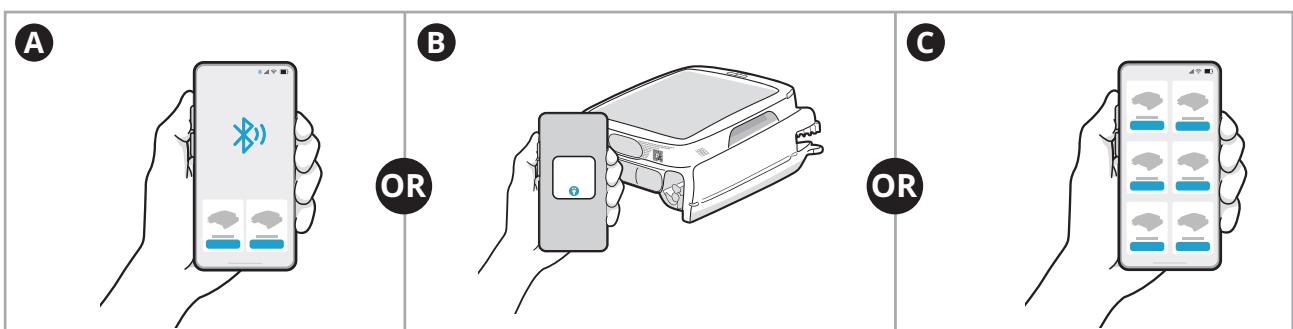
Connect the Robot:

You can choose either of the following methods to complete the connection.

A. Add via Bluetooth: Make sure that the bluetooth of your mobile phone is turned on before connection. Tap the "Add Device" on the home page of the APP, it will automatically search for your robot model and follow the APP instructions to complete the connection.

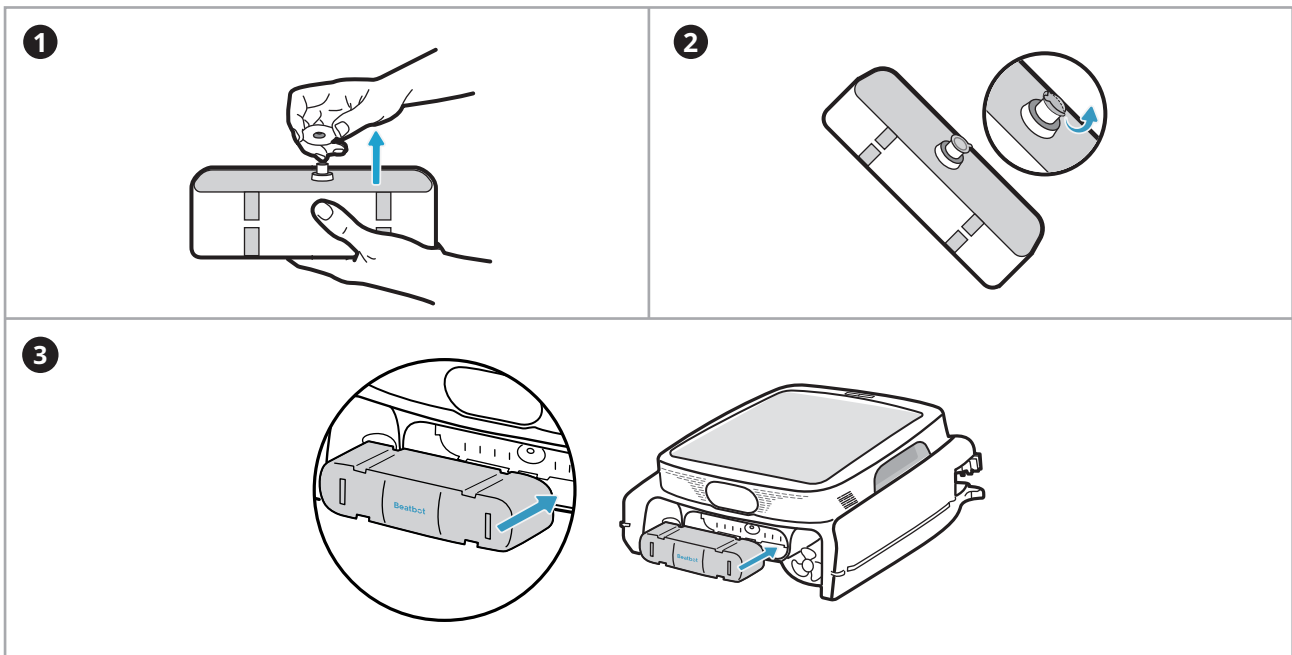
B. Scan to Add: Tap the "Scan to Add" on the home page of the APP, aim the camera at the QR code on the robot, and follow the APP instructions to complete the connection.

C. Add Manually: Tap the "Add Device" on the home page of the APP, choose your robot model, and follow the APP instructions to complete the connection.



8.1 Installation of Clarifying Agent Kit

- Remove the cap of clarifying agent kit.
- Tear off the aluminum film on the interface of the kit.
- Install the kit onto the robot with the interface facing downwards and press it until you hear a "click".

**Tip**

You can check out the APP for more instructions on how to use the clarifying agent kit.

8.2 Precautions Before Use

- Before use, please make sure the battery is sufficient.
- Place the robot on a level surface before powering on.
- Before cleaning, please make sure there are no foreign objects such as towels, toys or strings in the pool.
- Please turn off the pool circulation system before cleaning.
- Avoid animals and people from entering the pool during cleaning.

8.3 Start

- Make sure the robot is turned on before use.
- Gently place the robot into the pool with both hands. Then, the robot will start cleaning.

8.4 Remote Mode via APP

Utilize the Remote Mode feature on the App to navigate your robot along its cleaning path. With this mode enabled, you have the flexibility to move the robot forward, backward, left, and right according to your preferences.

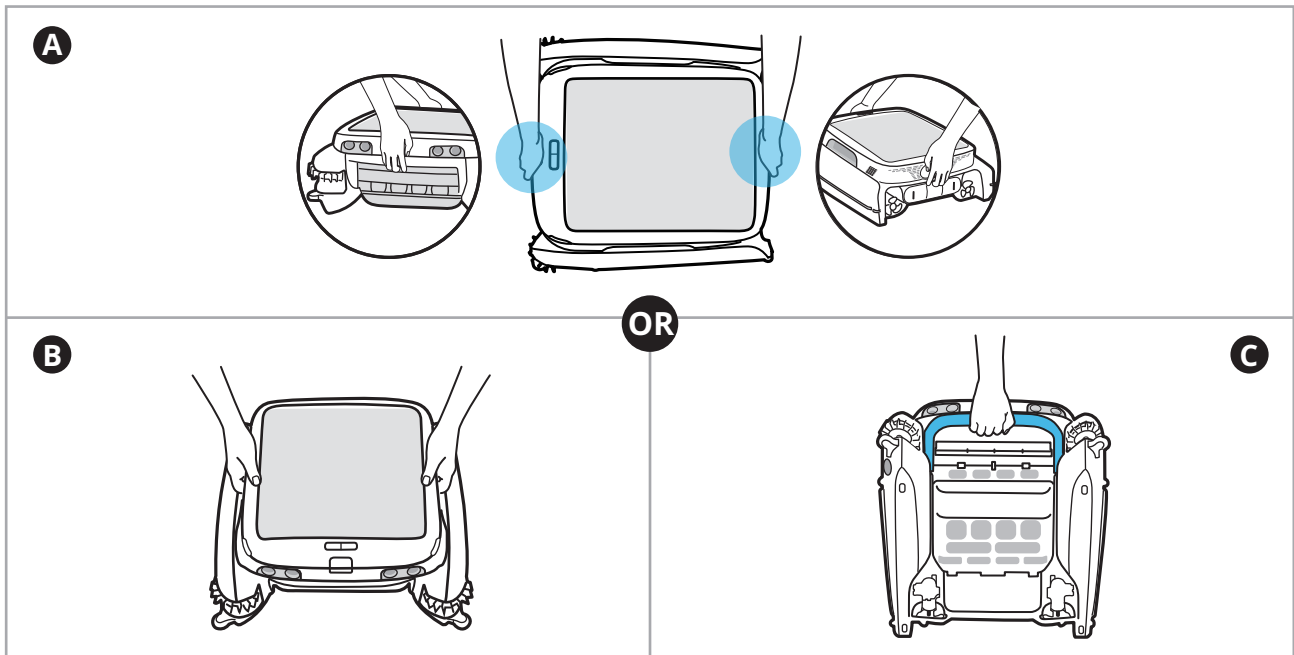
💡 Tips

1. When using the remote control, it's recommended to stay within 15m of the robot for an optimal experience.
2. When removing the robot from the water, you can use this mode to manually guide it to the edge of your pool for retrieval. Alternatively, you can wait until the robot naturally reaches the edge of the pool and then lift it out.

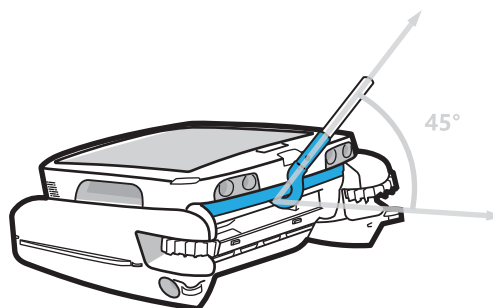
8.5 Robot Handling Tips

How to Pick Up the Robot

There are three methods of picking up the robot as shown below:



How to Use the Hook



💡 Tip

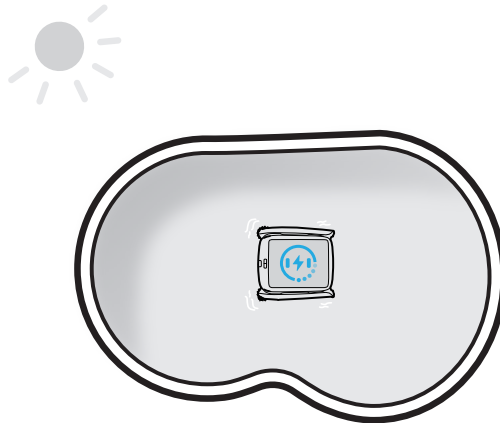
When the water level is too low to retrieve the robot from the pool with both hands, you can use the included hook to hook onto the front handle of the filter basket and lift it out of the water.

8.6 Charging

There are two charging methods available. Please note that magnetic wireless charging and solar charging cannot be used concurrently.

1. Solar Charging

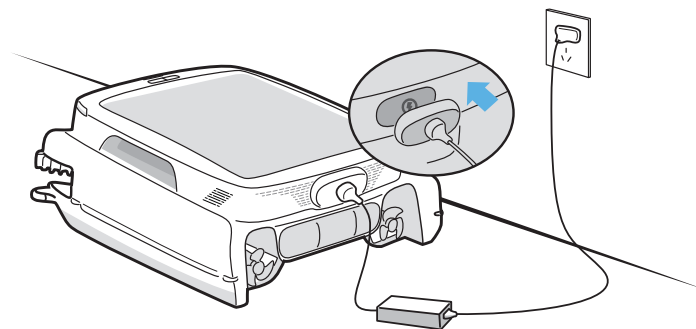
- ⚠ When the robot is in the pool, please ensure that there are no shadows from trees or buildings obstructing the solar panel to avoid affecting robot's charging efficiency.



Tip

For optimal charging efficiency, ensure there are no obstacles covering the solar panel. During winter, when sunlight is weaker, the robot requires more charging time, and the battery may not reach full capacity. Please ensure the battery is sufficiently charged before initiating cleaning operations.

2. Magnetic Wireless Charging



Tips

1. After charging is complete, the charger may be hot. Please avoid touching the contact surface.
2. The charging temperature is 0 ~ 40°C /32~104°F. Put the charger away from direct sunlight. If the temperature becomes too high, may result in lower charging efficiency.
3. Make sure the charger is in a safe spot, away from electricity and wet areas, to avoid shocks and accidents.

8.7 Important Information on Runtime and Charging During Autumn and Winter

During autumn and winter, the angle of direct sunlight is shallow, and the daylight hours are shorter, leading to lower solar charging efficiency. Consequently, the battery may not reach full charge even on sunny days. Please be aware that the operating time of the robot will be shorter compared to that in the summer.

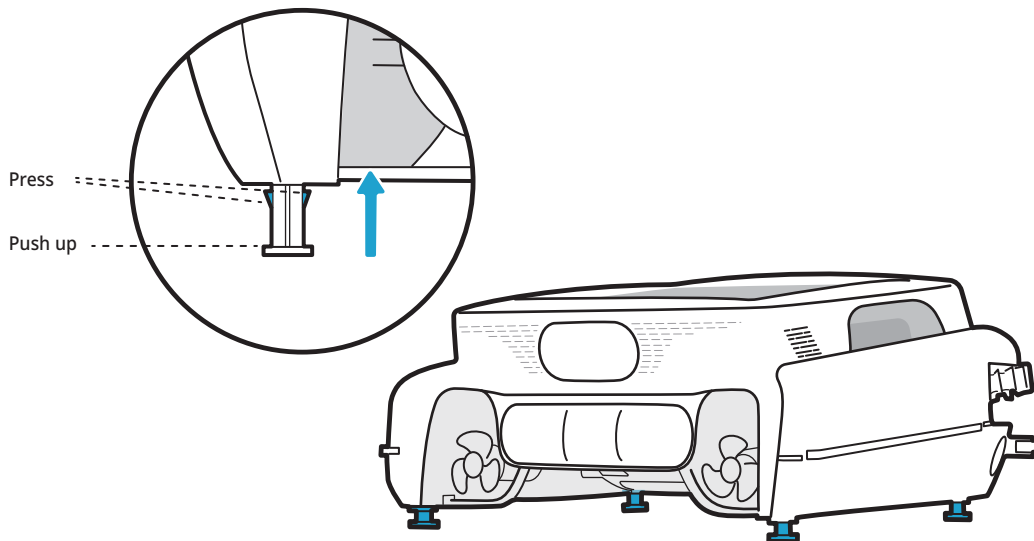
Solution:

1. Use the magnetic wireless charger to charge the robot.
2. When the temperature is below 68 °F (20 °C), please remove the robot from the pool. Place the robot in the direct sunlight. It's recommended to adjust the robot's position according to the movement of the sun to ensure it receives direct sunlight.

8.8 Use of Anti-stranding Bars

To prevent the robot from getting stuck on shallow stairs or other structures in your pool, you can adjust the built-in anti-stranding bars using the following steps:

- Pull down the anti-stranding bars. There are 4 bars in total. Please adjust them simultaneously to keep the robot balanced.
- To return the bars to their housing, push up on the bars until they securely lock into place.



💡 Tips

1. When there is a rope floating in the pool, please do not use anti-stranding bars to prevent the robot from being entangled in it and unable to get out.
2. When moving the robot, remember to retract the anti-stranding bars.

Ensure that the robot is disconnected from the power before performing maintenance.

Filter Basket

Clean the basket every 2-3 days or as needed based on its dirtiness of it to maintain optimal working efficiency.

- Press the filter basket switch to remove the basket.
- Open the buckle and empty the debris.
- Rinse the basket thoroughly. Then, close the buckle and reinsert it into the robot. Ensure proper installation by listening for a "click".

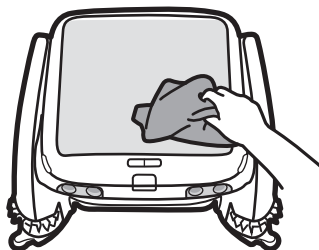


💡 Tips

1. When retrieving the robot from the water, you can either use the remote control to guide it manually or wait until it reaches the pool's edge. Ensure you can safely approach the robot, then gently lift it out of the water surface with both hands, and proceed to remove the filter basket.
2. For persistent algae, use a brush for cleaning.
3. When lifting the robot with one hand on the front handle, avoid touching the switch accidentally.

Solar Panel

Clean the solar panel by using a hose or a soft, dry cloth to remove any residue.

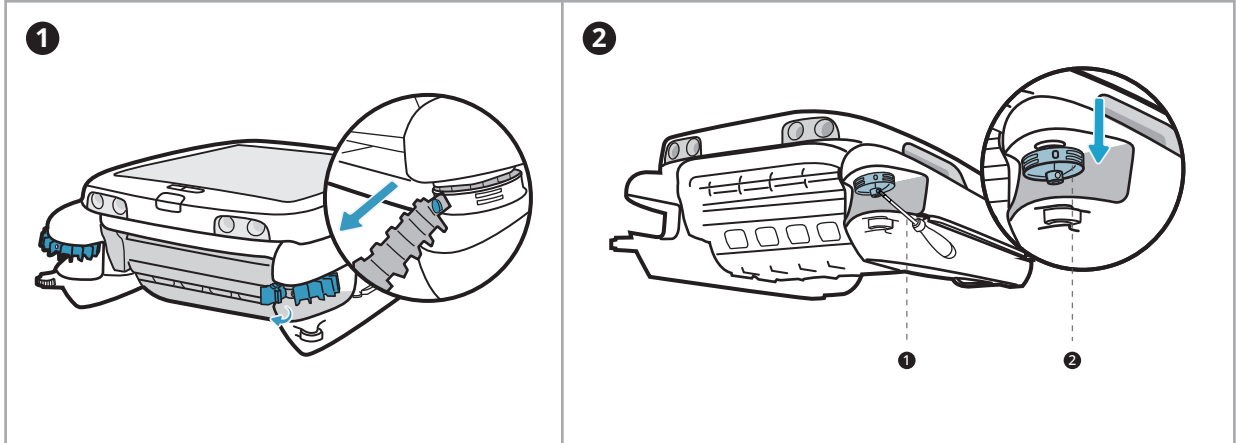


💡 Tips

1. Avoid using high-pressure washers or any tools that may scratch the panel surface while cleaning the robot.
2. Be careful not to bump or scratch the solar panel while moving.
3. When solar panel is exposed to prolonged intense sunlight, the surface temperature increases. Do not touch directly.

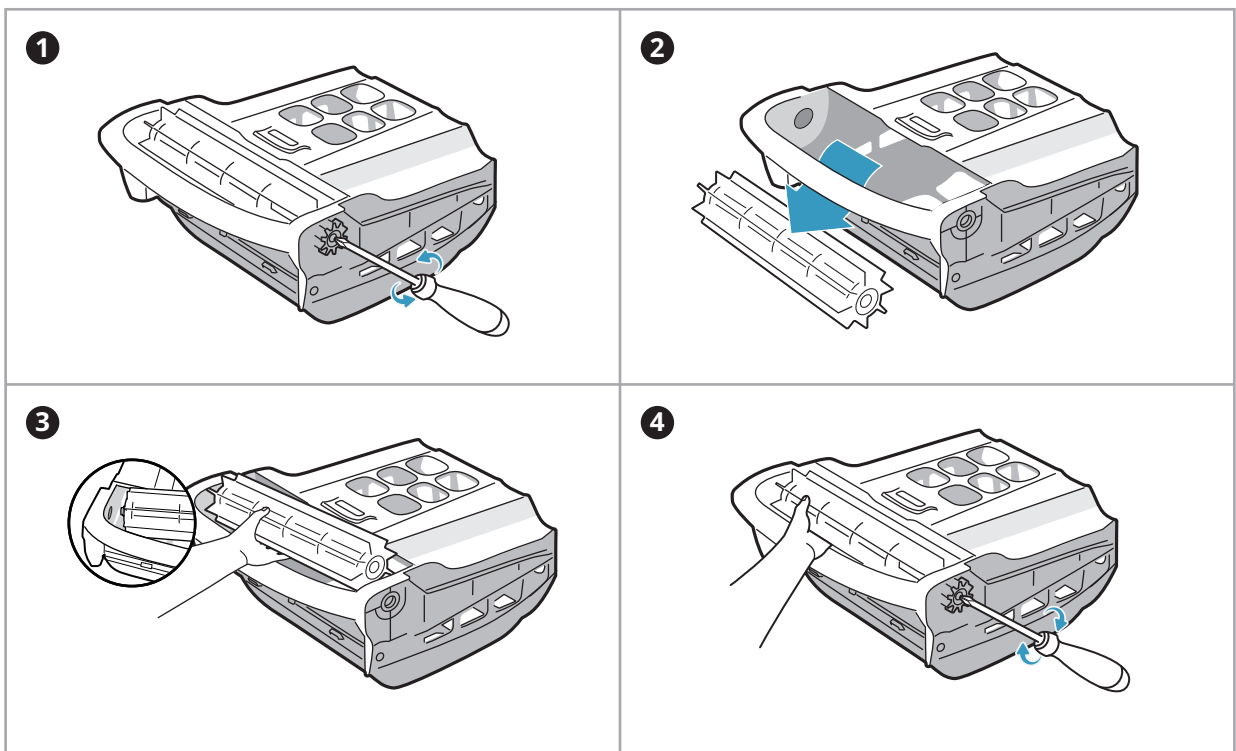
Side Brush

- Unclip and remove the side brush.
- Use the supplied screwdriver to unscrew the bottom screw, then pull out the hub. Clean any entanglements from it before reinstalling.



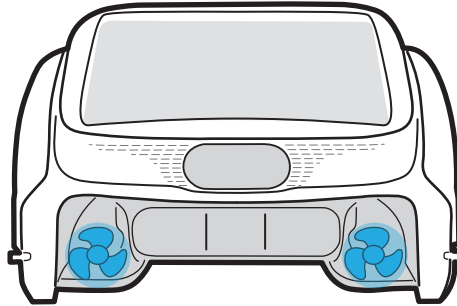
Roller Brush

- Remove the filter basket. Use the supplied screwdriver to disassemble the nut.
- Remove the roller brush. And clean any debris wrapped around the brush.
- Reinstall the roller brush onto the filter basket.
- Screw the nut clockwise to assemble it.



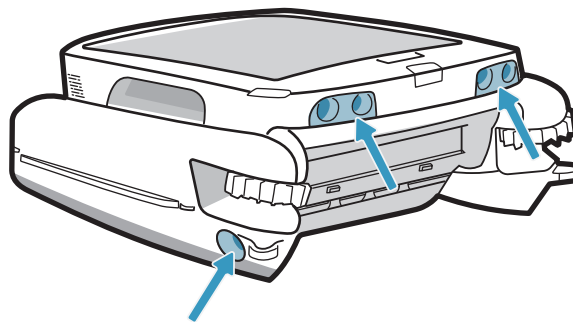
Propeller

Ensure there are no obstructions wrapped around the propellers to avoid affecting the robot's operation.



Ultrasonic Smart Sensor

Wipe the sensors with a soft dry cloth to keep them clean.



EN

10 Storage

If you close the pool during winter, remove the robot and store it according to the instructions. Rinse the robot and let it dry completely. Store it indoors in a dry location, away from high temperatures. Before using it for the first time in the next season, check the condition of the robot to ensure it is ready for use.

If you encounter any issues during usage, please visit the official website/APP to check the FAQ or contact our customer service for help.

Warranty Policy	2-year warranty
After-sales Email	service@beatbot.com
Official Website	www.beatbot.com
North America Toll Free	(833) 702-4399 Mon-Sun 9:00 am-6:00 pm (CST)

Our robot is designed for use in freshwater or in saltwater with a salinity not exceeding 5000 PPM. Use in a saltwater pool exceeding 5000 PPM will void the warranty.

WEEE Information

All products bearing this symbol are waste electrical and electronic equipment (WEEE as in directive 2012/19/EU) which should not be mixed with unsorted household waste. Instead, you should protect human health and the environment by handing over your waste equipment to a designated collection point appointed by the government or local authorities for recycling waste electrical and electronic equipment. Correct disposal and recycling will help prevent potential negative consequences to the environment and human health. Please contact the installer or local authorities for more information about the location as well as the terms and conditions of such collection points.

⚠ INSTRUCTIONS IMPORTANTES EN MATIÈRE DE SÉCURITÉ

LISEZ TOUTES LES INSTRUCTIONS AVANT L'ÉPLOI

Lors de l'installation et de l'utilisation de cet appareil électrique, il convient de toujours respecter les mesures de sécurité de base, notamment les suivantes :

AVERTISSEMENT : Lisez tous les avertissements et toutes les instructions de sécurité.

Le non-respect des avertissements et des instructions peut entraîner un choc électrique, un incendie et/ou des blessures graves.

1.1 Avertissements et précautions

- Ne nagez pas lorsque le robot fonctionne dans la piscine. Sortez le robot de la piscine lorsqu'il n'est pas utilisé et placez-le dans un endroit ensoleillé pour le recharger.
- Les enfants ne doivent pas jouer avec cet appareil. Ce n'est pas un jouet. Veillez à ce que les enfants et les animaux domestiques soient maintenus à une distance suffisante du robot lorsqu'il fonctionne.
- Ne l'utilisez pas lorsqu'il y a d'autres appareils de nettoyage dans la piscine.
- Pour le remisage, placez le robot dans un endroit frais et sec, et évitez la lumière directe du soleil. Ne laissez pas le robot sans surveillance dans les zones chaudes à l'extérieur de la piscine afin d'éviter de graves dommages.
- Ne lavez pas le robot à l'aide d'un nettoyeur haute pression, car cela pourrait endommager l'équipement.
- Évitez d'utiliser le robot en cas de vent fort, de forte pluie ou d'orage, car ces conditions météorologiques risquent d'affecter ses performances ou de l'endommager.

- Une composition chimique déséquilibrée de la piscine peut corroder ou dégrader les composants du robot. N'utilisez pas le robot lorsque la piscine subit une chloration choc. outre, évitez d'utiliser des nettoyants chimiques puissants qui pourraient endommager sa couche externe lorsque vous nettoyez le robot.
- Les pièces s'usent naturellement au fil du temps en cas d'utilisation régulière. Des composants tels que les brosses latérales et les filtres peuvent devoir être remplacés périodiquement. Suivez les instructions pour un nettoyage et un entretien réguliers afin de prolonger la durée de vie du robot. Utilisez les pièces et les remplacements recommandés pour garantir des performances optimales.
- Tenez-le à l'écart des objets pointus susceptibles d'endommager la surface du robot. Veuillez noter que vous devez déplacer et utiliser le robot avec précaution afin d'éviter tout dommage dû à des chutes ou à des chocs lors de la manipulation ou de l'utilisation du robot.
- Cet appareil peut être utilisé par des enfants âgés de 8 ans et plus et par

des personnes souffrant de déficiences physiques, sensorielles ou intellectuelles, ou ayant une expérience ou des connaissances limitées, sous la surveillance d'un parent ou d'un tuteur afin de garantir un fonctionnement sûr et d'éviter tout risque. Le nettoyage et l'entretien ne doivent pas être effectués par des enfants sans surveillance.

- Cet appareil contient des batteries qui ne peuvent être remplacées que par des techniciens qualifiés. Ne modifiez pas et n'essayez pas de réparer le robot ou la batterie, sauf si cela est indiqué dans les instructions d'utilisation et d'entretien. Confiez l'entretien à un réparateur qualifié qui utilisera uniquement des pièces de rechange identiques.
- Dans des conditions abusives, le liquide de la batterie peut être expulsé. Évitez tout contact. En cas de contact, rincez à l'eau. En cas de contact du liquide avec les yeux, consultez un médecin. Le liquide de la batterie peut provoquer des irritations ou des brûlures.
- N'utilisez pas une batterie ou un appareil endommagé ou modifié. Les batteries endommagées ou modifiées peuvent avoir un comportement imprévisible et provoquer un incendie, une explosion ou un risque de blessure.
- N'utilisez pas de batterie ou de chargeur tiers. Ne l'utilisez qu'avec l'unité d'alimentation RMCF01 spécifiée par le fabricant. Si le cordon

d'alimentation est endommagé, il doit être remplacé par le fabricant, son service après-vente ou des personnes de qualification similaire afin d'éviter tout danger.

- Assurez-vous que le robot est éteint et que le chargeur est débranché avant de procéder au nettoyage ou à l'entretien.
- N'exposez pas une batterie ou un appareil au feu ou à une température excessive. L'exposition au feu ou à une température supérieure à 130°C (265°F) peut provoquer une explosion.
- Dans des conditions normales d'utilisation, cet équipement doit être maintenu à une distance d'au moins 20 cm entre l'antenne et le corps de l'utilisateur.
- Éteignez le robot avant d'effectuer des opérations d'entretien telles que le nettoyage du filtre.
- Débranchez toujours l'appareil avant de le monter, de le démonter ou de le nettoyer.
- Le robot n'est pas protégé contre le gel et ne doit pas rester à l'extérieur par temps de gel.

1.2 Mode CEC

Appuyez simultanément sur les boutons « Power » et « Action » et maintenez-les enfoncés pour passer en mode CEC. Et appuyez sur n'importe quel bouton pour le désactiver.

1.3 Déclaration FCC/IC

Tout changement ou modification non expressément approuvé par la partie responsable de la conformité peut annuler le droit de l'utilisateur à faire fonctionner l'équipement. Cet équipement a été testé et déclaré conforme aux limites imposées aux appareils numériques de classe B, conformément à la partie 15 des règles de la FCC. Ces limites sont conçues pour fournir une protection raisonnable contre les interférences nuisibles dans une installation résidentielle. Cet équipement génère, utilise et peut émettre de l'énergie de fréquence radio et, s'il n'est pas installé et utilisé conformément aux instructions, il peut causer des interférences nuisibles aux communications radio. Cependant, il n'y a aucune garantie que des interférences ne se produiront pas dans une installation particulière. Si cet équipement provoque des interférences nuisibles à la réception radio ou télévision, ce qui peut être déterminé en allumant et en éteignant l'équipement, l'utilisateur est encouragé à essayer de corriger les interférences en prenant une ou plusieurs des mesures suivantes :

- Réorientez ou déplacez l'antenne de réception.
- Augmentez la distance entre l'équipement et le récepteur.
- Branchez l'équipement sur une prise de courant située sur un circuit différent de celui sur lequel le récepteur est branché.
- Consultez le revendeur ou un technicien radio/TV expérimenté pour obtenir de l'aide.

1.4 Exigences PPE

Pour satisfaire aux exigences de la FCC / IC en matière d'exposition aux radiofréquences, une distance de séparation de 20 cm ou plus doit être maintenue entre l'antenne de cet appareil et les personnes pendant le fonctionnement de l'appareil. Pour garantir la conformité, il n'est pas recommandé d'opérer à une distance inférieure à celle-ci.

Dans des conditions normales d'utilisation, cet équipement doit être maintenu à une distance d'au moins 20 cm entre l'antenne et le corps de l'utilisateur.

1.5 État de l'eau pour l'utilisation du robot

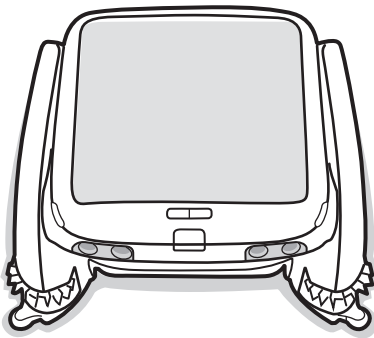

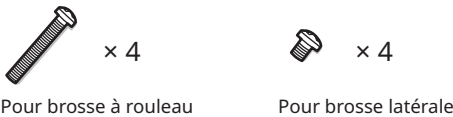
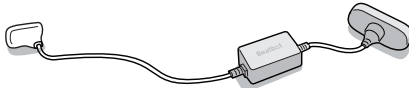
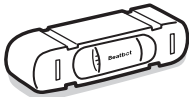

Profondeur de l'eau	≥0,15 m/5,9 pouces
pH	7,0-7,8
Chlore	Max 4 PPM
Sel	Max 5000 PPM

2 Spécifications des produits

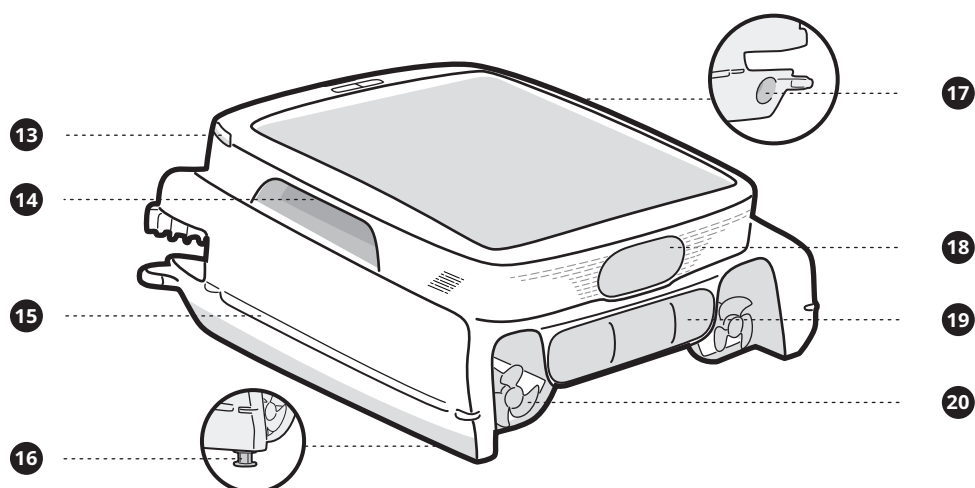
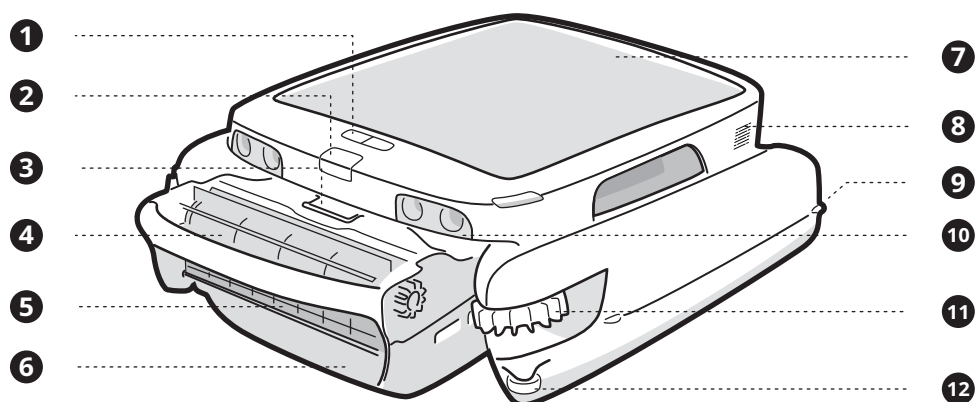
Modèle	iSkim Ultra
Électricité	7,2 V \equiv 10 W
Électricité de panneau solaire	24W
Entrée pour chargeur magnétique sans fil	AC 100-240 V 50-60 Hz
Sortie pour chargeur magnétique sans fil	12 V
Capacité nominale	10.000 mAh
Temps de charge (chargeur magnétique sans fil)	\geq 5 h
Température de fonctionnement	0-35 °C/32-95 °F
Température de recharge	0-40 °C/32-104 °F

FR

3 Accessoires de l'emballage

<p>Robot nettoyeur de piscine</p> 	<p>Tournevis</p> 
	<p>Vis</p>  <p>× 4 × 4</p> <p>Pour brosse à rouleau Pour brosse latérale</p>
	<p>Chargeur magnétique sans fil</p> 
<p>Kit de produit clarifiant</p> 	<p>Crochet</p> 

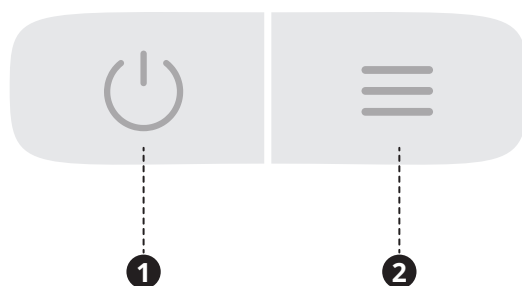
4 Schéma de la structure du produit



- | | | |
|--|--|--|
| ① Bouton | ⑧ Haut-parleur | ⑮ Bande pare-chocs*2 |
| ② Interrupteur du panier de filtration | ⑨ Roue latérale*4 | ⑯ Barre anti-étranglement*4 |
| ③ Boucle | ⑩ Capteur ultrasonique hors de l'eau*2 | ⑰ Capteur ultrasonique sous-marin |
| ④ Brosse à rouleau | ⑪ Brosse latérale*2 | ⑱ Bloc de recharge magnétique sans fil |
| ⑤ Trappe | ⑫ Roue avant*2 | ⑲ Kit de produit clarifiant |
| ⑥ Panier de filtration | ⑬ Voyant d'état*2 | ⑳ Propulseur*2 |
| ⑦ Panneau solaire | ⑭ Poignée | |

* Le schéma est fourni à titre de référence uniquement. Veuillez vous référer au produit réel pour plus de précision.

5 Fonctions des boutons



○ **Bouton d'alimentation ①**

Appui court : appuyez brièvement sur cette touche pour mettre le robot en marche, démarrer ou interrompre son fonctionnement.

Appui long : appuyez sur la touche et maintenez-la enfoncée pendant 3 secondes pour éteindre le robot.

○ **Bouton d'action ②**

Appui court : appuyez brièvement pour activer/désactiver la distribution du clarifiant.

Appui long : appuyez sur la touche et maintenez-la enfoncée pendant 10 secondes pour rétablir le réglage d'usine.

○ **Bouton d'alimentation et d'action**

Appuyez sur la touche et maintenez-la enfoncée pendant 3 secondes pour activer le point de connexion de l'appareil.

FR

6 Effets de lumière

Feu vert clignotant		Travail
Lumière bleue clignotante		Configuration réseau
Feu rouge clignotant		Dysfonctionnement du robot
Lumière orange clignotante		Batterie faible
Lumière violette pleine		Distribution de produit clarifiant
Clignotement		Recharge en cours

o Téléchargement de l'APPLI

Vous pouvez soit scanner le code QR ci-dessous, soit rechercher "Beatbot" dans l'App Store ou sur Google Play pour télécharger la dernière version de l'application.



o Connexion du robot

Veillez vérifier les éléments suivants avant de vous connecter :

- Assurez-vous que le robot est sous tension ;
- Vérifiez que votre téléphone portable et le robot se trouvent dans la même zone de couverture Wi-Fi et que le signal est puissant;
- Assurez-vous que votre téléphone est connecté au Wi-Fi et qu'il ne prend en charge que le réseau 2,4 GHz ;
- Approchez le téléphone du robot (la distance entre votre téléphone et le robot doit être inférieure à 1 m).

Activez le point d'accès de l'appareil :

Maintenez enfoncés les boutons « Power » et « Action » pendant environ 3 s et lorsque vous voyez clignoter le voyant en bleu, le robot est prêt pour la configuration réseau.

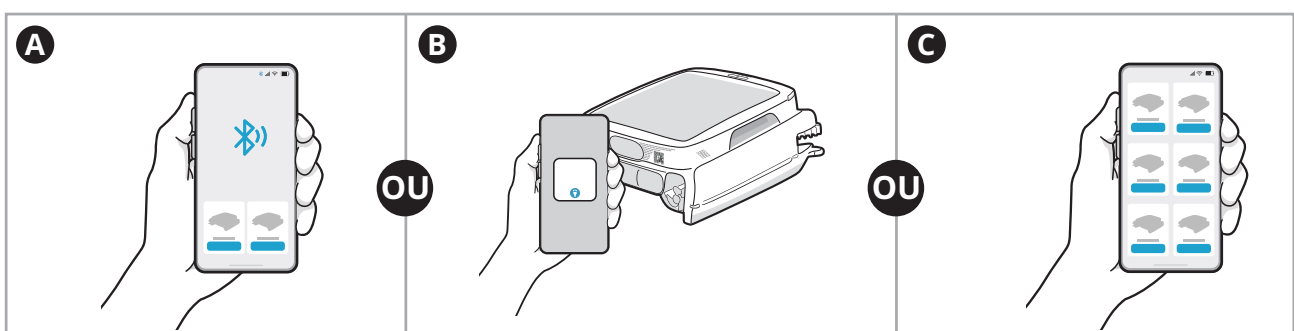
Connexion du robot :

Pour établir la connexion, vous pouvez choisir l'une des méthodes suivantes.

A. Ajouter via Bluetooth : Assurez-vous que la fonction Bluetooth de votre smartphone est activée avant de procéder à la connexion. Appuyez sur le bouton « Ajouter un appareil » sur la page d'accueil de l'APPLI pour chercher automatiquement votre modèle de robot et suivez les instructions de l'APPLI pour terminer la connexion.

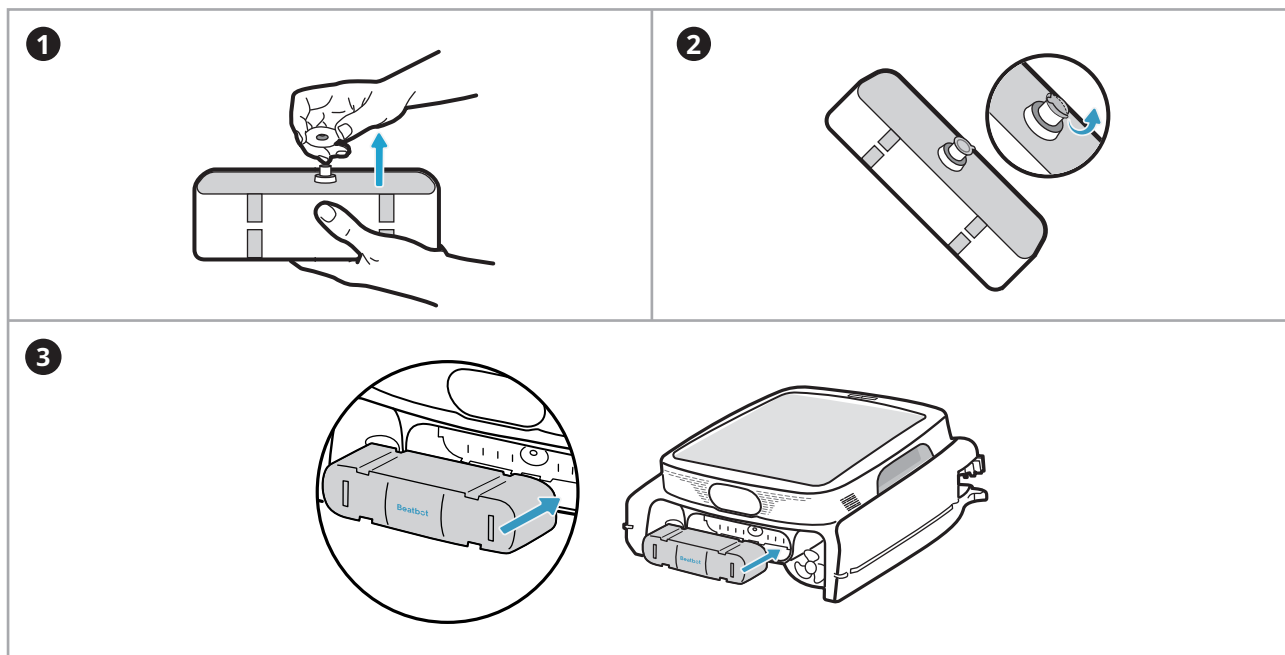
B. Scanner pour ajouter : Appuyez sur le bouton « Scanner pour ajouter » sur la page d'accueil de l'APPLI, dirigez la caméra vers le code QR sur le robot et suivez les instructions de l'APPLI pour terminer la connexion.

C. Ajout manuel : appuyez sur le bouton « Ajouter un appareil » sur la page d'accueil de l'APPLI, choisissez votre modèle de robot et suivez les instructions de l'APPLI pour terminer la connexion.



8.1 Installation du kit de produit clarifiant

- Retirez le bouchon du kit de produit clarifiant.
- Déchirez le film d'aluminium sur l'interface du kit.
- Installez le kit sur le robot en orientant l'interface vers le bas et appuyez dessus jusqu'à ce que vous entendiez un « clic ».



Conseil

Vous pouvez consulter l'APPLI pour plus d'instructions sur l'utilisation du kit de produit clarifiant.

8.2 Précautions à prendre avant l'utilisation

- Avant toute utilisation, assurez-vous que l'état de charge de la batterie est suffisant.
- Placez le robot sur une surface plane avant de le mettre en marche.
- Avant de procéder au nettoyage, assurez-vous qu'il n'y a pas de corps étrangers tels que des serviettes, des jouets ou des cordes dans la piscine.
- Veuillez éteindre le système de circulation de la piscine avant de nettoyer.
- Les animaux et les personnes ne doivent pas entrer dans la piscine pendant le nettoyage.

8.3 Démarrage

- Assurez-vous que le robot est sous tension avant son utilisation.
- Placez délicatement le robot dans la piscine avec les deux mains. Le robot commence alors à nettoyer.

8.4 Mode à distance via l'APPLI

Utilisez la fonction Mode à distance de l'appli pour guider votre robot le long de sa trajectoire de nettoyage. Lorsque ce mode est activé, vous pouvez déplacer le robot vers l'avant, l'arrière, la gauche et la droite selon vos préférences.

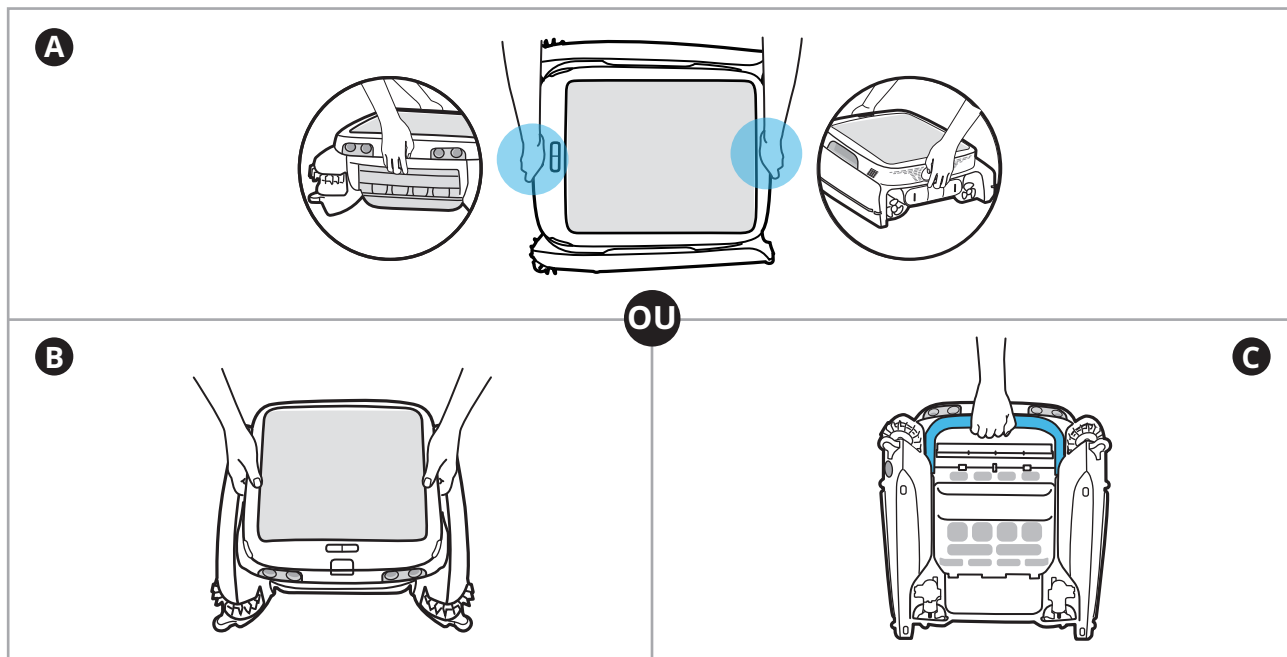
💡 Conseils

1. Lors de l'utilisation de la télécommande, il est recommandé de rester à moins de 15 m du robot pour une expérience optimale.
2. Lorsque vous sortez le robot de l'eau, vous pouvez utiliser ce mode pour le guider manuellement jusqu'au bord de votre piscine afin de le récupérer. Vous pouvez également attendre que le robot atteigne naturellement le bord de la piscine, puis le soulever.

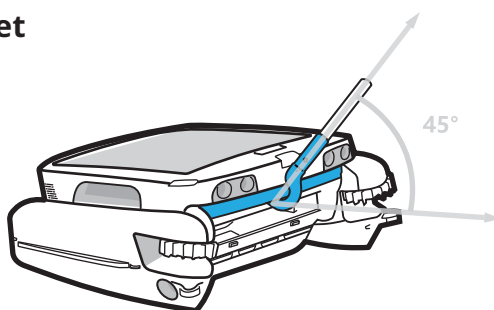
8.5 Conseils de manipulation du robot

Comment ramasser le robot

Il existe trois méthodes pour ramasser le robot, comme indiqué ci-dessous :



Comment utiliser le crochet



💡 Conseil

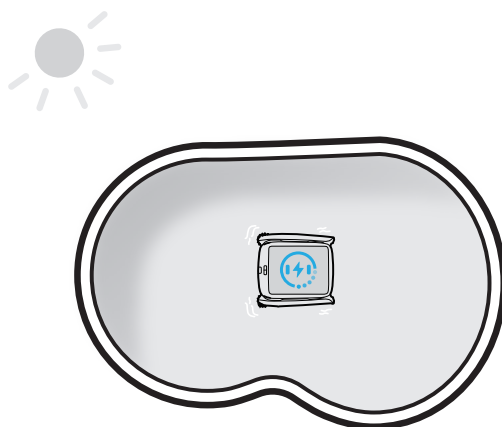
Lorsque le niveau de l'eau est trop bas pour sortir le robot de la piscine à deux mains, vous pouvez utiliser le crochet fourni pour l'accrocher à la poignée avant du panier de filtration et le soulever hors de l'eau.

8.6 Recharge

Deux méthodes de recharge sont disponibles. Veuillez noter que la recharge sans fil et la recharge solaire ne peuvent pas être utilisées simultanément.

1. Recharge solaire

- ⚠ Lorsque le robot est dans la piscine, veuillez vous assurer qu'aucune ombre d'arbres ou de bâtiments n'obstrue le panneau solaire afin de ne pas affecter l'efficacité de chargement du robot.

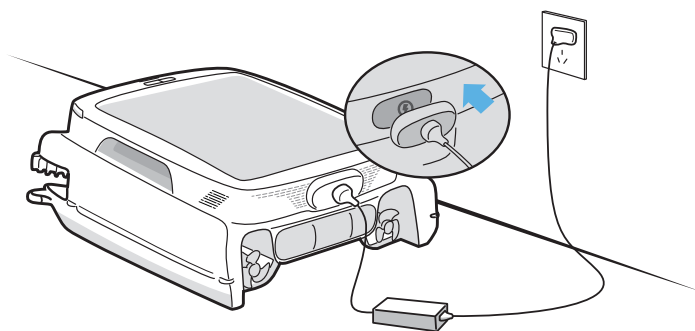


💡 Conseil

Pour une efficacité de charge optimale, assurez-vous qu'aucun obstacle ne recouvre le panneau solaire. En hiver, lorsque la lumière du soleil est plus faible, le robot nécessite plus de temps de charge et la batterie peut ne pas atteindre sa pleine capacité. Veuillez à ce que la batterie soit suffisamment chargée avant de commencer les opérations de nettoyage.

FR

2. Chargement sans fil magnétique



💡 Conseils

1. Une fois la charge terminée, le chargeur peut être chaud. Évitez de toucher la surface de contact.
2. La température de charge est de 0~40 °C/32~104 °F. Placez le chargeur à l'abri de la lumière directe du soleil. Une température trop élevée peut réduire l'efficacité de la charge.
3. Assurez-vous que le chargeur se trouve dans un endroit sûr, à l'abri de l'électricité et des zones humides, afin d'éviter les chocs et les accidents.

8.7 Informations importantes sur la durée d'utilisation et la recharge en automne et en hiver

En automne et en hiver, l'angle d'ensoleillement direct est faible et les heures de clarté sont plus courtes, ce qui réduit l'efficacité de la charge solaire. Par conséquent, la batterie peut ne pas atteindre sa pleine charge même par temps ensoleillé. Veuillez noter que le temps de fonctionnement du robot sera plus court qu'en été.

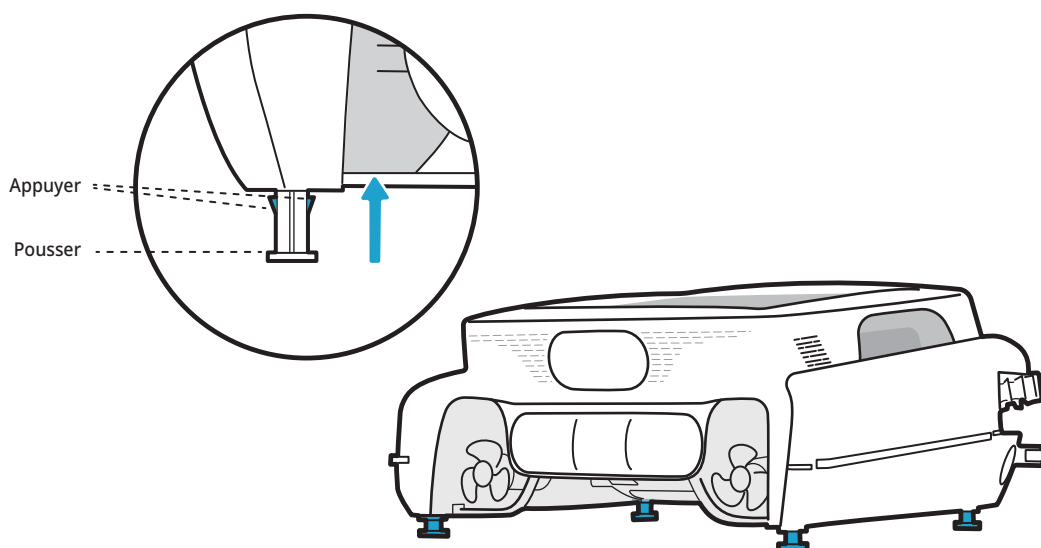
Solution :

1. Utilisez le chargeur magnétique sans fil fourni pour recharger le robot.
2. Lorsque la température est inférieure à 68°F (20°C), retirez le robot de la piscine. Placez le robot directement au soleil. Il est recommandé d'ajuster la position du robot en fonction du mouvement du soleil pour s'assurer qu'il reçoit la lumière directe du soleil.

8.8 Utilisation de barres anti-étranglement

Pour éviter que le robot ne se bloque sur des escaliers peu profonds ou d'autres structures de votre piscine, vous pouvez régler les barres anti-étranglement intégrées en suivant les étapes suivantes :

- Tirez vers le bas les barres anti-étranglement. Il y a 4 barres au total. Veuillez les ajuster simultanément afin de maintenir l'équilibre du robot.
- Pour remettre les barres dans leur logement, poussez-les vers le haut jusqu'à ce qu'elles s'enclenchent fermement.



💡 Conseils

1. Lorsqu'une corde flotte dans la piscine, n'utilisez pas de barres anti-étranglement pour éviter que le robot ne s'y emmêle et ne puisse en sortir.
2. Lors du déplacement du robot, n'oubliez pas de rétracter les barres anti-étranglement.

Assurez-vous que le robot est déconnecté de l'alimentation avant d'effectuer l'entretien.

Panier de filtration

Nettoyez le panier tous les 2 ou 3 jours ou selon son degré de saleté afin de maintenir une efficacité optimale.

- Appuyez sur l'interrupteur du panier de filtration pour retirer le panier.
- Ouvrez la boucle et videz les débris.
- Rincez soigneusement le panier. Ensuite, refermez la boucle et réinsérez-la dans le robot. Assurez-vous que l'installation est correcte en écoutant pour entendre un « clic ».



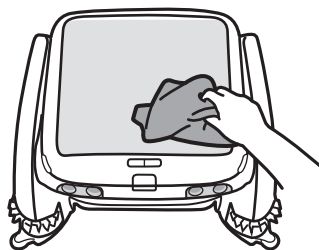
Conseils

1. Lorsque vous sortez le robot de l'eau, vous pouvez soit utiliser la télécommande pour le guider manuellement, soit attendre qu'il atteigne le bord de la piscine. Assurez-vous de pouvoir approcher le robot en toute sécurité, puis soulevez-le délicatement de la surface de l'eau avec les deux mains, et procédez à l'enlèvement du panier de filtration.
2. En cas d'algues persistantes, utilisez une brosse pour le nettoyage.
3. Lorsque vous manipulez le robot par la poignée du panier de filtration, évitez d'appuyer sur l'interrupteur du panier de filtration.

FR

Panneau solaire

Nettoyez le panneau solaire à l'aide d'un tuyau d'arrosage ou d'un chiffon doux et sec pour enlever tout résidu.

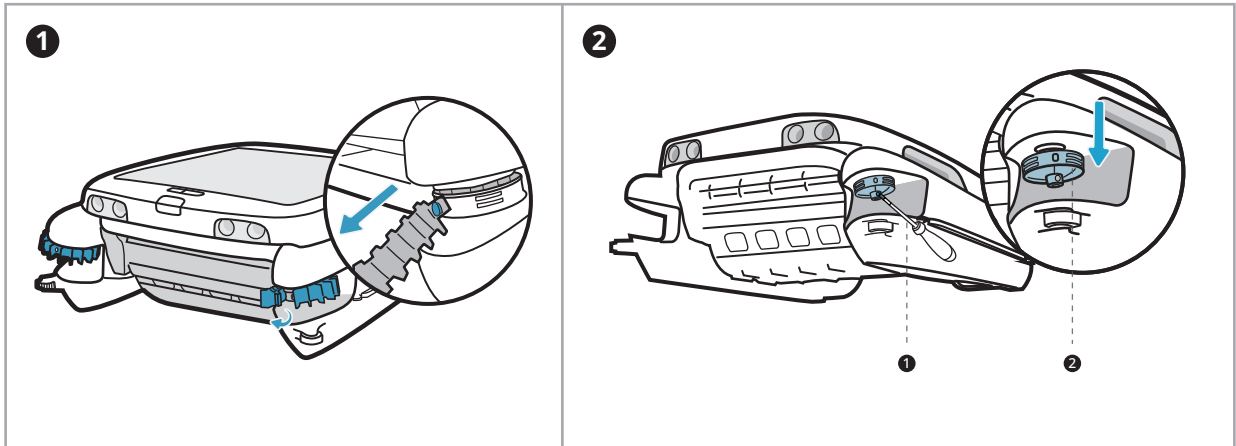


Conseils

1. Évitez d'utiliser des nettoyeurs à haute pression ou tout autre outil susceptible de rayer la surface du panneau pendant le nettoyage du robot.
2. Veillez à ne pas heurter ou rayer le panneau solaire lorsque vous le déplacez.
3. Lorsque le panneau solaire est exposé à une lumière solaire intense et prolongée, la température de surface augmente. Ne pas toucher directement.

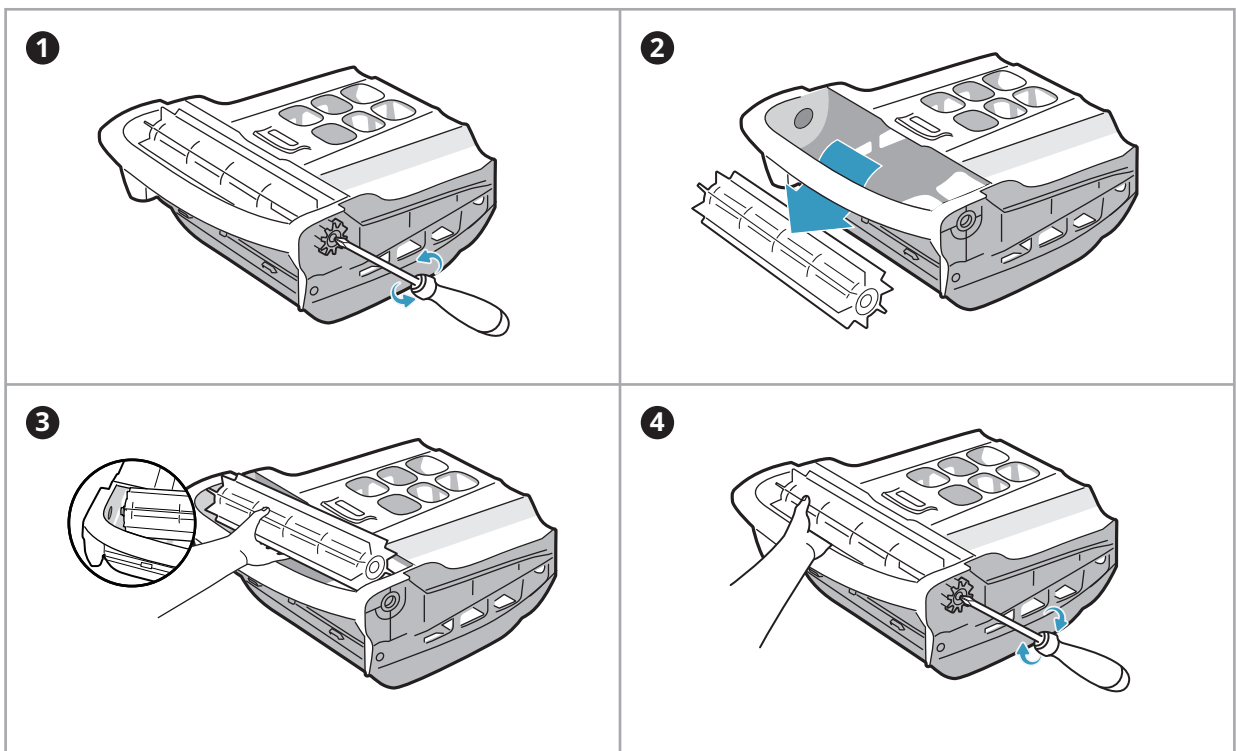
Brosse latérale

- Déclipsez et retirez la brosse latérale.
- Utilisez le tournevis fourni pour dévisser la vis inférieure, puis retirez le moyeu. Éliminez tout enchevêtrement avant la réinstallation.



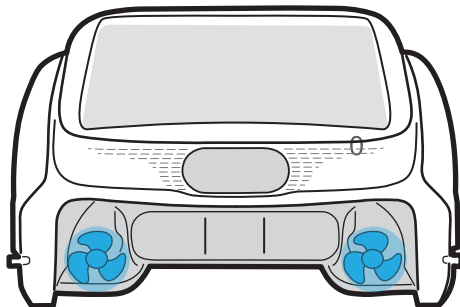
Brosse à rouleau

- Retirez le panier de filtration. Utilisez le tournevis fourni pour démonter l'écrou.
- Retirez la brosse à rouleau. Nettoyez également les débris qui s'enroulent autour de la brosse.
- Réinstallez la brosse à rouleau sur le panier de filtration.
- Vissez l'écrou dans le sens des aiguilles d'une montre pour l'assembler.



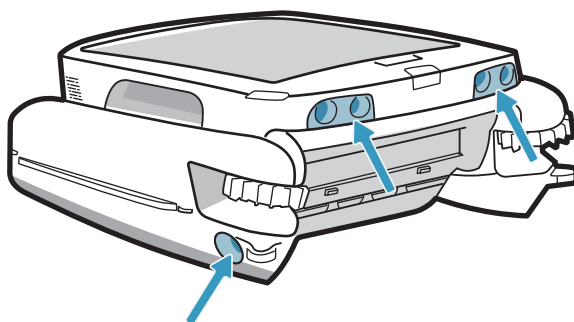
Hélice

Veillez à ce qu'aucun obstacle ne s'enroule autour des hélices afin d'éviter d'affecter le fonctionnement du robot.



Capteur intelligent à ultrasons

Essuyez les capteurs avec un chiffon doux et sec pour les garder propres.



FR

10 Rangement

Si vous fermez la piscine pendant l'hiver, retirez le robot et rangez-le selon les instructions. Rincez le robot et laissez-le sécher complètement. Entrez-le à l'intérieur, dans un endroit sec, à l'abri des températures élevées. Avant de l'utiliser pour la première fois au cours de la saison suivante, vérifiez l'état du robot pour vous assurer qu'il est prêt à l'emploi.

Si vous rencontrez des problèmes lors de l'utilisation, veuillez visiter le site officiel/l'application pour consulter la FAQ ou contacter notre service client pour obtenir de l'aide.

Politique de garantie	Garantie de 2 ans
Courriel après-vente	service@beatbot.com
Site web officiel	www.beatbot.com
Amérique du Nord Numéro vert	(833) 702-4399 Lun-dim de 9h00-18h00 (CST)

Notre robot est conçu pour une utilisation en eau douce ou en eau salée avec une salinité ne dépassant pas 5000 PPM. Une utilisation dans une piscine d'eau salée dépassant 5000 PPM annulera la garantie.

Informations DEEE

Tous les produits portant ce symbole sont des déchets d'équipements électriques et électroniques (DEEE au sens de la directive 2012/19/UE) qui ne doivent pas être mélangés avec les déchets ménagers non triés. Vous devez plutôt protéger la santé humaine et l'environnement en remettant vos déchets d'équipements à un point de collecte désigné par le gouvernement ou les autorités locales pour le recyclage des déchets d'équipements électriques et électroniques. Une élimination et un recyclage corrects contribueront à prévenir les conséquences négatives potentielles pour l'environnement et la santé humaine. Veuillez contacter l'installateur ou les autorités locales pour plus d'informations sur l'emplacement et les conditions de ces points de collecte.

⚠ INSTRUCCIONES DE SEGURIDAD IMPORTANTES

LEA TODAS LAS INSTRUCCIONES ANTES DE USAR EL ROBOT

Al instalar y utilizar este equipo eléctrico, deben seguirse siempre las precauciones de seguridad básicas, incluida la siguiente:

ADVERTENCIA: Lea todas las advertencias de seguridad e instrucciones. El incumplimiento de las advertencias e instrucciones puede ocasionar descargas eléctricas, incendios o lesiones graves.

1.1 Advertencias y precauciones

- No nade cuando el robot esté trabajando en la piscina. Saque el robot de la piscina cuando no lo utilice y póngalo en una zona soleada para cargarlo.
- Los niños no deben utilizar este producto para jugar. No es un juguete. Asegúrese de que los niños y los animales domésticos se encuentren a una distancia segura del robot cuando está en funcionamiento.
- No utilizar cuando haya otros dispositivos de limpieza en la piscina.
- Para guardarlo, coloque el robot en un lugar fresco y seco, y evite la luz solar directa. No deje el robot desatendido en zonas calientes fuera de la piscina para evitar daños graves.
- No lave el robot con un limpiador a presión, ya que podría dañar el equipo.
- Evite utilizar el robot con vientos fuertes, lluvias torrenciales o tormentas eléctricas, ya que estas condiciones meteorológicas pueden afectar a su rendimiento o causar daños.
- Una composición química desequilibrada de la piscina puede corroer o degradar los componentes del robot. No utilice el robot cuando la piscina esté sometida a una cloración de choque. Además, evite utilizar limpiadores químicos fuertes que puedan dañar la capa exterior cuando el robot esté limpiando.
- Las piezas se desgastan naturalmente con el tiempo y el uso regular. Puede ser necesario sustituir periódicamente componentes como los cepillos laterales y los filtros. Siga las instrucciones de limpieza y mantenimiento regulares para prolongar la vida útil del robot. Utilice las piezas y los recambios recomendados para garantizar un rendimiento óptimo.
- Manténgalo alejado de objetos punzantes que puedan dañar la superficie del robot. Tenga en cuenta que debe mover y manejar el robot con cuidado para evitar daños por caídas o impactos al manipularlo.
- Este dispositivo puede ser utilizado por niños mayores de 8 años y personas con deficiencias físicas, sen-

soriales, intelectuales, o experiencia o conocimiento limitado bajo la supervisión de un progenitor o tutor para garantizar el uso seguro y evitar riesgos. La limpieza y el mantenimiento no serán realizados por niños sin supervisión.

- Este dispositivo contiene baterías que solo pueden ser reemplazadas por técnicos especializados. No modifique ni intente reparar el robot o la batería excepto, tal y como se indica en las instrucciones de uso y cuidado. Para realizar tareas de servicio en el robot, acuda a un profesional de reparación cualificado que utilice únicamente piezas de recambio idénticas.
- En condiciones adversas, podría salir líquido de la batería. Evite el contacto. Si se produce contacto, aclare con agua. Si el líquido entra en contacto con los ojos, acuda al médico. El líquido de la batería puede causar irritación o quemaduras.
- No utilice una batería o un aparato que esté dañado o haya sido modificado. Las baterías dañadas o modificadas pueden mostrar un comportamiento impredecible ocasionando un incendio, una explosión o un riesgo de lesión.
- No utilice baterías ni cargadores de terceros. Utilice el dispositivo únicamente con la unidad de alimentación RMCF01 especificada por el fabricante. Si el cable de alimentación está dañado, debe ser reemplazado por el fabricante, su agente de

servicio o una persona con cualificación similar para prevenir riesgos.

- Antes de efectuar tareas de limpieza o mantenimiento, compruebe que el robot está apagado y el cargador está desenchufado.
- No exponga el paquete de batería ni el aparato al fuego ni temperaturas excesivas. La exposición al fuego o a temperaturas superiores a 130 °C puede causar una explosión.
- En condiciones de uso normal, este equipo debe mantenerse a una distancia de separación de al menos 20 cm entre la antena y el cuerpo del usuario.
- Apague el robot antes de realizar tareas de mantenimiento como la limpieza del filtro.
- Desconecte siempre el aparato de la red eléctrica antes de montarlo, desmontarlo o limpiarlo.
- El robot no está protegido contra la congelación y no debe dejarse al aire libre en condiciones de agua helada.

1.2 Modo CEC

Mantenga pulsados simultáneamente los botones "Encendido" y "Acción" para acceder al modo CEC. Y pulse cualquier botón para desactivarlo.

1.3 Declaración FCC/IC

Cualquier cambio o modificación que no haya sido expresamente aprobada por la parte responsable de conformidad podría invalidar la autoridad del usuario para utilizar el equipo. Este equipo se ha sometido a pruebas y se ha determinado que cumple los límites para un dispositivo digital de Clase B, conforme a la parte 15 de las normas FCC. Estos límites están diseñados para proporcionar una protección razonable contra interferencias perjudiciales en una instalación residencial. Este equipo genera, utiliza y puede radiar energía de radiofrecuencia y, si no se instala y utiliza de acuerdo con las instrucciones, puede causar interferencias perjudiciales para las comunicaciones de radio. No obstante, no hay garantía de que no se produzca alguna interferencia en una instalación particular. Si este equipo causa interferencias perjudiciales para la recepción de radio o televisión (lo que se puede determinar apagando y encendiendo el equipo), se recomienda al usuario intentar corregir las interferencias con una o más de las medidas siguientes:

- Cambie la orientación o la ubicación de la antena de recepción.
- Aumente la separación entre el equipo y el receptor.
- Conecte el equipo a una toma que se encuentre en un circuito diferente del que está conectado el receptor.
- Consulte al distribuidor o a un técnico de radio/TV profesional para obtener ayuda.

1.4 Requisitos de MPE

Para cumplir los requisitos de exposición a RF de FCC / IF, debe mantenerse una distancia de separación de 20 cm o más entre la antena de este dispositivo y las personas durante el funcionamiento del dispositivo. Para garantizar la conformidad, no se recomienda el uso a una distancia inferior a la mencionada.

En condiciones de uso normal, este equipo debe mantenerse a una distancia de separación de al menos 20 cm entre la antena y el cuerpo del usuario.

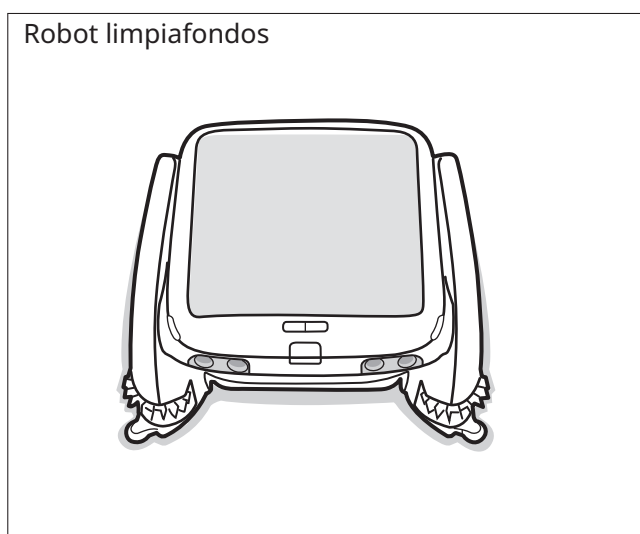
1.5 Condiciones del agua para el uso del robot

Profundidad del agua	≥0,15 m/5,9 pulgadas
PH	7,0-7,8
Cloro	Máx 4 PPM
Sal	Máx 5000 PPM

2 Especificaciones del producto

Modelo	iSkim Ultra
Electricidad	7,2 V \equiv 10 W
Energía de paneles solares	24 W
Entrada para cargador inalámbrico magnético	100-240 V CA 50-60 Hz
Salida para cargador inalámbrico magnético	12 V
Capacidad nominal	10 000 mAh
Tiempo de carga (cargador inalámbrico magnético)	\geq 5 h
Temperatura de funcionamiento	0-35 °C/32-95 °F
Temperatura de carga	0-40 °C/32-104 °F

3 Accesorios del embalaje



Destornillador



Tornillos



× 4

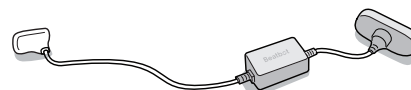
Para cepillo de rodillo



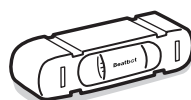
× 4

Para cepillo lateral

Cargador inalámbrico magnético



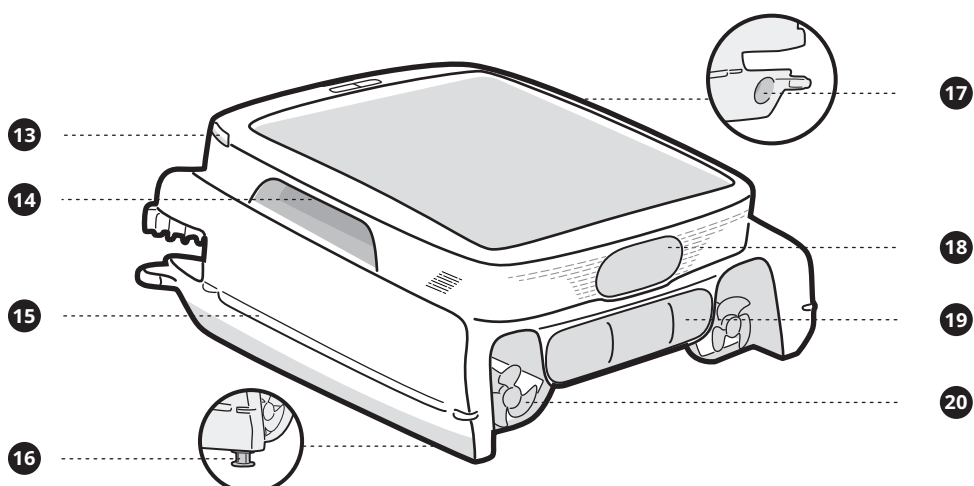
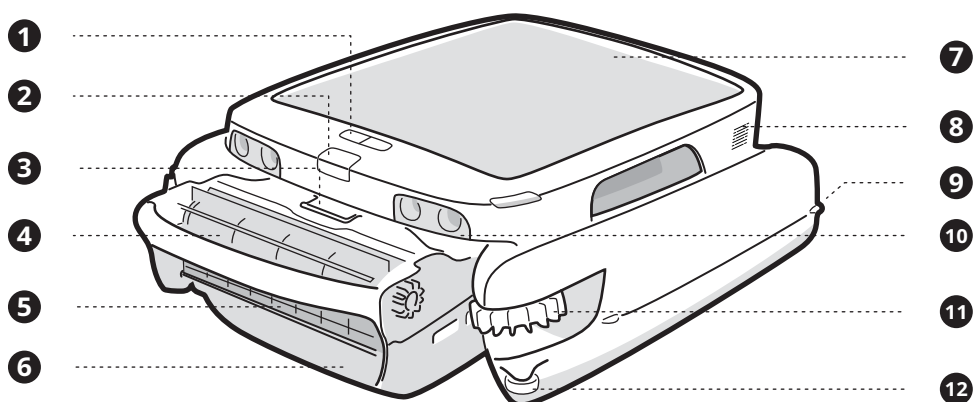
Kit de agente clarificante



Gancho



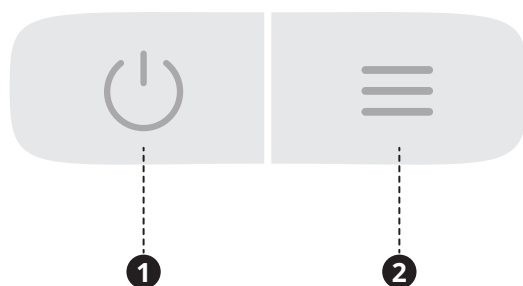
4 Diagrama de estructura del producto



- | | | |
|-----------------------------------|--|--|
| 1 Botón | 9 Rueda lateral*4 | 16 Barra antivuelco*4 |
| 2 Interruptor del cesto filtrante | 10 Sensor ultrasónico fuera del agua*2 | 17 Sensor ultrasónico submarino |
| 3 Hebilla | 11 Cepillo lateral*2 | 18 Base de carga inalámbrica magnética |
| 4 Cepillo de rodillo | 12 Rueda delantera*2 | 19 Kit de agente clarificante |
| 5 Trampilla | 13 Indicador luminoso de estado*2 | 20 Hélice*2 |
| 6 Cesto filtrante | 14 Asa | |
| 7 Panel solar | 15 Banda del parachoques*2 | |
| 8 Altavoz | | |

* El diagrama es solo de referencia. Para mayor precisión, consulte el producto real.

5 Funciones de los botones



- **Botón de encendido ①**
Pulsación corta: pulse brevemente para encender el robot, iniciarlo o ponerlo en pausa.
Pulsación larga: mantenga pulsado durante 3 segundos para apagar el robot.
- **Botón de acción ②**
Pulsación corta: pulse brevemente para activar/desactivar la dispensación de clarificante.
Pulsación larga: mantenga pulsado durante 10 segundos para restaurar el ajuste de fábrica.
- **Botón de encendido + acción**
Mantenga pulsado durante 3 segundos para activar la zona activa del dispositivo.

6 Indicadores luminosos

Luz verde intermitente		En funcionamiento
Luz azul intermitente		Configuración de red
Luz roja intermitente		Fallo del robot
Luz naranja intermitente		Batería baja
Luz púrpura fija		Dosificación de clarificante
Luz pulsante		Cargando

○ Descarga de la APP

Puede escanear el código QR a continuación o buscar "Beatbot" en la App Store o en Google Play para descargar la última versión de la aplicación.



○ Conexión del robot

Antes de efectuar la conexión, compruebe los siguientes puntos:

- Asegúrese de que el robot está encendido.
- Confirme que tanto el teléfono móvil como el robot se encuentran dentro del mismo alcance de cobertura Wi-Fi con una señal intensa;
- Compruebe que su teléfono está conectado a la Wi-Fi, compatible solo con la red de 2,4 GHz.
- Aproxime el teléfono al robot (la distancia entre el teléfono y el robot debe ser de 1 m como máximo).

Activación del punto de acceso del dispositivo:

Mantenga pulsados simultáneamente los botones "Encendido" y "Acción" durante unos 3 s. Cuando vea que el indicador parpadea en azul, el robot estará listo para la configuración de red.

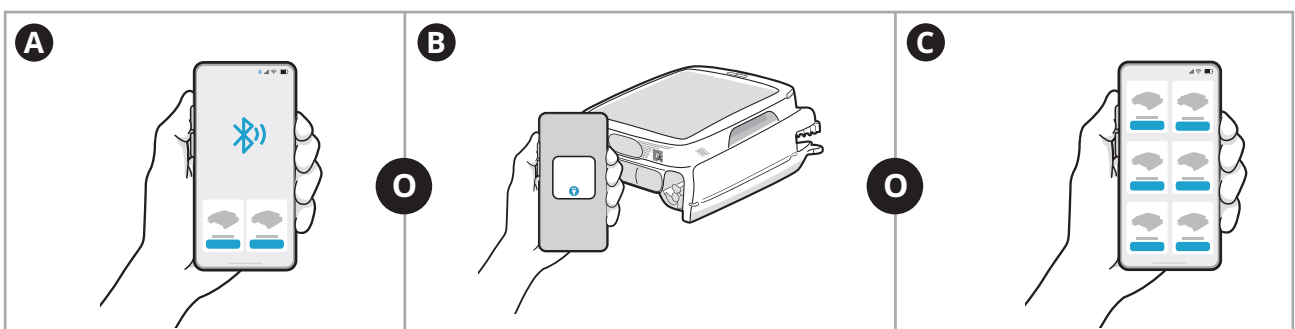
Conexión del robot:

Puede elegir cualquiera de los siguientes métodos para completar la conexión.

A. Añadir por Bluetooth: asegúrese de que el Bluetooth de su teléfono móvil está encendido antes de la conexión. Toque la opción "Añadir dispositivo" en la página de inicio de la APP para buscar automáticamente el modelo de robot y siga las instrucciones de la APP para completar la conexión.

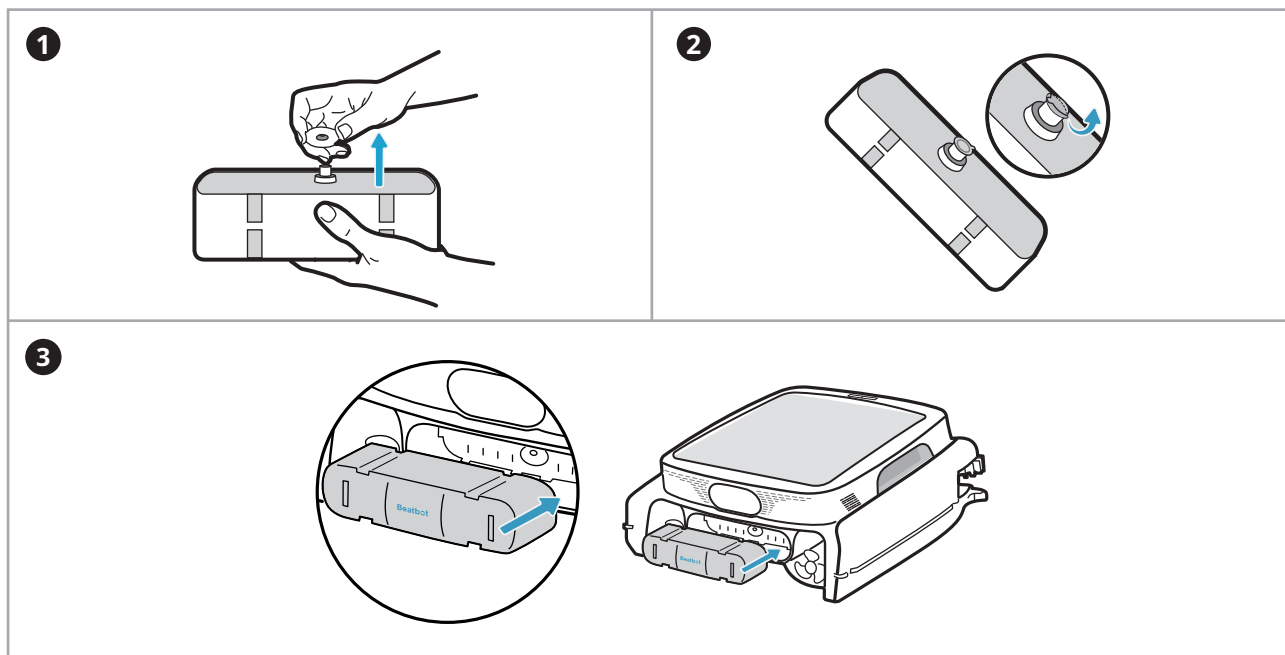
B. Escanear para añadir: toque la opción "Escanear para añadir" en la página de inicio de la APP, apunte la cámara al código QR del robot y siga las instrucciones de la APP para completar la conexión.

C. Incorporación manual: toque la opción "Añadir dispositivo" en la página de inicio de la APP, seleccione el modelo de robot y siga las instrucciones de la APP para completar la conexión.



8.1 Instalación del kit de agente clarificante

- Retire la tapa del kit de agente clarificante.
- Separe la película de aluminio de la interfaz del kit.
- Coloque el kit en el robot con la interfaz orientada hacia abajo y presione hasta oír un "clic".



Sugerencia

Puede consultar la APP para obtener más instrucciones sobre cómo utilizar el kit de agente clarificante.

8.2 Precauciones antes del uso

- Antes de utilizarlo, asegúrese de que tenga suficiente batería.
- Coloque el robot sobre una superficie nivelada antes de encenderlo.
- Antes de limpiar, compruebe que no haya objetos extraños en la piscina, como toallas, juguetes o cuerdas.
- Por favor, apague el sistema de circulación de la piscina antes de limpiar.
- Evite que entren en la piscina animales y personas durante la limpieza.

8.3 Inicio

- Asegúrese de que el robot está encendido antes de usarlo.
- Coloque suavemente el robot en la piscina con ambas manos. A continuación, el robot empezará a limpiar.

8.4 Modo remoto vía APP

Utilice el modo remoto de la aplicación para guiar al robot por la ruta de limpieza. Con este modo activado, tiene la flexibilidad de mover el robot hacia delante, hacia atrás, a la izquierda y a la derecha según sus preferencias.

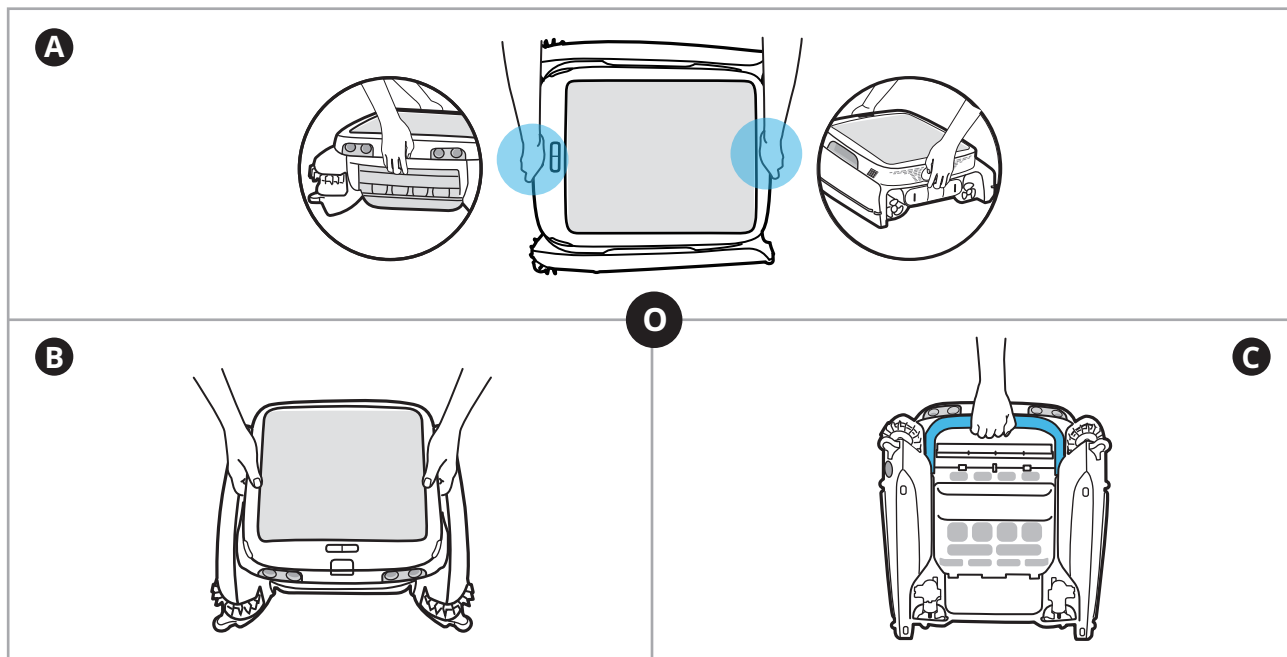
💡 Sugerencias

1. Al utilizar el control remoto, se recomienda permanecer a menos de 15 m del robot para disfrutar de una experiencia óptima.
2. Cuando saque el robot del agua, puede utilizar este modo para guiarlo manualmente hasta el borde de la piscina para sacarlo. También puede esperar a que el robot llegue de forma natural al borde de la piscina y sacarlo.

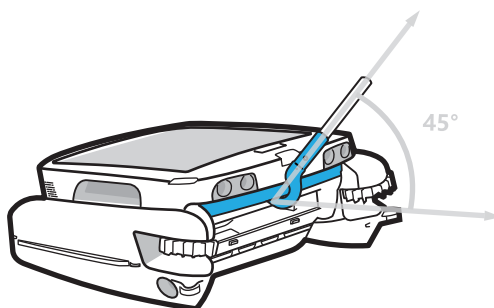
8.5 Consejos para el manejo del robot

Cómo recoger el robot

Hay tres métodos para recoger el robot, tal y como se muestra a continuación:



Cómo utilizar el gancho



💡 Sugerencia

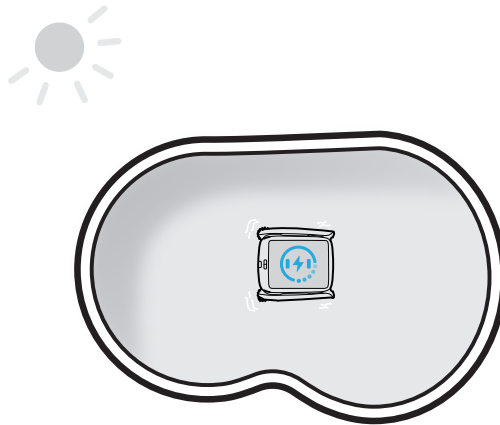
Si el nivel del agua es demasiado bajo para sacar el robot de la piscina con las dos manos, puede utilizar el gancho incluido para acoplarlo al asa delantera del cesto filtrante y sacarlo del agua.

8.6 Carga

Hay dos métodos de carga disponibles. Tenga en cuenta que la carga inalámbrica y la carga solar no pueden utilizarse simultáneamente.

1. Carga solar

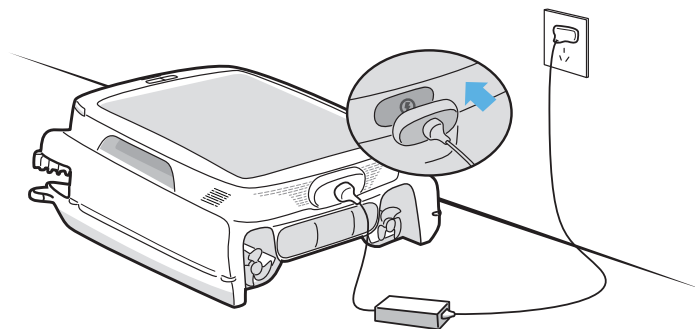
- ⚠ Cuando el robot esté en la piscina, asegúrese de que no haya sombras de árboles o edificios que obstruyan el panel solar para evitar afectar la eficiencia de carga del robot.



💡 Sugerencia

Para una eficacia de carga óptima, asegúrese de que no haya obstáculos que cubran el panel solar. Durante el invierno, cuando la luz solar es más débil, el robot necesita más tiempo de carga y la batería puede no alcanzar su plena capacidad. Asegúrese de que la batería está suficientemente cargada antes de iniciar las operaciones de limpieza.

2. Carga inalámbrica magnética



💡 Sugerencias

1. Una vez finalizada la carga, el cargador puede estar caliente. Evite tocar la superficie de contacto.
2. La temperatura de carga es de 0 ~ 40 °C. Aleje el cargador de la luz solar directa. Si la temperatura es demasiado alta, puede disminuir la eficacia de la carga.
3. Asegúrese de que el cargador está en un lugar seguro, alejado de la electricidad y de zonas húmedas, para evitar descargas y accidentes.

8.7 Información importante sobre la autonomía y la carga durante el otoño y el invierno

Durante el otoño y el invierno, el ángulo de la luz solar directa es poco profundo y las horas de luz son más cortas, lo que reduce la eficacia de la carga solar. En consecuencia, es posible que la batería no alcance la carga completa incluso en días soleados. Tenga en cuenta que el tiempo de funcionamiento del robot será menor que en verano.

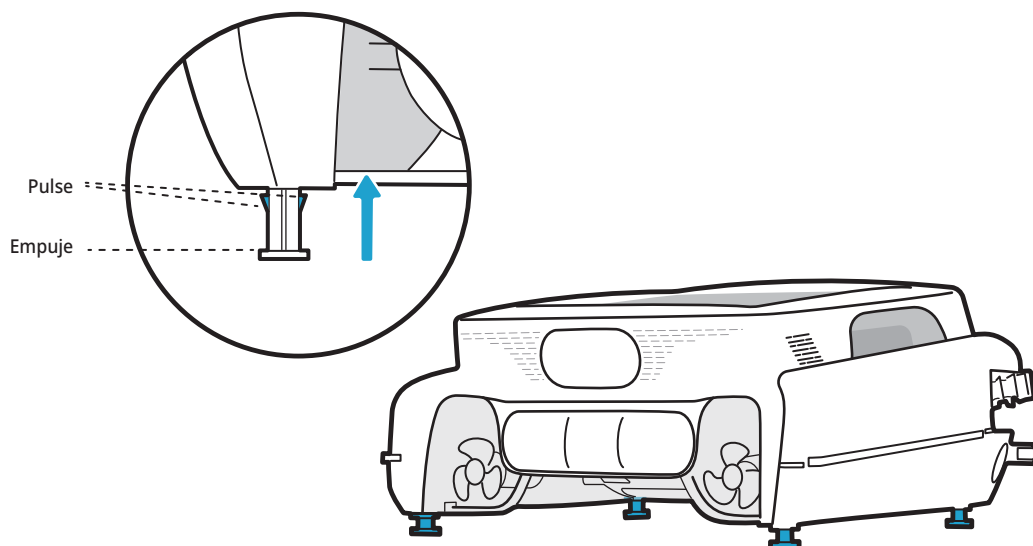
Solución:

1. Utilice el cargador inalámbrico magnético suministrado para cargar el robot.
2. Cuando la temperatura sea inferior a 20 °C, saque el robot de la piscina. Coloque el robot bajo la luz directa del sol. Se recomienda ajustar la posición del robot en función del movimiento del sol para asegurarse de que recibe luz solar directa.

8.8 Utilización de barras antivuelco

Para evitar que el robot se atasque en escaleras poco profundas u otras estructuras de su piscina, puede ajustar las barras antivuelco incorporadas siguiendo estos pasos:

- Tire hacia abajo de las barras antivuelco. Hay 4 barras en total. Ajústelas simultáneamente para mantener el robot equilibrado.
- Para volver a colocar las barras en su alojamiento, empújelas hacia arriba hasta que queden bien encajadas.



💡 Sugerencias

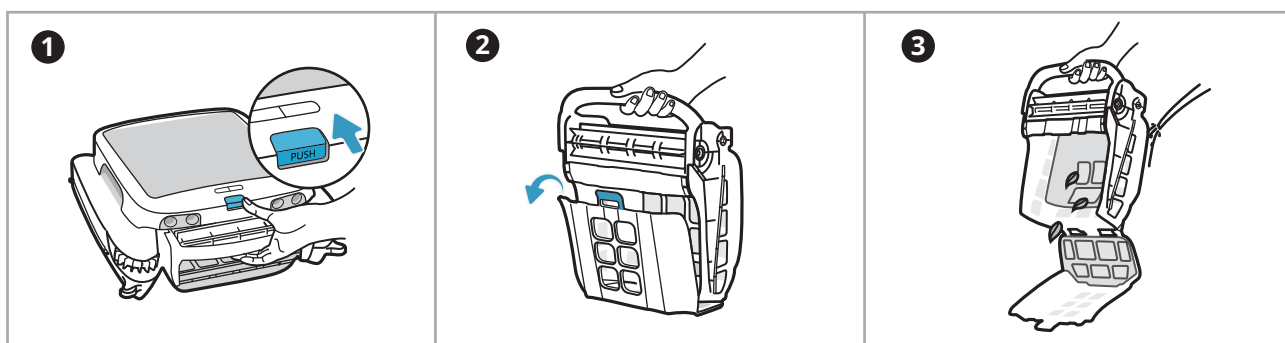
1. Si hay una cuerda flotando en la piscina, no utilice barras antivuelco para evitar que el robot se enrede en ella y no pueda salir.
2. Cuando desplace el robot, no olvide retraer las barras antivuelco.

Asegúrese de que el robot está desconectado de la corriente antes de realizar el mantenimiento.

Cesto filtrante

Limpie el cesto cada 2-3 días o según sea necesario en función de su suciedad para mantener un funcionamiento óptimo.

- Pulse el interruptor del cesto filtrante para extraer el cesto.
- Abra la hebilla y vacíe los residuos.
- Aclare bien la cesta. A continuación, cierre la hebilla y vuelva a introducirla en el robot. Asegúrese de que la instalación es correcta: deberá oír un "clic".



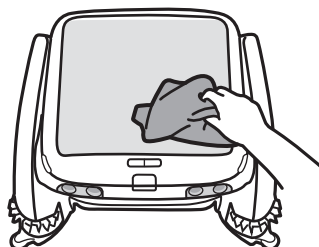
ES

💡 Sugencias

1. Cuando saque el robot del agua, puede utilizar el mando a distancia para guiarlo manualmente o esperar a que llegue al borde de la piscina. Asegúrese de que puede acercarse con seguridad al robot, luego levántelo suavemente de la superficie del agua con ambas manos y proceda a retirar el cesto filtrante.
2. En caso de algas persistentes, utilice un cepillo para limpiarlas.
3. Cuando manipule el robot por el asa del cesto filtrante, evite presionar el interruptor del cesto.

Panel solar

Limpie el panel solar con una manguera o un paño suave y seco para eliminar cualquier residuo.

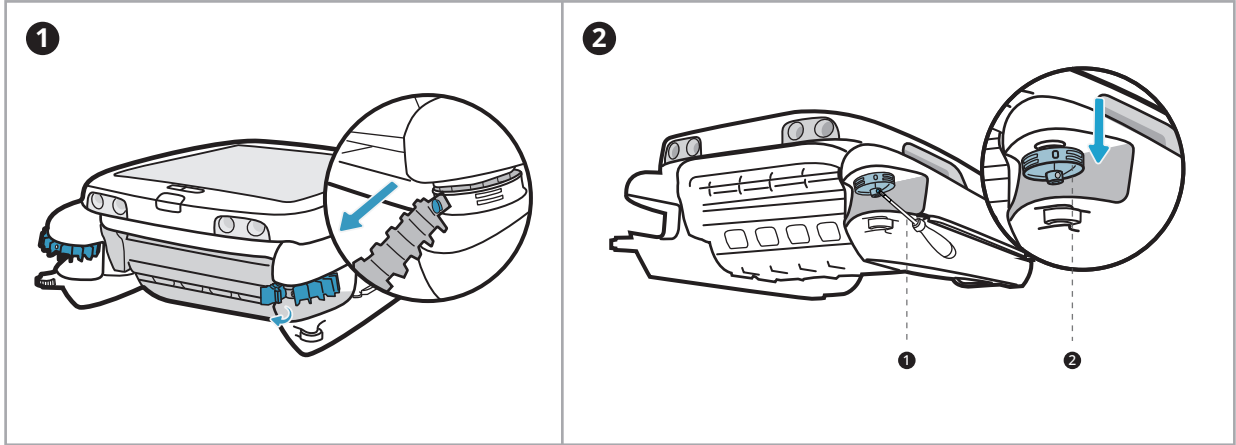


💡 Sugencias

1. Evite utilizar limpiadores de alta presión o cualquier herramienta que pueda rayar la superficie del panel mientras limpia el robot.
2. Tenga cuidado de no golpear ni rayar el panel solar durante el desplazamiento.
3. Cuando el panel solar se expone a una luz solar intensa y prolongada, la temperatura de la superficie aumenta. No lo toque directamente.

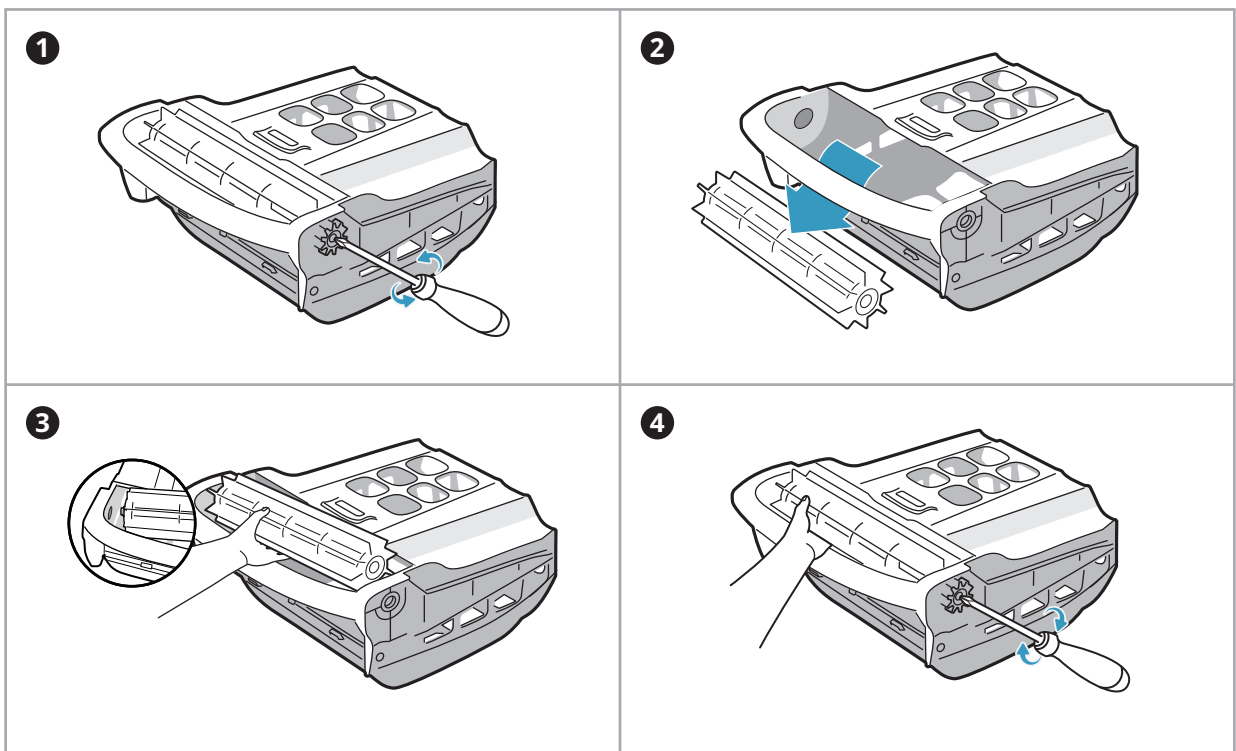
Cepillo lateral

- Desenganche y retire el cepillo lateral.
- Utilice el destornillador suministrado para desenroscar el tornillo inferior y, a continuación, extraiga el cubo. Limpie cualquier enredo antes de volver a instalarlo.



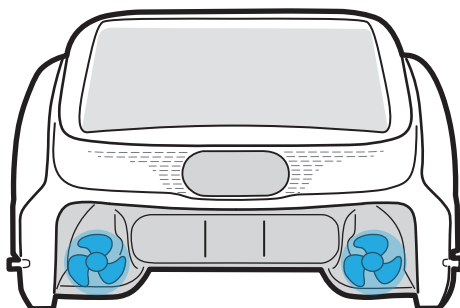
Cepillo de rodillo

- Saque el cesto filtrante. Utilice el destornillador suministrado para desmontar la tuerca.
- Retire el cepillo de rodillo. Y limpie cualquier residuo que haya envuelto el cepillo.
- Vuelva a colocar el cepillo de rodillo en el cesto filtrante.
- Enrosque la tuerca en el sentido de las agujas del reloj para montarlo.



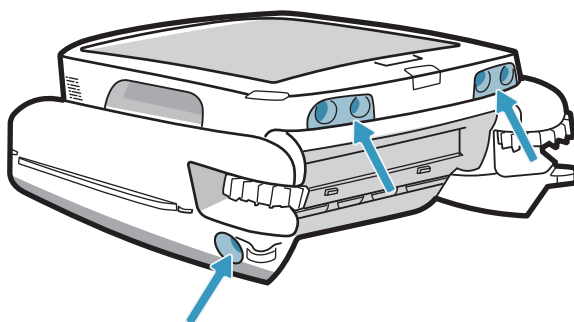
Hélice

Asegúrese de que no hay obstrucciones envueltas alrededor de las hélices para evitar afectar al funcionamiento del robot.



Sensor ultrasónico inteligente

Limpie los sensores con un paño suave y seco para mantenerlos limpios.



10 Almacenamiento

Si tapa la piscina durante el invierno, desmonte el robot y guárdelo siguiendo las instrucciones. Aclare el robot y déjelo secar completamente. Guárdelo en un lugar seco y no sometido a altas temperaturas. Antes de utilizarlo por primera vez en la próxima temporada, compruebe el estado del robot para asegurarse de que esté listo para su uso.

Si encuentra algún problema durante el uso, visite el sitio web oficial/la aplicación para consultar las preguntas frecuentes o comuníquese con nuestro servicio de atención al cliente para obtener ayuda.

Política de garantía	Garantía de 2 años
Correo electrónico de posventa	service@beatbot.com
Sitio web oficial	www.beatbot.com
Llamada gratuita en Norteamérica	(833) 702-4399 Lu-Do 9:00 - 18:00 (CST)

Nuestro robot está diseñado para su uso en agua dulce o en agua salada con una salinidad que no exceda los 5000 PPM. El uso en una piscina de agua salada que exceda los 5000 PPM anulará la garantía.

ES

Información relativa a WEEE

Todos los productos marcados con este símbolo son residuos de aparatos eléctricos y electrónicos (WEEE como en la directiva 2012/19/UE) que no deben mezclarse con residuos domésticos sin clasificar. En cambio, debe proteger la salud humana y el medio ambiente llevando los residuos del equipo a un punto de recogida designado por las autoridades gubernamentales o locales para el reciclado de residuos de aparatos eléctricos y electrónicos. La eliminación y el reciclaje correctos ayudarán a prevenir posibles consecuencias negativas para el medio ambiente y la salud humana. Para obtener más información sobre la localización, así como los términos y condiciones de dichos puntos de recogida, póngase en contacto con el instalador o las autoridades locales.

⚠ WICHTIGE SICHERHEITSANWEISUNGEN

VOR GEBRAUCH ALLE ANWEISUNGEN LESEN

Bei der Installation und Verwendung dieses elektrischen Geräts sollten immer grundlegende Sicherheitsvorkehrungen getroffen werden, einschließlich der folgenden:

WARNUNG: Lesen Sie alle Sicherheitshinweise und Anweisungen. Die Nichtbeachtung der Warnhinweise und Anweisungen kann zu einem Stromschlag, Brand und/oder schweren Verletzungen führen.

1.1 Warnungen und Vorsichtshinweise

- Schwimmen Sie nicht im Pool, wenn der Roboter gerade arbeitet. Nehmen Sie den Roboter aus dem Pool, wenn er nicht genutzt wird, und legen Sie ihn an einen sonnigen Ort zum Aufladen.
- Kinder dürfen nicht mit diesem Gerät spielen. Das Gerät ist kein Spielzeug. Achten Sie darauf, dass Kinder und Haustiere während des Betriebs des Roboters in einem sicheren Abstand gehalten werden.
- Verwenden Sie das Gerät nicht, wenn sich andere Poolreinigungsgерäte im Pool befinden.
- Legen Sie den Roboter zur Lagerung an einen kühlen, trockenen Ort und vermeiden Sie direktes Sonnenlicht. Lassen Sie den Roboter nicht unbeaufsichtigt in heißen Bereichen außerhalb des Pools liegen, um schwere Schäden zu vermeiden.
- Reinigen Sie den Roboter nicht mit einem Hochdruckreiniger, da dies das Gerät beschädigen kann.
- Vermeiden Sie den Einsatz des Roboters bei starkem Wind, starkem Regen oder Gewitter, da dies seine Leistung beeinträchtigen oder Schäden verursachen können.
- Eine unausgewogene chemische Zusammensetzung des Pools kann die Komponenten des Roboters korrodieren lassen oder beschädigen. Verwenden Sie den Roboter nicht, wenn der Pool gerade einer Schockchlorung unterzogen wird. Vermeiden Sie zudem die Verwendung starker chemischer Reinigungsmittel, die die äußere Schicht des Roboters beschädigen könnten.
- Bei regelmäßigem Gebrauch verschleißен die Teile mit der Zeit. Komponenten wie Seitenbürsten und Filter müssen unter Umständen regelmäßig ausgetauscht werden. Befolgen Sie die Anweisungen zur regelmäßigen Reinigung und Wartung, um die Lebensdauer des Roboters zu verlängern. Verwenden Sie die empfohlenen Teile und Ersatzteile, um die optimale Leistung zu gewährleisten.
- Lassen Sie scharfe Gegenstände, welche die Oberfläche des Roboters beschädigen könnten, nicht in die Nähe des Roboters. Bitte achten Sie darauf, den Roboter behutsam bewegen und bedienen sollen, um Schäden durch Fallen oder Stöße zu vermeiden.
- Dieses Gerät kann von Kindern ab 8 Jahren und Personen mit körperli-

chen, sensorischen oder intellektuellen Defiziten oder begrenzter Erfahrung oder Kenntnis unter der Aufsicht eines Elternteils oder Erziehungsberechtigten verwendet werden, um einen sicheren Betrieb zu gewährleisten und jegliche Risiken zu vermeiden. Die Reinigung und Wartung darf nicht von Kindern ohne Aufsicht durchgeführt werden.

- Das Produkt enthält Akkus, die nur von qualifizierten Technikern ausgetauscht werden dürfen. Verändern Sie den Roboter oder den Akku nicht und versuchen Sie nicht, ihn zu reparieren, es sei denn, dies ist in der Bedienungs- und Wartungsanleitung angegeben. Lassen Sie die Wartung von qualifiziertem Reparaturpersonal und nur mit identischen Ersatzteilen durchführen.
- Unter missbräuchlichen Bedingungen kann Batterieflüssigkeit austreten. Vermeiden Sie Kontakt. Bei Kontakt mit Wasser abspülen. Wenn die Flüssigkeit in die Augen gelangt, ist ein Arzt aufzusuchen. Batterieflüssigkeit kann Reizungen oder Verbrennungen verursachen.
- Verwenden Sie keine beschädigten oder veränderten Akkus oder Geräte. Beschädigte oder modifizierte Akkus können ein unvorhersehbares Verhalten zeigen, das zu Feuer, Explosion oder Verletzungsgefahr führen kann.

Verwenden Sie keine Akkus oder

- Ladegeräte von Drittanbietern. Nur mit der vom Hersteller angegebenen Versorgungseinheit RMCF01 verwenden. Wenn das Netzkabel beschädigt ist, muss es durch den Hersteller, seinen Kundendienst oder ähnlich qualifizierte Personen ersetzt werden, um eine Gefährdung zu vermeiden.
- Vergewissern Sie sich, dass der Roboter ausgeschaltet und das Ladegerät ausgesteckt ist, bevor Sie Reinigungs- oder Wartungsarbeiten durchführen.
- Setzen Sie den Akku oder das Gerät keinem Feuer oder zu hohen Temperaturen aus. Bei Feuer oder Temperaturen über 130 °C/265 °F besteht Explosionsgefahr.
- Bei normalem Gebrauch des Geräts sollte ein Abstand von mindestens 20 cm zwischen der Antenne und dem Körper des Benutzers eingehalten werden.
- Schalten Sie den Roboter aus, bevor Sie Wartungsarbeiten, wie z. B. die Reinigung des Filters, durchführen.
- Trennen Sie das Gerät immer von der Stromversorgung, bevor Sie es zusammenbauen, auseinandernehmen oder reinigen.
- Der Roboter ist nicht frostgeschützt und sollte bei Bodenfrost nicht draußen gelassen werden.

1.2 CEC-Modus

Halten Sie die Tasten „Power“ und „Action“ gleichzeitig gedrückt, um den CEC-Modus zu aktivieren. Und drücken Sie eine beliebige Taste, um sie zu deaktivieren.

1.3 FCC/IC-Erklärung

Jegliche Änderungen oder Modifikationen, die nicht ausdrücklich von der für die Einhaltung der Vorschriften verantwortlichen Stelle genehmigt wurden, können dazu führen, dass der Benutzer die Berechtigung zum Betrieb des Geräts verliert. Dieses Gerät wurde getestet und entspricht den Grenzwerten für ein digitales Gerät der Klasse B gemäß Teil 15 der FCC-Vorschriften. Diese Grenzwerte sind so ausgelegt, dass sie einen angemessenen Schutz gegen schädliche Störungen in einer Wohnanlage bieten. Dieses Gerät erzeugt und verwendet Hochfrequenzenergie und kann diese ausstrahlen. Wenn es nicht gemäß den Anweisungen installiert und verwendet wird, kann es schädliche Störungen des Funkverkehrs verursachen. Es kann jedoch nicht garantiert werden, dass bei einer bestimmten Installation keine Störungen auftreten. Wenn dieses Gerät den Radio- oder Fernsehempfang stört, was durch Aus- und Einschalten des Geräts festgestellt werden kann, sollte der Benutzer versuchen, die Störung durch eine oder mehrere der folgenden Maßnahmen zu beheben:

- Richten Sie die Empfangsantenne neu aus oder verlegen Sie sie.
- Vergrößern Sie den Abstand zwischen dem Gerät und dem Empfänger.
- Schließen Sie das Gerät an eine Steckdose eines anderen Stromkreises an als den, an den der Empfänger angeschlossen ist.
- Wenden Sie sich an den Händler oder einen erfahrenen Radio-/Fernsehtechniker, um Hilfe zu erhalten.

1.4 MPE-Anforderungen

Um die Anforderungen der FCC/IC RF-Exposition zu erfüllen, sollte während des Betriebs des Geräts ein Abstand von 20 cm oder mehr zwischen der Antenne dieses Geräts und Personen eingehalten werden. Um die Einhaltung der Vorschriften zu gewährleisten, wird ein Betrieb in einer geringeren Entfernung nicht empfohlen. Bei normalem Gebrauch des Geräts sollte ein Abstand von mindestens 20 cm zwischen der Antenne und dem Körper des Benutzers eingehalten werden.

1.5 Wasserbedingungen für den Robotereinsatz

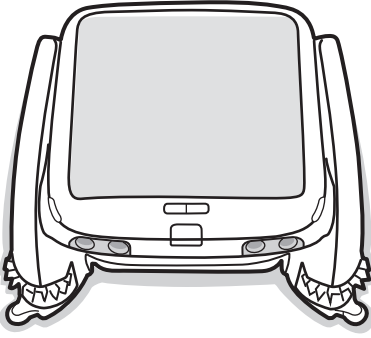



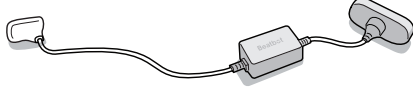
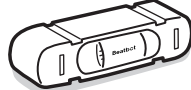

Wassertiefe	≥0,15 m/5,9 Zoll
PH	7,0-7,8
Chlor	Maximal 4 PPM
Salz	Maximal 5000 PPM

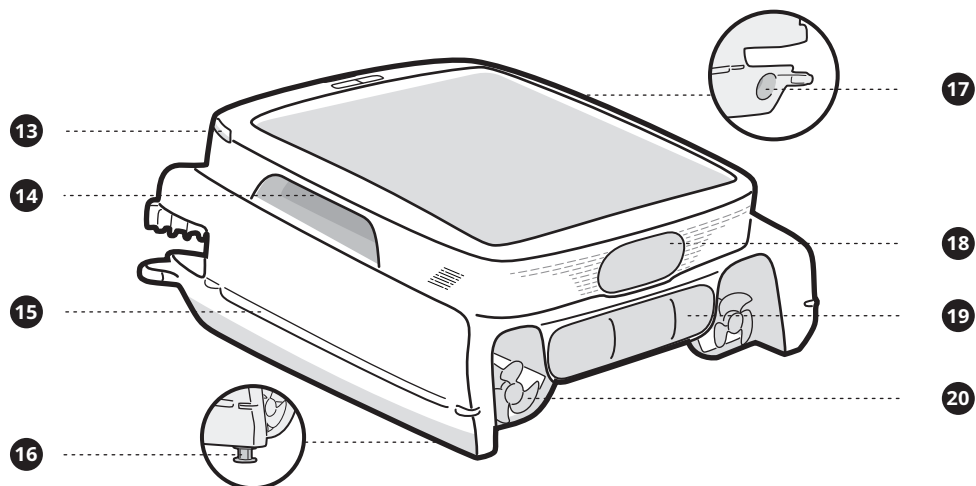
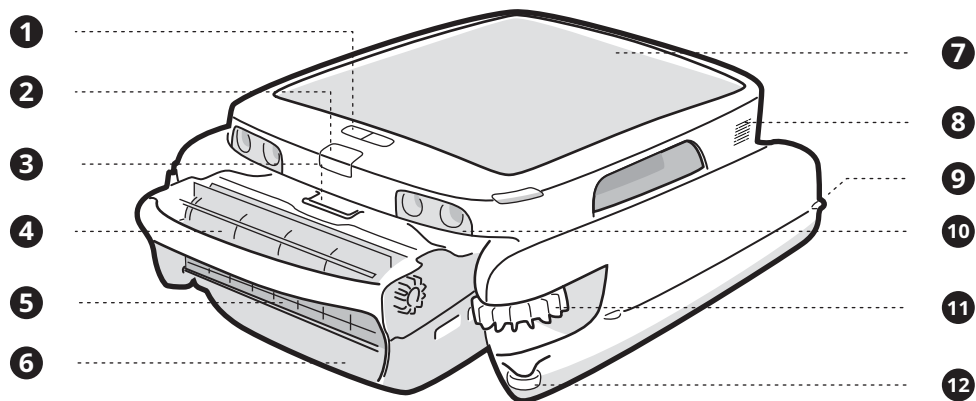
2 Produktspezifikationen

Modell	iSkim Ultra
Elektrizität	7,2 V \approx 10 W
Solarmodulstrom	24 W
Eingang für magnetisches kabelloses Ladegerät	AC 100–240 V 50–60 Hz
Ausgang für magnetisches kabelloses Ladegerät	12 V
Nennkapazität	10 000 mAh
Aufladezeit (Magnetisches kabelloses Ladegerät)	\geq 5 h
Arbeitstemperatur	0-35 °C/32–95 °F
Ladetemperatur	0-40 °C/32–104 °F

DE

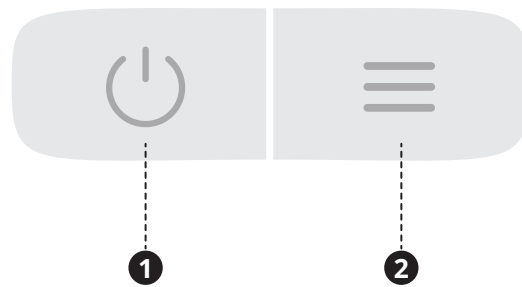
3 Verpackungsinhalt

<p>Poolreinigungsroboter</p> 	<p>Schraubenzieher</p> 
	<p>Schrauben</p> <p>  × 4 Für Walzenbürste </p> <p>  × 4 Für Seitenbürste </p>
	<p>Magnetisches kabelloses Ladegerät</p> 
<p>Klärmittel-Satz</p> 	<p>Haken</p> 









- | | | |
|----------------------|-----------------------------------|-----------------------------------|
| ① Schaltfläche | ⑧ Lautsprecher | ⑮ Dämpferstreifen*2 |
| ② Filterkorbschalter | ⑨ Seitenrad*4 | ⑯ Verhedderungsschutz*4 |
| ③ Schnalle | ⑩ Ultraschallsensor über Wasser*2 | ⑰ Unterwasser-Ultraschallsensor |
| ④ Bürstenrolle | ⑪ Seitenbürste*2 | ⑱ Magnetisches kabelloses Ladepad |
| ⑤ Luke | ⑫ Vorderrad*2 | ⑳ Propeller*2 |
| ⑥ Filterkorb | ⑬ Status-Anzeigeleuchte*2 | |
| ⑦ Solarpanel | ⑭ Griff | |

* Das Diagramm dient nur als Referenz. Das tatsächliche Produkte bietet die höchste Genauigkeit.



- **Power-Taste ①**
Kurzer Tastendruck: Betätigen Sie diese kurz, um den Roboter einzuschalten, zu starten oder den Betrieb zu unterbrechen.
Langer Tastendruck: Halten Sie die Taste 3 Sekunden lang gedrückt, um den Roboter auszuschalten.
- **Aktionstaste ②**
Kurzer Tastendruck: Drücken Sie kurz, um die Ausgabe von Klärmittel zu aktivieren/deaktivieren.
Langer Tastendruck: Halten Sie die Taste 10 Sekunden lang gedrückt, um den Roboter auf Werkseinstellungen zurückzusetzen.
- **Power- + Action-Taste**
Halten Sie die Taste 3 Sekunden lang gedrückt, um den Hotspot des Geräts zu aktivieren.

Grünes Blinklicht		Funktion wird ausgeführt
Blaues Blinklicht		Netzwerk konfigurieren
Rotes Blinklicht		Roboterfehlfunktion
Orangefarbenes Blinklicht		Akku schwach
Violettes Licht		Klärmitteldosierung
Pulsierendes Licht		Wird geladen

○ APP-Download

Sie können entweder den unten stehenden QR-Code scannen oder im App Store oder bei Google Play nach "Beatbot" suchen, um die neueste Version der App herunterzuladen.



○ Roboterverbindung

Bitte überprüfen Sie vor dem Anschließen die folgenden Punkte:

- Vergewissern Sie sich, dass der Roboter eingeschaltet ist;
- Vergewissern Sie sich, dass sich sowohl Ihr Mobiltelefon als auch der Roboter im gleichen WLAN-Abdeckungsbereich befinden und ein starkes Signal haben;
- Vergewissern Sie sich, dass Ihr Telefon mit WLAN verbunden ist und nur das 2,4-GHz-Netz unterstützt;
- Bringen Sie das Telefon in die Nähe des Roboters (der Abstand zwischen Ihrem Telefon und dem Roboter sollte weniger als 1 m betragen).

Hotspot des Geräts aktivieren:

Halten Sie die Tasten „Power“ und „Action“ gleichzeitig etwa 3 Sekunden lang gedrückt. Wenn die Anzeige blau blinkt, ist der Roboter für die Netzwerkeinrichtung bereit.

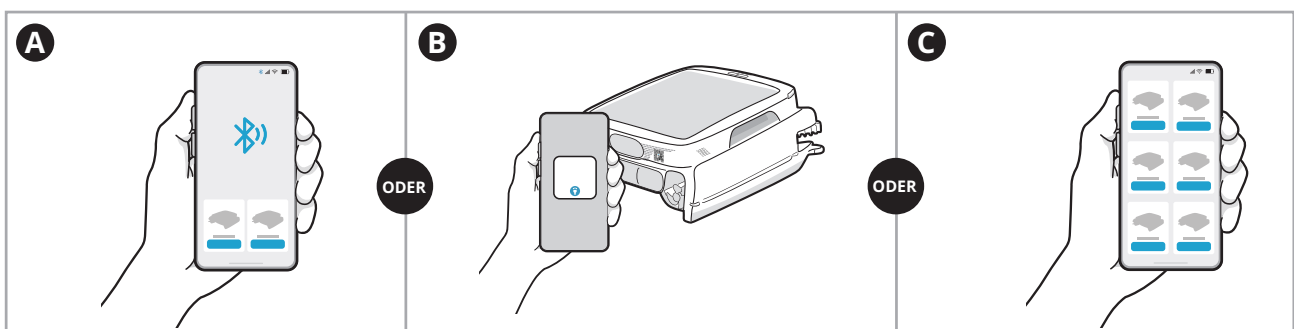
Verbinden Sie sich mit dem Roboter:

Sie können eine der folgenden Methoden wählen, um die Verbindung herzustellen.

A. Über Bluetooth-Verbindung: Vergewissern Sie sich, dass die Bluetooth-Funktion Ihres Mobiltelefons für den Verbindungsaufbau eingeschaltet ist. Tippen Sie auf der Startseite der App auf „Gerät hinzufügen“ und Ihr Robotermodell wird automatisch gesucht. Folgen Sie den Anweisungen der App, um die Verbindung herzustellen.

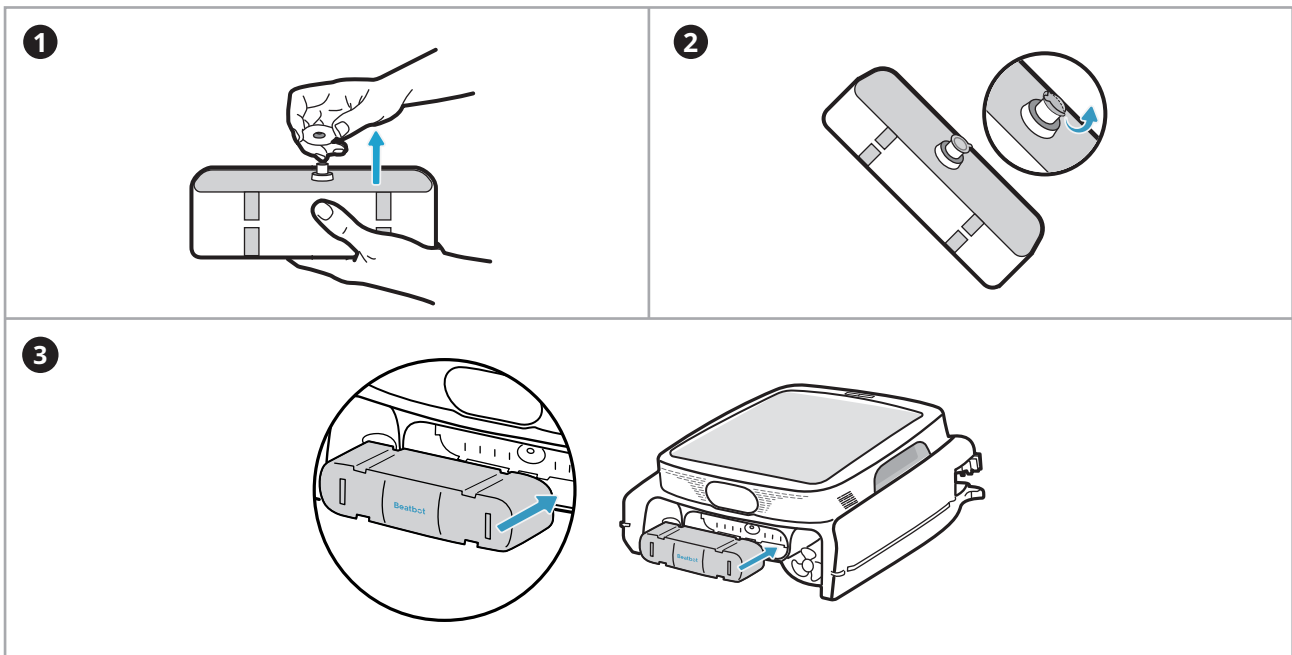
B. Scannen zum Hinzufügen: Tippen Sie auf der Startseite der App auf „Scannen zum Hinzufügen“, richten Sie die Kamera auf den QR-Code des Roboters und folgen Sie den Anweisungen der App, um die Verbindung herzustellen.

C. Manuell hinzufügen: Tippen Sie auf der Startseite der APP auf „Gerät hinzufügen“, wählen Sie Ihr Robotermodell und folgen Sie den Anweisungen der APP, um die Verbindung herzustellen.



8.1 Installation des Klärmittel-Satzes

- Entfernen Sie den Deckel des Klärmittel-Satzes.
- Ziehen Sie die Aluminiumfolie an der Schnittstelle des Satzes ab.
- Setzen Sie den Satz mit der Schnittstelle nach unten auf den Roboter und drücken Sie ihn, bis Sie ein Klicken hören.



Tipp

Weitere Anweisungen zur Verwendung des Klärmittel-Satzes finden Sie in der App.

8.2 Vorsichtsmaßnahmen vor dem Gebrauch

- Bitte vergewissern Sie sich vor der Benutzung, dass die Batterie ausreichend ist.
 - Stellen Sie den Roboter auf eine ebene Fläche, bevor Sie ihn einschalten.
- Vergewissern Sie sich vor der Reinigung, dass sich keine Fremdkörper wie Handtücher, Spielzeug oder Seile im Schwimmbecken befinden.
- Bitte schalten Sie das Poolzirkulationssystem aus, bevor Sie mit der Reinigung beginnen.
 - Darauf achten, dass während der Reinigung weder Menschen noch Tiere in das Schwimmbecken gelangen.

8.3 Start

- Vergewissern Sie sich vor dem Einsatz, dass der Roboter eingeschaltet ist;
- Setzen Sie den Roboter vorsichtig mit beiden Händen in den Pool. Dann beginnt der Roboter mit der Reinigung.

8.4 Fernsteuerungsmodus über App

Nutzen Sie den Fernbedienungsmodus der App, um Ihren Roboter zum Reinigen zu navigieren. Wenn dieser Modus aktiviert ist, können Sie den Roboter nach Belieben vorwärts, rückwärts, links und rechts bewegen.

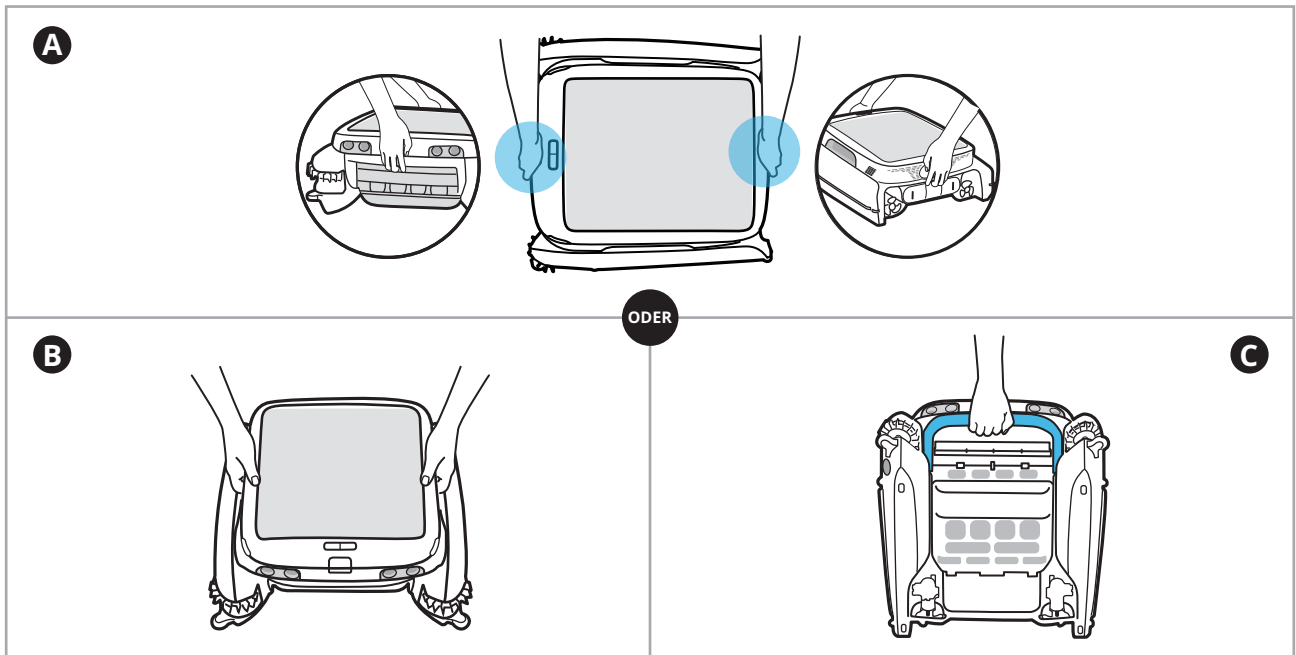
💡 Tipps

1. Wenn Sie die Fernbedienung verwenden, sollten Sie sich nicht weiter als 15 m vom Roboter entfernen, um ein optimales Erlebnis zu haben.
2. Wenn Sie den Roboter aus dem Wasser nehmen, können Sie ihn in diesem Modus manuell an den Beckenrand lenken, um ihn dann herauszuholen. Alternativ können Sie auch warten, bis der Roboter den Beckenrand erreicht hat, und ihn dann herausnehmen.

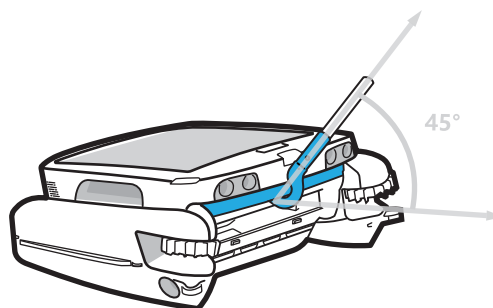
8.5 Tipps zum Umgang mit dem Roboter

So nehmen Sie den Roboter heraus

Es gibt drei Methoden, den Roboter herauszunehmen. Diese finden Sie unten:



Verwendung des Hakens



💡 Tipp

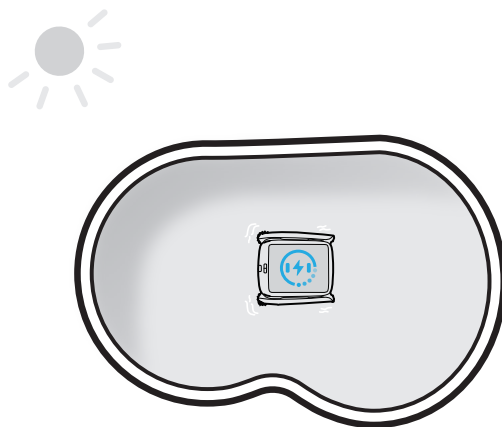
Wenn der Wasserstand zu niedrig ist, um den Roboter mit beiden Händen aus dem Pool zu holen, können Sie den mitgelieferten Haken am vorderen Griff des Filterkorbs eingehaken und den Roboter aus dem Wasser heben.

8.6 Laden

Es gibt zwei Lademethoden. Bitte beachten Sie, dass kabelloses Laden und Solarladen nicht gleichzeitig möglich sind.

1. Solarladen

- ⚠ Wenn sich der Roboter im Pool befindet, stellen Sie bitte sicher, dass keine Schatten von Bäumen oder Gebäuden das Solarpanel verdecken, um die Ladeeffizienz des Roboters nicht zu beeinträchtigen.

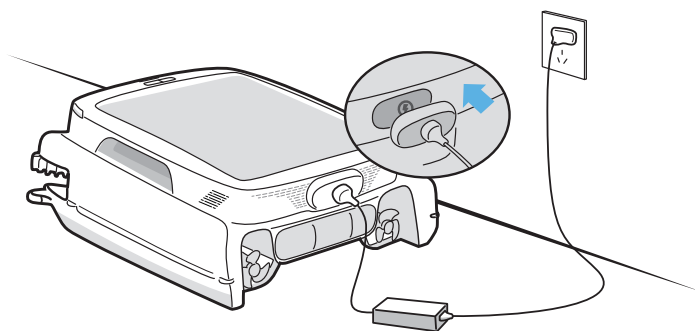


💡 Tipp

Stellen Sie sicher, dass keine Hindernisse das Solarpanel verdecken. So erzielen Sie eine optimale Ladeleistung. Wenn das Sonnenlicht im Winter schwächer ist, benötigt der Roboter mehr Zeit zum Aufladen, und die Batterie erreicht möglicherweise nicht ihre volle Kapazität. Bitte stellen Sie sicher, dass der Akku ausreichend geladen ist, bevor Sie mit der Reinigung beginnen.

DE

2. Magnetisches kabelloses Laden



💡 Tipps

1. Das Ladegerät kann nach dem Ladevorgang heiß sein. Bitte berühren Sie die Kontaktfläche nicht.
2. Die Ladetemperatur beträgt 0 ~ 40 °C / 32~104 °F. Platzieren Sie das Ladegerät vor direkter Sonneneinstrahlung geschützt. Wenn die Temperatur zu hoch wird, kann das zu einer geringeren Ladeeffizienz führen.
3. Achten Sie darauf, dass das Ladegerät an einem sicheren Ort, fern von Elektrizität und nassen Bereichen, gelagert wird, um Stromschläge und Unfälle zu vermeiden.

8.7 Wichtige Informationen zur Laufzeit und zum Aufladen im Herbst und Winter

Der Winkel der direkten Sonneneinstrahlung ist im Herbst und Winter flach, und es gibt weniger Licht pro Tag, wodurch das Solarmodul weniger effizient lädt. Daher kann es vorkommen, dass der Akku auch an sonnigen Tagen nicht voll aufgeladen ist. Bitte beachten Sie, dass die Betriebszeit des Roboters kürzer ist als im Sommer.

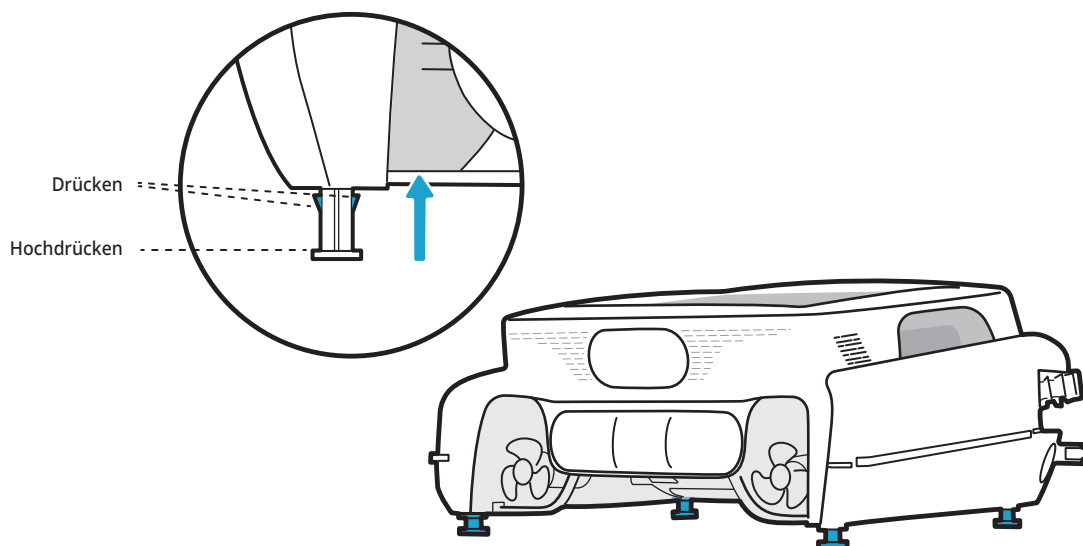
Lösung:

1. Verwenden Sie das magnetische kabellose Ladegerät, um den Roboter aufzuladen.
2. Wenn die Temperatur unter 68 °F (20 °C) liegt, entfernen Sie den Roboter bitte aus dem Pool. Stellen Sie den Roboter in direktes Sonnenlicht. Es wird empfohlen, die Position des Roboters an den Sonnenstand anzupassen, um sicherzustellen, dass direktes Sonnenlicht auf diesen trifft.

8.8 Verwendung des Verhedderungsschutzes

Um zu verhindern, dass der Roboter an flachen Treppen oder anderen Strukturen in Ihrem Pool hängenbleibt, können Sie den eingebauten Verhedderungsschutz mit den folgenden Schritten einstellen:

- Ziehen Sie den Verhedderungsschutz nach unten. Insgesamt gibt es 4 Sicherungen. Bitte setzen Sie sie gleichzeitig ein, um den Roboter im Gleichgewicht zu halten.
- Um die Stangen wieder in ihr Gehäuse einzusetzen, drücken Sie die Stangen nach oben, bis sie sicher einrasten.



💡 Tipps

1. Wenn ein Seil im Pool schwimmt, verwenden Sie bitte nicht den Verhedderungsschutz, um zu verhindern, dass sich der Roboter darin verheddert und nicht mehr herauskommt.
2. Denken Sie daran, den Verhedderungsschutz beim Bewegen des Roboters einzuziehen.

Vergewissern Sie sich, dass der Roboter vor der Durchführung von Wartungsarbeiten von der Stromversorgung getrennt ist.

Filterkorb

Reinigen Sie den Korb alle 2–3 Tage oder nach Bedarf und Verschmutzungsgrad, um eine optimale Leistung zu erhalten.

- Drücken Sie den Filterkorbschalter, um den Korb zu entfernen.
- Öffnen Sie die Schnalle und entfernen Sie den Schmutz.
- Spülen Sie den Korb gründlich aus. Schließen Sie dann die Schnalle und setzen Sie sie wieder in den Roboter ein. Vergewissern Sie sich, dass das Gerät ordnungsgemäß installiert ist, indem Sie auf ein Klicken warten.

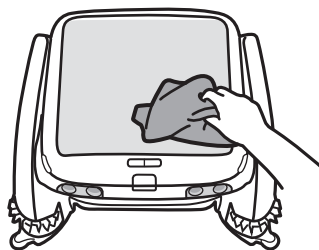


💡 Tipps

1. Beim Herausheben des Roboters aus dem Wasser können Sie entweder die Fernbedienung zur manuellen Steuerung nutzen oder warten, bis der Roboter die Poolwand erreicht. Sorgen Sie dafür, dass Sie den Roboter sicher erreichen können. Heben Sie ihn dann vorsichtig mit beiden Händen aus dem Wasser und nehmen Sie den Filterkorb heraus.
2. Bei hartnäckigen Algen eine Bürste zur Reinigung verwenden.
3. Vermeiden Sie es bitte, den Schalter des Filterkorbs zu drücken, wenn Sie den Roboter am Griff des Filterkorbs anfassen.

Solarpanel

Reinigen Sie das Solarmodul mit einem Schlauch oder einem weichen, trockenen Tuch, um alle Rückstände zu entfernen.

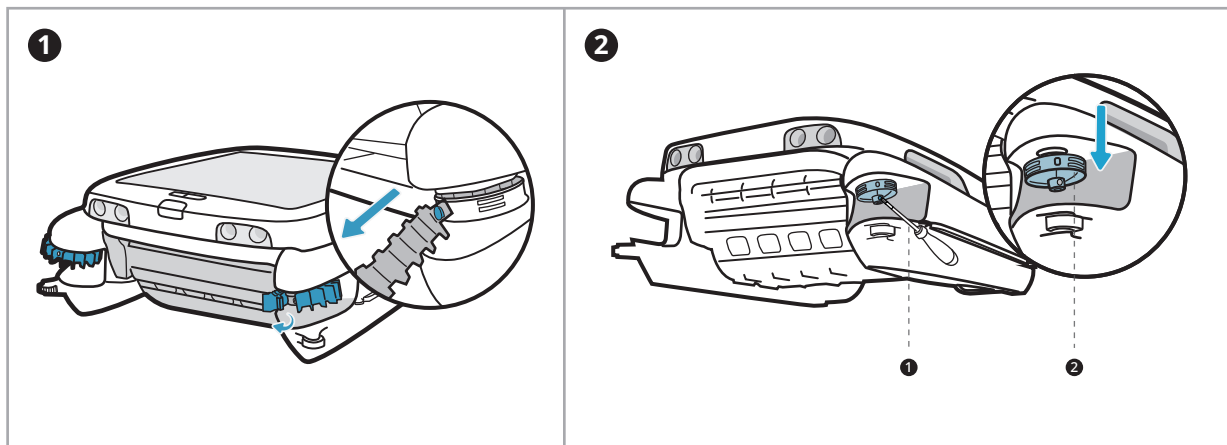


💡 Tipps

1. Vermeiden Sie die Verwendung von Hochdruckreinigern oder anderen Werkzeugen, welche die Oberfläche der Platte während der Reinigung zerkratzen könnten.
2. Achten Sie darauf, dass Sie das Solarmodul beim Transport nicht anstoßen oder zerkratzen.
3. Wenn ein Solarmodul über längere Zeit intensivem Sonnenlicht ausgesetzt ist, steigt die Oberflächentemperatur. Nicht direkt berühren.

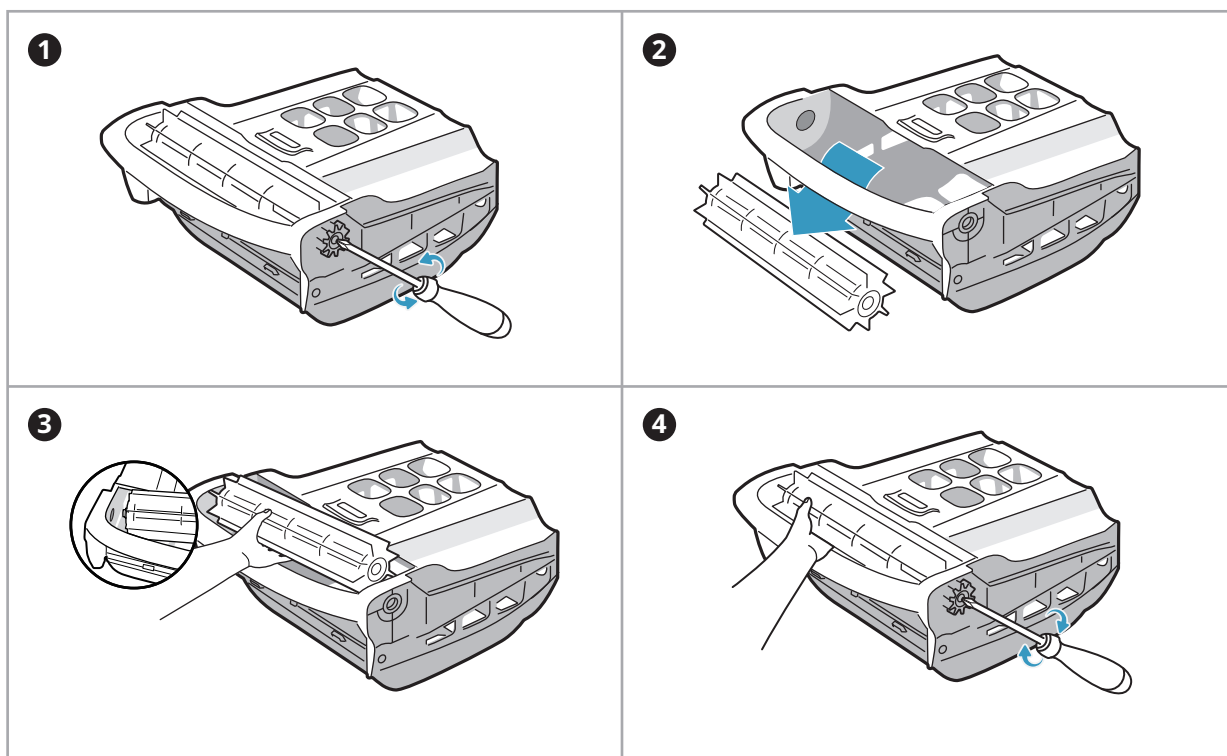
Seitenbürste

- Lösen und entfernen Sie die Seitenbürste.
- Verwenden Sie den mitgelieferten Schraubendreher, um die untere Schraube zu lösen, und ziehen Sie dann die Nabe heraus. Reinigen Sie sie vor dem Wiedereinbau von eventuellen Verwicklungen.



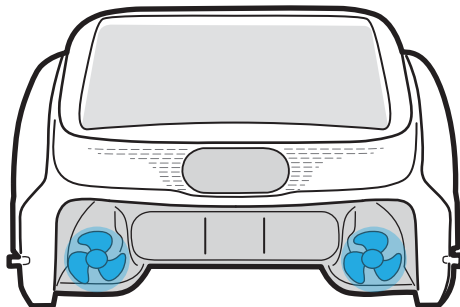
Bürstenrolle

- Entfernen Sie den Filterkorb. Verwenden Sie den mitgelieferten Schraubendreher, um die Mutter zu demontieren.
- Entfernen Sie die Bürstenrolle. Säubern Sie die Bürste von Verschmutzungen, die sich um sie herum angesammelt haben.
- Setzen Sie die Bürstenrolle wieder in den Filterkorb ein.
- Schrauben Sie die Mutter im Uhrzeigersinn an.



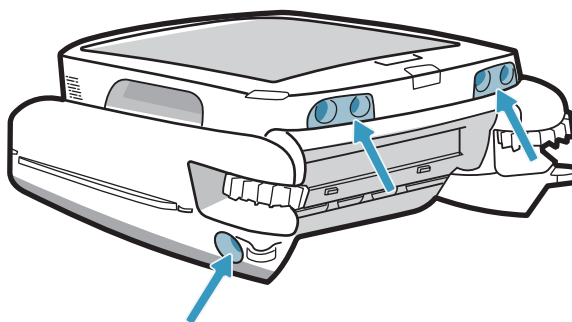
Propeller

Vergewissern Sie sich, dass keine Fremdkörper um die Propeller gewickelt sind, um den Betrieb des Roboters nicht zu beeinträchtigen.



Smarter Ultraschallsensor

Wischen Sie die Sensoren mit einem weichen, trockenen Tuch ab, um sie sauber zu halten.



DE

10 Lagerung

Wenn Sie den Pool im Winter zumachen, nehmen Sie den Roboter heraus und lagern Sie ihn gemäß den Anweisungen. Spülen Sie den Roboter ab und lassen Sie ihn vollständig trocknen. Lagern Sie es in einem trockenen Raum und geschützt vor hohen Temperaturen. Überprüfen Sie den Zustand des Roboters vor dem ersten Einsatz in der nächsten Saison, um sicherzustellen, dass er einsatzbereit ist.

Wenn Sie während der Nutzung auf Probleme stoßen, besuchen Sie bitte die offizielle Website/App, um die FAQ zu überprüfen oder kontaktieren Sie unseren Kundenservice, um Hilfe zu erhalten.

Garantierichtlinie	2 Jahre Garantie
Kundendienst-E-Mail	service@beatbot.com
Offizielle Website	www.beatbot.com
Nordamerika zollfrei	(833) 702-4399 Mo-So 9:00-18:00 Uhr (CST)

Unser Roboter ist für den Einsatz in Süßwasser oder in Salzwasser mit einer Salinität von nicht mehr als 5000 PPM ausgelegt. Die Verwendung in einem Salzwasserpool mit mehr als 5000 PPM führt zum Erlöschen der Garantie.

WEEE-Informationen

Alle Produkte, die dieses Symbol tragen, sind Elektro- und Elektronik-Altgeräte (WEEE wie in der Richtlinie 2012/19/EU), die nicht mit unsortiertem Hausmüll vermischt werden dürfen. Stattdessen sollten Sie die menschliche Gesundheit und die Umwelt schützen, indem Sie Ihre Altgeräte bei einer von der Regierung oder den örtlichen Behörden benannten Sammelstelle für das Recycling von Elektro- und Elektronik-Altgeräten abgeben. Die korrekte Entsorgung und das Recycling tragen dazu bei, mögliche negative Folgen für die Umwelt und die menschliche Gesundheit zu vermeiden. Wenden Sie sich bitte an den Installateur oder die örtlichen Behörden, um weitere Informationen über den Standort und die Bedingungen für solche Sammelstellen zu erhalten.

⚠ ISTRUZIONI DI SICUREZZA IMPORTANTI

LEGGERE TUTTE LE ISTRUZIONI PRIMA DELL'USO

Quando si installa e si usa questa apparecchiatura elettrica, è necessario osservare sempre le precauzioni di sicurezza di base, comprese le seguenti:

AVVERTENZA: leggere tutte le istruzioni e le avvertenze di sicurezza. Il mancato rispetto delle avvertenze e delle istruzioni può causare shock elettrico, incendi e/o lesioni gravi.

1.1 Avvertenze e attenzioni

- Non nuotare quando il robot è in funzione nella piscina. Prelevare il robot dalla piscina quando non in uso e posizionarlo in un'area soleggiata per la ricarica.
- I bambini non devono giocare con il dispositivo. Non è un giocattolo. Assicurarsi che bambini e animali domestici siano tenuti a distanza di sicurezza dal robot mentre è in funzione.
- Non utilizzare se nella piscina sono in funzione altri dispositivi di pulizia.
- Per conservare il robot, posizionarlo in un luogo fresco e asciutto ed evitare i raggi solari diretti. Non lasciare il robot incustodito in aree calde all'esterno della piscina per evitare gravi danni.
- Non lavare il robot con un'idropulitrice, perché potrebbe danneggiare l'apparecchiatura.
- Evitare di utilizzare il robot in presenza di vento forte, pioggia intensa o temporali, poiché queste condizioni meteorologiche possono compromettere le prestazioni o causare danni.
- Una composizione chimica non equilibrata della piscina può corro-

dere o degradare i componenti del robot. Non utilizzare il robot quando la piscina è sottoposta a clorazione shock. Inoltre, durante la pulizia del robot, evitare di utilizzare detergenti chimici aggressivi che potrebbero danneggiare lo strato esterno.

- Le parti nel tempo si usurano naturalmente in seguito all'uso regolare. È probabile che sia necessario sostituire periodicamente componenti come le spazzole laterali e i filtri. Seguire le istruzioni per la pulizia e la manutenzione regolare per prolungare la durata del robot. Utilizzare le parti e i ricambi raccomandati per garantire prestazioni ottimali.
- Tenere lontano da oggetti appuntiti che potrebbero danneggiare la superficie del robot. Si noti che è importante spostare e utilizzare il robot con delicatezza per impedire danni dovuti a cadute o impatti quando si manovra o si utilizza il robot.
- Questo dispositivo può essere utilizzato da bambini di età pari o superiore a 8 anni e da persone con deficit fisici, sensoriali o intellettuali, o con esperienza o conoscenze

limitate, sotto la supervisione di un genitore o di un tutore per garantire un funzionamento sicuro ed evitare qualsiasi rischio. La pulizia e la manutenzione non devono essere eseguite da bambini senza supervisione.

- Questo dispositivo contiene batterie che possono essere sostituite solo da tecnici qualificati. Non modificare o tentare di riparare il robot o la batteria diversamente da quanto indicato nelle istruzioni per l'uso e la cura. Far eseguire la manutenzione da un tecnico qualificato utilizzando solo parti di ricambio identiche.
- In condizioni di uso non corretto, è possibile che il liquido della batteria venga espulso. Evitare il contatto. In caso di contatto, sciacquare con acqua. Se il liquido entra a contatto con gli occhi, rivolgersi a un medico. Il liquido della batteria può causare irritazioni o ustioni.
- Non utilizzare batterie o apparecchi danneggiati o modificati. Le batterie danneggiate o modificate possono avere un comportamento imprevedibile con conseguente incendio, esplosione o rischio di lesioni.
- Non utilizzare batterie o caricatori di terze parti. Utilizzare solo con l'unità di alimentazione RMCF01 specificata dal produttore. Se il cavo di alimentazione è danneggiato, deve essere sostituito dal produttore, dal suo agente di assistenza o da persone

analogamente qualificate, al fine di evitare pericoli.

- Prima di effettuare la pulizia o la manutenzione, accertarsi che il robot sia spento e che il caricatore sia scollegato.
- Non esporre il pacco batteria o l'apparecchio al fuoco o a temperature eccessive. L'esposizione al fuoco o a temperature superiori a 130 °C / 265 °F può causare esplosioni.
- In condizioni d'uso normali, questa apparecchiatura deve essere tenuta a una distanza di almeno 20 cm tra l'antenna e il corpo dell'utente.
- Spegner il robot prima di effettuare la manutenzione da parte dell'utente, come ad esempio la pulizia del filtro.
- Scollegare sempre l'apparecchio dall'alimentazione prima di montarlo, smontarlo o pulirlo.
- Il robot non è protetto dal congelamento e non deve essere lasciato all'aperto durante condizioni in cui l'acqua può gelare.

1.2 Modalità CEC

Per accedere alla modalità CEC tenere premuti contemporaneamente i pulsanti "Alimentazione" e "Azione". E premere qualsiasi pulsante per disattivarla.

1.3 Dichiarazione FCC/IC

Eventuali cambiamenti o modifiche non espressamente approvati dalla parte responsabile della conformità potrebbero invalidare l'autorità dell'utente a utilizzare l'apparecchiatura. Questa apparecchiatura è stata testata ed è risultata conforme ai limiti previsti per i dispositivi digitali di Classe B, ai sensi della parte 15 delle Norme FCC. Questi limiti sono concepiti per fornire una protezione ragionevole contro le interferenze dannose in un'installazione residenziale. Questa apparecchiatura genera, usa e può irradiare energia in radiofrequenza e, se non viene installata e utilizzata secondo le istruzioni, può causare interferenze dannose alle comunicazioni radio. Tuttavia, non è possibile garantire che non si verifichino interferenze in una particolare installazione. Se questa apparecchiatura causa interferenze dannose alla ricezione radiotelevisiva, che possono essere determinate spegnendo e riaccendendo l'apparecchiatura, l'utente è invitato a cercare di correggere l'interferenza utilizzando una o più delle seguenti misure:

- Riorientare o riposizionare l'antenna ricevente.
- Aumentare la distanza tra l'apparecchiatura e il ricevitore.
- Collegare l'apparecchio a una presa di corrente su un circuito diverso da quello a cui è collegato il ricevitore.
- Consultare il rivenditore o un tecnico radiotelevisivo esperto.

1.4 Requisiti MPE

Per soddisfare i requisiti di esposizione alle radiofrequenze FCC/IC, è necessario mantenere una distanza di almeno 20 cm tra l'antenna di questo dispositivo e le persone durante il suo funzionamento. Per garantire la conformità, si sconsiglia il funzionamento a una distanza inferiore a quella indicata.

In condizioni d'uso normali, questa apparecchiatura deve essere tenuta a una distanza di almeno 20 cm tra l'antenna e il corpo dell'utente.

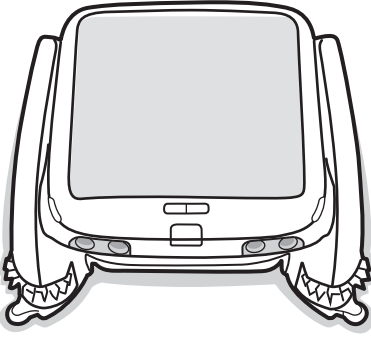


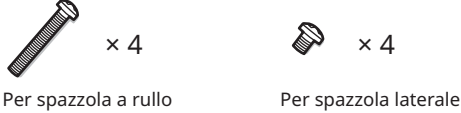
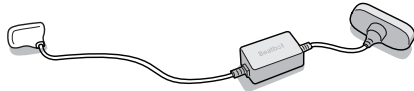

1.5 Condizioni dell'acqua per l'uso del robot

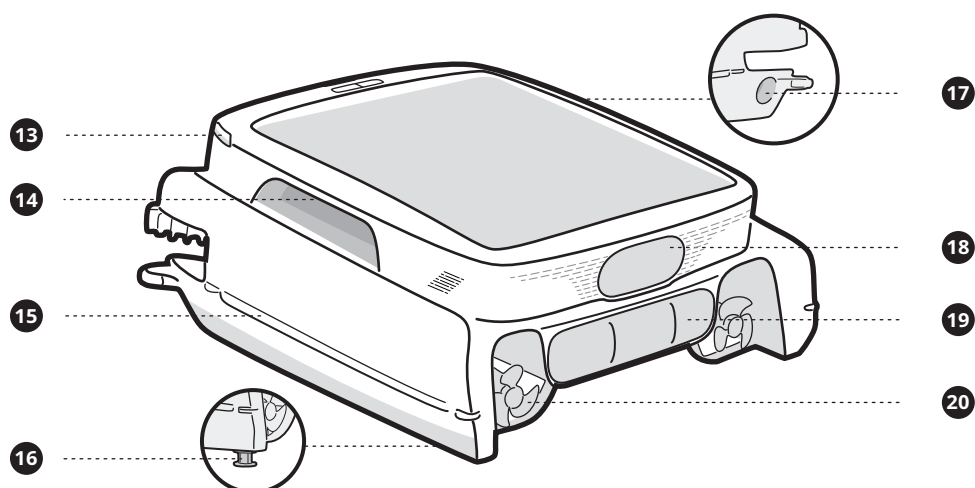
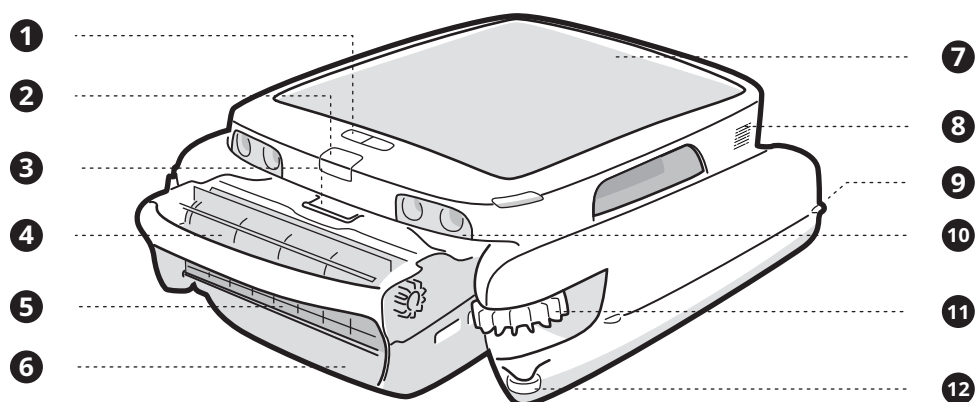
Profondità dell'acqua	≥0,15 m/5,9 pollici
PH	7,0-7,8
Cloro	Max. 4 PPM
Sale	Max. 5000 PPM

2 Specifiche del prodotto

Modello	iSkim Ultra
Corrente elettrica	7,2 V \equiv 10 W
Alimentazione a pannelli solari	24 W
Ingresso caricatore wireless magnetico	CA 100-240 V 50-60 Hz
Uscita caricatore wireless magnetico	12 V
Capacità nominale	10,000 mAh
Tempo di carica (caricatore wireless magnetico)	\geq 5 h
Temperatura di funzionamento	0-35 °C/32-95 °F
Temperatura di ricarica	0-40 °C/32-104 °F

3 Accessori dell'imbballaggio

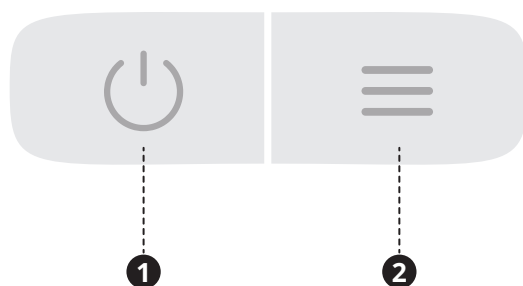
<p>Robot pulitore per piscina</p> 	<p>Cacciavite</p> 
<p>Kit agente chiarificatore</p> 	<p>Viti</p>  <p>× 4 Per spazzola a rullo × 4 Per spazzola laterale</p>
	<p>Caricatore wireless magnetico</p> 
	<p>Gancio</p> 



- | | | |
|--|---|-------------------------------------|
| 1 Pulsante | 8 Altoparlante | 15 Striscia paraurti*2 |
| 2 Interruttore del cestello del filtro | 9 Ruota laterale*4 | 16 Barra anti-incaglio*4 |
| 3 Fibbia | 10 Sensore ultrasonico fuori dall'acqua*2 | 17 Sensore ultrasonico subacqueo |
| 4 Spazzola a rullo | 11 Spazzola laterale*2 | 18 Pad di carica wireless magnetica |
| 5 Portello | 12 Ruota anteriore*2 | 19 Kit agente chiarificatore |
| 6 Cestello del filtro | 13 Luce spia di stato*2 | 20 Elica*2 |
| 7 Pannello solare | 14 Maniglia | |

* Il diagramma serve solo per riferimento. Per informazioni più precise fare riferimento al prodotto effettivo.

5 Funzioni dei pulsanti



- **Pulsante Alimentazione ①**
Breve pressione: premere brevemente per accendere, avviare o sospendere il funzionamento del robot.
Pressione prolungata: tenere premuto per 3 secondi per spegnere il robot.
- **Pulsante Azione ②**
Breve pressione: premere brevemente per attivare/disattivare l'erogazione del chiarificatore.
Pressione prolungata: tenere premuto per 10 secondi per ripristinare le impostazioni di fabbrica.
- **Pulsante Alimentazione + Azione**
Tenere premuto per 3 secondi per attivare l'hotspot del dispositivo.

6 Effetti luminosi

Luce verde lampeggiante		In funzione
Luce blu lampeggiante		Configurazione della rete
Luce rossa lampeggiante		Malfunzionamento del robot
Luce arancio lampeggiante		Batteria in esaurimento
Luce viola fissa		Erogazione del chiarificatore
Luce intermittente		Carica

◦ Scaricare la APP

Puoi scansionare il codice QR qui sotto oppure cercare "Beatbot" nell'App Store o su Google Play per scaricare l'ultima versione dell'app.



◦ Collegamento del robot

Controllare le voci seguenti prima di connettersi:

- Assicurarsi che il robot sia acceso;
- Confermare che il cellulare e il robot si trovino nella stessa area di copertura del Wi-Fi e che il segnale sia potente;
- Assicurarsi che il proprio telefono sia collegato al Wi-Fi, che supporta solo la rete 2,4 GHz;
- Avvicinare il telefono al robot (la distanza tra il telefono e il robot deve essere al massimo di 1 m).

Attivazione hotspot del dispositivo:

Tenere premuti contemporaneamente i pulsanti "Alimentazione" e "Azione" per circa 3s e quando la luce blu dell'indicatore lampeggia, il robot è pronto per la configurazione della rete.

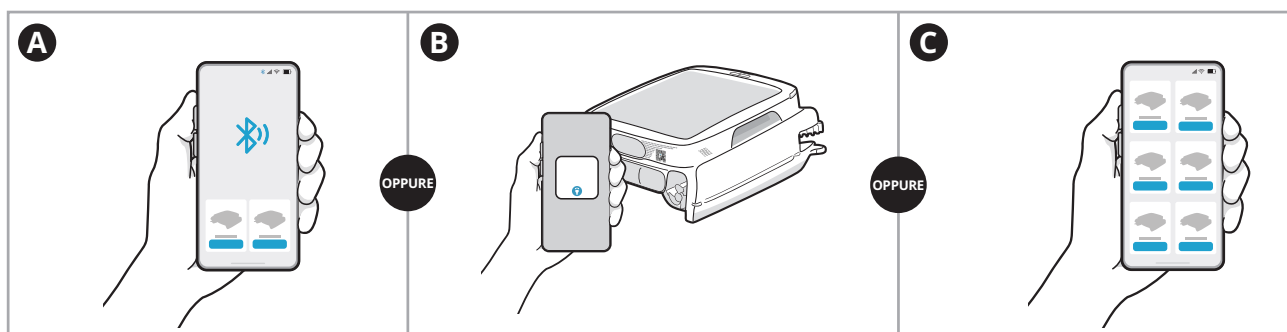
Connettere il robot:

È possibile scegliere uno dei seguenti metodi per completare la connessione.

A. Aggiungi tramite Bluetooth: assicurarsi che il Bluetooth del telefono cellulare sia acceso prima della connessione. Toccare "Aggiungi dispositivo" nella home page dell'APP per avviare la ricerca automatica del modello di robot e seguire le istruzioni dell'APP per completare la connessione.

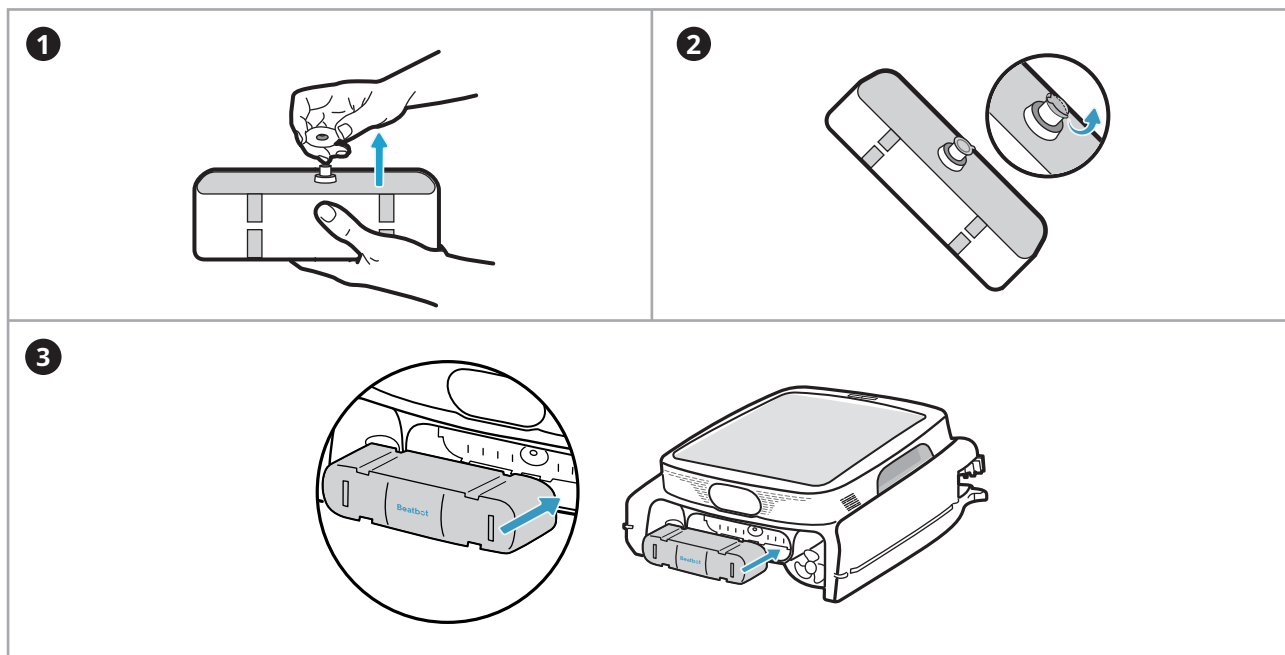
B. Scansiona per aggiungere: toccare "Scansiona per aggiungere" sulla home page dell'APP, puntare la fotocamera sul codice QR sul lato del robot e seguire le istruzioni dell'APP per completare la connessione.

C. Aggiunta manuale: toccare "Aggiungi dispositivo" nella home page dell'APP, scegliere il modello di robot e seguire le istruzioni dell'APP per completare la connessione.



8.1 Installazione del kit agente chiarificatore

- Rimuovere il tappo del kit agente chiarificatore.
- Strappare la pellicola di alluminio sull'interfaccia del kit.
- Installare il kit sul robot con l'interfaccia rivolta verso il basso e premere fino a sentire un "clic".



Suggerimento

Per ulteriori istruzioni su come utilizzare il kit agente chiarificatore è possibile consultare l'APP.

8.2 Precauzioni prima dell'uso

- Prima dell'uso, accertarsi che il livello di carica della batteria sia sufficiente.
- Prima dell'accensione posizionare il robot su una superficie piana.
- Prima della pulizia, accertarsi che non vi siano oggetti estranei come asciugamani, giocattoli o cordini nella piscina.
- Prima della pulizia, spegnere il sistema di circolazione della piscina.
- Impedire ad animali e persone di entrare in piscina durante la pulizia.

8.3 Avvio

- Assicurarsi che il robot sia acceso prima dell'uso.
- Posizionare delicatamente il robot nella piscina con entrambe le mani. A questo punto, il robot inizierà a pulire.

8.4 Modalità da remoto tramite APP

Utilizzare la funzione Modalità da remoto dell'App per guidare il robot lungo il suo percorso di pulizia. Con questa modalità attivata, è possibile spostare il robot in avanti, indietro, a sinistra e a destra in base alle proprie preferenze.

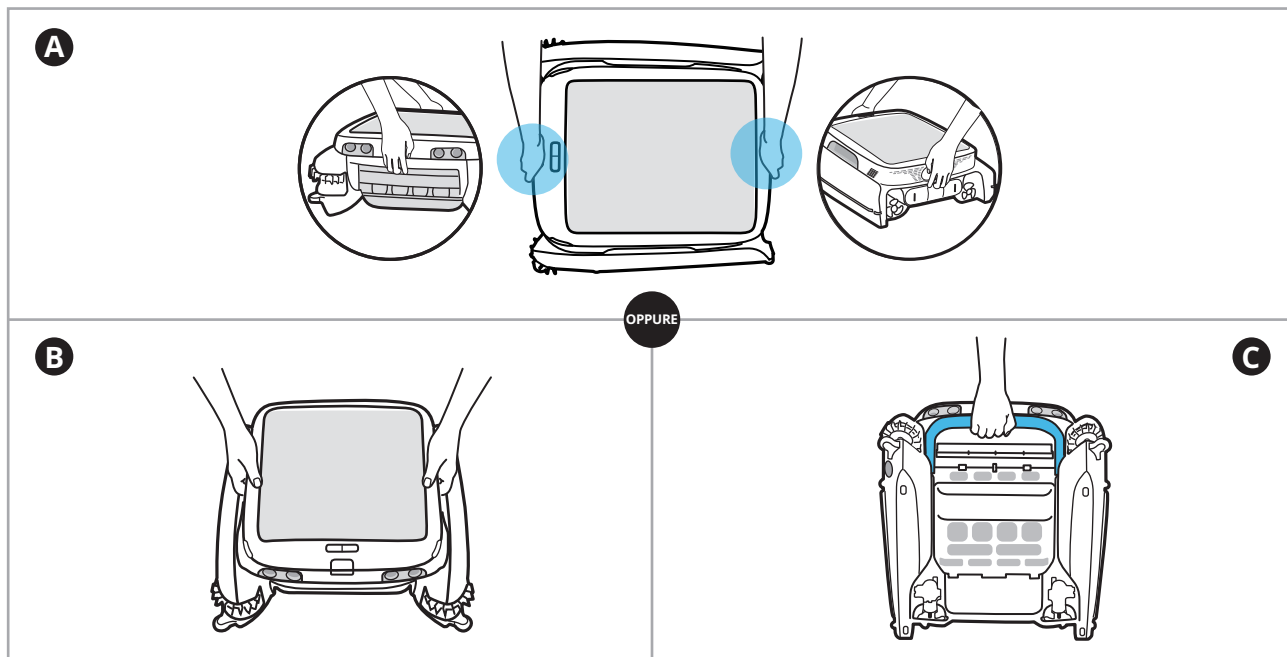
Suggerimenti

1. Quando si utilizza il telecomando, si consiglia di rimanere entro 15 m dal robot per prestazioni ottimali.
2. Quando si rimuove il robot dall'acqua, è possibile utilizzare questa modalità per guidarlo manualmente fino al bordo della piscina per il recupero. In alternativa, si può aspettare che il robot raggiunga normalmente il bordo della piscina e poi sollevarlo.

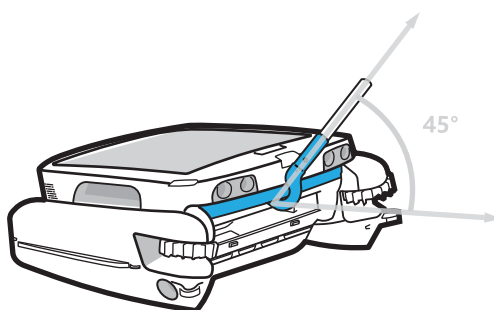
8.5 Suggerimenti per la gestione del robot

Come prelevare il robot

Esistono tre metodi per prelevare il robot, come illustrato di seguito:



Come usare il gancio




Suggerimento

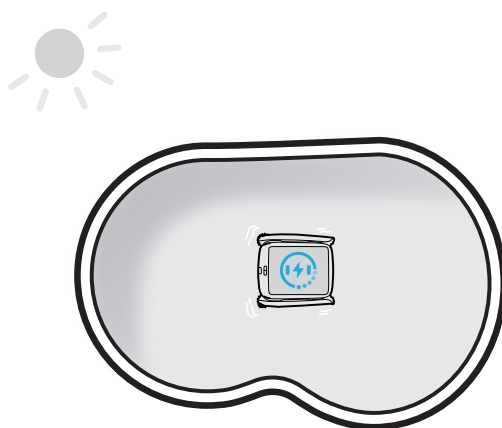
Quando il livello dell'acqua è troppo basso per recuperare il robot dalla piscina con entrambe le mani, è possibile utilizzare il gancio in dotazione per afferrare la maniglia anteriore del cestello del filtro e sollevarlo dall'acqua.

8.6 Carica

Sono disponibili due metodi di ricarica. Si noti che la ricarica wireless e la ricarica solare non possono essere utilizzate contemporaneamente.

1. Ricarica solare

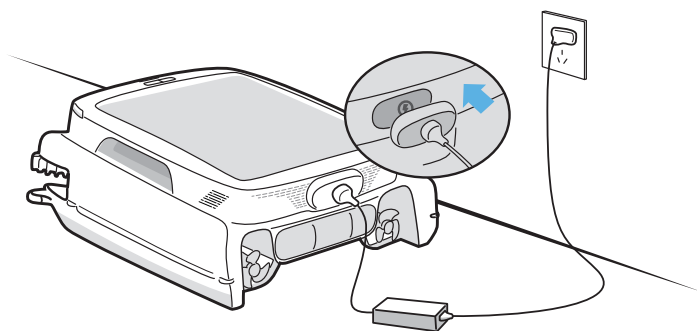
 Quando il robot è in piscina, assicurarsi che non ci siano ombre di alberi o edifici che ostruiscano il pannello solare per evitare di influire sull'efficienza di carica del robot.



Suggerimento

Per un'efficienza di ricarica ottimale, assicurarsi che non vi siano ostacoli che coprano il pannello solare. In inverno, quando la luce del sole è più debole, il robot richiede un tempo di ricarica maggiore e la batteria potrebbe non raggiungere la piena capacità. Assicurarsi che la batteria sia sufficientemente carica prima di iniziare le operazioni di pulizia.

2. Ricarica wireless magnetica



Suggerimenti

1. Dopo aver completato la carica, il caricatore potrebbe essere surriscaldato. Evitare di toccarne la superficie.
2. La temperatura di carica è 0~40 °C / 32~104 °F. Sistemare il caricatore lontano dai raggi solari diretti. Se la temperatura diventa troppo alta, l'efficienza di carica può diminuire.
3. Assicurarsi che il caricatore si trovi in un luogo sicuro, lontano da corrente elettrica e zone umide, per evitare scosse elettriche e incidenti.

8.7 Informazioni importanti sul tempo di funzionamento e sulla ricarica in autunno e in inverno

In autunno e in inverno l'angolo della luce solare diretta è più basso e le ore di luce sono più brevi, il che comporta una minore efficienza della carica solare. Di conseguenza, la batteria potrebbe non raggiungere la carica completa anche nelle giornate di sole. Tenete presente che il tempo di funzionamento del robot sarà più breve rispetto all'estate.

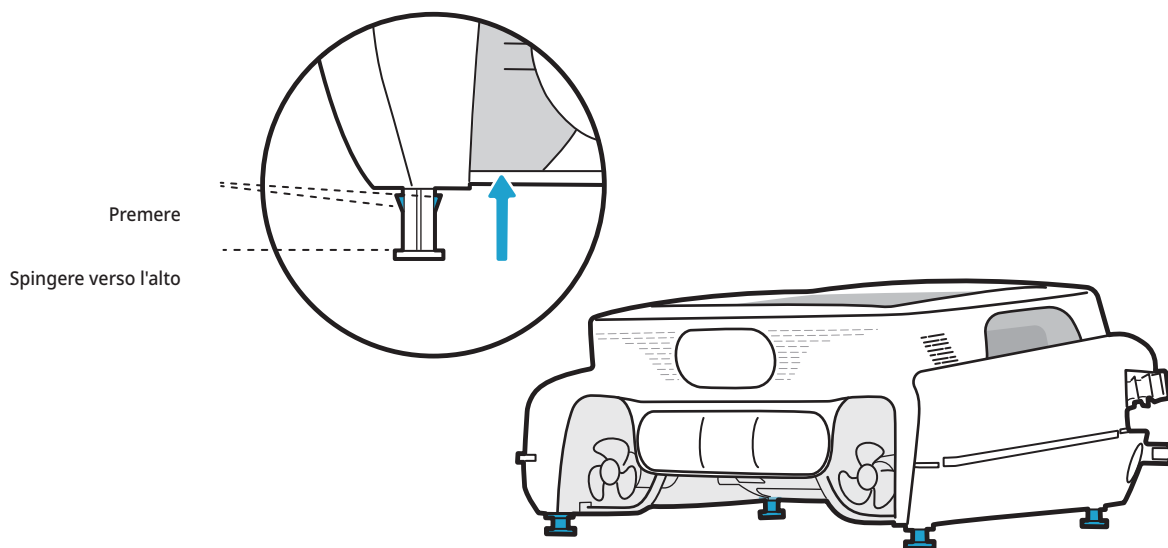
Soluzione:

1. Utilizzare il caricatore wireless magnetico per caricare il robot.
2. Quando la temperatura è inferiore a 68 °F (20 °C), rimuovere il robot dalla piscina. Posizionare il robot esposto direttamente ai raggi solari. Si consiglia di regolare la posizione del robot in base allo spostamento del sole per assicurarsi che riceva la luce solare diretta.

8.8 Uso delle barre anti-incaglio

Per evitare che il robot si incastri contro i gradini bassi o contro altre strutture della piscina, è possibile regolare le barre anti-incaglio eseguendo i seguenti passaggi:

- Abbassare le barre anti-incaglio. In totale le barre sono 4. Regolarle contemporaneamente per mantenere il robot in equilibrio.
- Per riportare le barre nel loro alloggiamento, spingerle verso l'alto finché non si bloccano in posizione.



💡 Suggerimenti

1. Quando nella piscina è presente una corda che galleggia, non utilizzare le barre anti-incaglio per evitare che il robot vi rimanga impigliato e non riesca a uscire.
2. Quando si sposta il robot, ricordarsi di ritirare le barre anti-incaglio.

Assicurarsi che il robot sia scollegato dall'alimentazione prima di eseguire la manutenzione.

Cestello del filtro

Pulire il cestello ogni 2-3 giorni o secondo le necessità in funzione della sporcizia presente per preservare l'efficienza di funzionamento ottimale.

- Premere l'interruttore del cestello del filtro per rimuovere il cestello.
- Aprire la fibbia e svuotare i residui.
- Sciacquare accuratamente il cestello. Quindi, chiudere la fibbia e reinserirla nel robot. Se viene emesso un "clac" l'installazione è corretta.



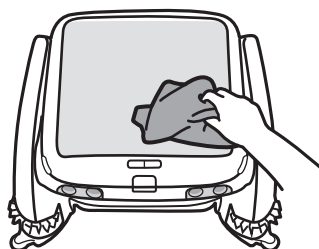
IT

💡 Suggerimenti

1. Quando si recupera il robot dall'acqua, si può utilizzare il telecomando per condurlo manualmente o attendere che raggiunga il bordo della piscina. Accertarsi di potersi avvicinare la robot, quindi sollevarlo e prelevarlo dalla superficie dell'acqua con entrambe le mani e rimuovere il cestello del robot.
2. In caso di presenza persistente di alghe, utilizzare una spazzola per la pulizia.
3. Quando si manovra il robot dalla maniglia del cestello del filtro, evitare di premere l'interruttore del cestello del filtro.

Pannello solare

Pulire il pannello solare utilizzando un tubo o un panno morbido e asciutto per rimuovere eventuali residui.

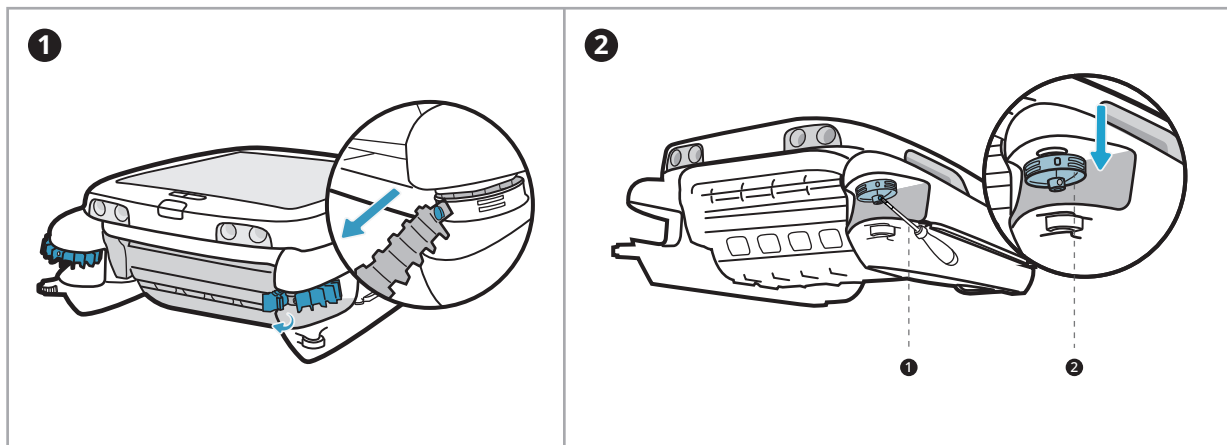


💡 Suggerimenti

1. Evitare l'uso di idropultrici o di strumenti che possano graffiare la superficie del pannello durante la pulizia del robot.
2. Fare attenzione a non urtare o graffiare il pannello solare durante gli spostamenti.
3. Quando il pannello solare è esposto a una luce solare intensa e prolungata, la temperatura superficiale aumenta. Non toccarlo direttamente.

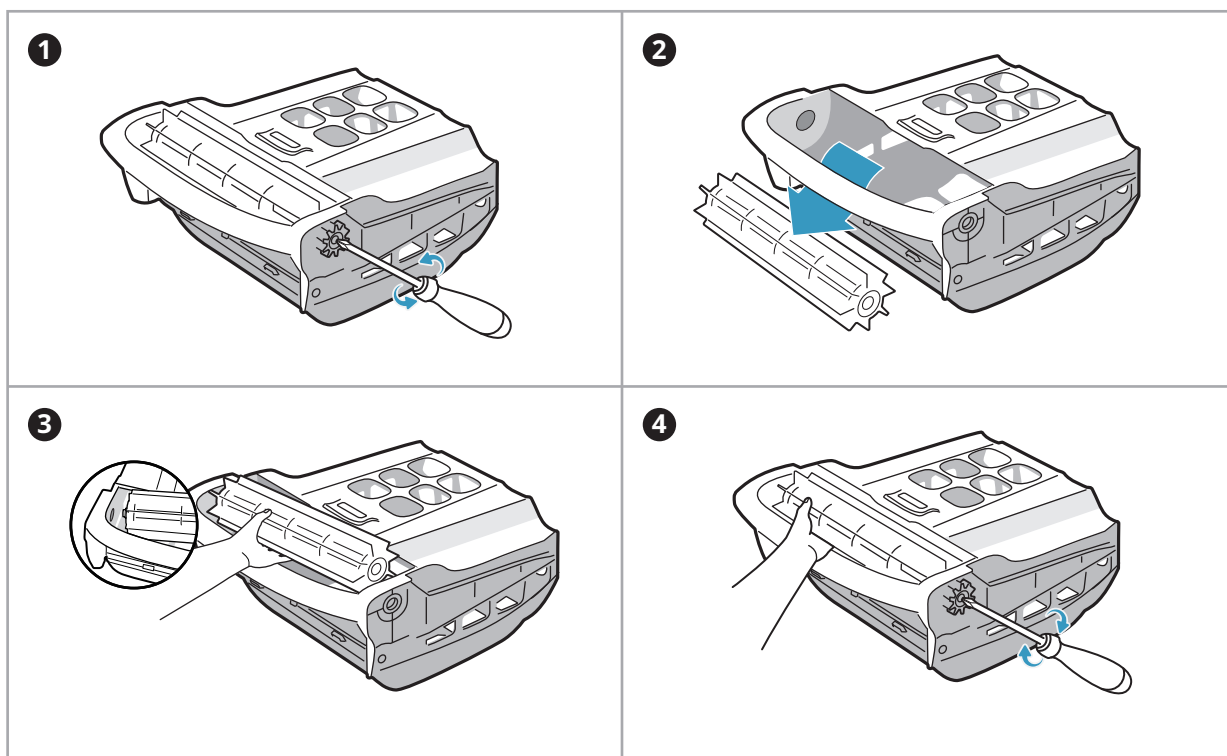
Spazzola laterale

- Sganciare e rimuovere la spazzola laterale.
- Utilizzare il cacciavite in dotazione per svitare la vite inferiore, quindi estrarre il mozzo. Prima di reinstallarlo, pulirlo da eventuali grovigli.



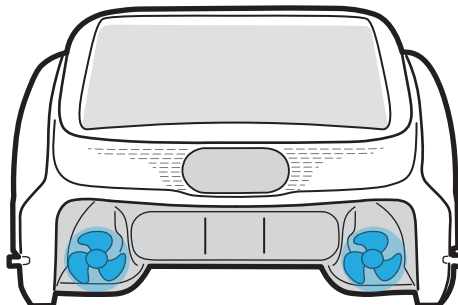
Spazzola a rullo

- Rimuovere il cestello del filtro. Per smontare il dado, utilizzare il cacciavite in dotazione.
- Rimuovere la spazzola a rullo. Pulire i detriti avvolti intorno alla spazzola.
- Reinstallare la spazzola a rullo sul cestello del filtro.
- Avvitare il dado in senso orario per assemblarlo.



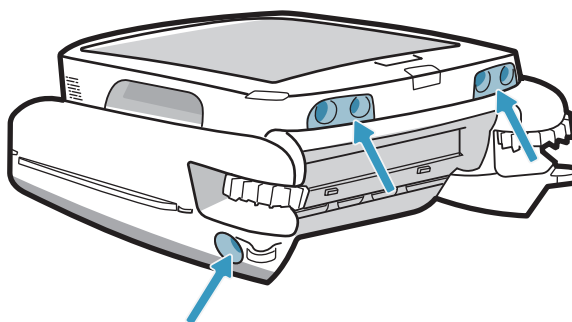
Elica

Assicurarsi che non vi siano ostacoli avvolti intorno alle eliche per evitare di compromettere il funzionamento del robot.



Sensore intelligente a ultrasuoni

Pulire i sensori con un panno morbido e asciutto per mantenerli puliti.



IT

10 Conservazione

Se in inverno non si utilizza la piscina, prelevare il robot e conservarlo secondo le istruzioni. Sciacquare il robot e lasciarlo asciugare completamente. Conservarlo al chiuso, in un luogo asciutto e al riparo dalle alte temperature. La successiva stagione, prima di utilizzarlo per la prima volta, controllare le condizioni del robot per assicurarsi che sia pronto all'uso.

Se riscontri problemi durante l'utilizzo, visita il sito web ufficiale/l'app per controllare le FAQ o contatta il nostro servizio clienti per assistenza.

Politica sulla garanzia	Garanzia di 2 anni
E-mail Servizio di assistenza post-vendita	service@beatbot.com
Sito internet ufficiale	www.beatbot.com
Numero verde America settentrionale	(833) 702-4399 Lun-Ven 9:00-18:00 (CST)

Il nostro robot è progettato per l'uso in acqua dolce o in acqua salata con una salinità che non superi i 5000 PPM. L'uso in una piscina di acqua salata che superi i 5000 PPM annullerà la garanzia.

Informazioni RAEE

Tutti i prodotti contrassegnati da questo simbolo sono rifiuti di apparecchiature elettriche ed elettroniche (RAEE come da direttiva 2012/19/UE) che non devono essere mescolati con i rifiuti domestici indifferenziati. Per proteggere la salute umana e l'ambiente, invece, è necessario consegnare i rifiuti di apparecchiature a un punto di raccolta designato dal governo o dalle autorità locali per il riciclaggio dei rifiuti di apparecchiature elettriche ed elettroniche. Lo smaltimento e il riciclaggio corretti contribuiranno a prevenire potenziali conseguenze negative per l'ambiente e la salute umana. Per ulteriori informazioni sull'ubicazione e sui termini e le condizioni di tali punti di raccolta, contattare l'installatore o le autorità locali.

Beatbot